

# HP DECnet-Plus for OpenVMS

---

## Installation and Configuration

Part Number: BA406-90007

**June 2006**

This book explains how to install and configure the HP DECnet-Plus for OpenVMS software (including X.25 for OpenVMS VAX and the optional OSI applications software component). It also explains how to install the HP X.25 for OpenVMS software on OpenVMS I64 and OpenVMS Alpha systems.

<b>Revision/Update Information:</b>	This manual supersedes <i>DECnet-Plus for OpenVMS Installation and Configuration</i> (BA406-90001)
<b>Operating Systems:</b>	OpenVMS I64 Version 8.3 OpenVMS Alpha Version 8.3
<b>Software Version:</b>	HP DECnet-Plus for OpenVMS Version 8.3

**Hewlett-Packard Company**  
**Palo Alto, California**

© Copyright 2006 Hewlett-Packard Development Company, L.P.

Confidential computer software. Valid license from HP required for possession, use, or copying. Consistent with FAR 12.211 and 12.212, Commercial Computer Software, Computer Software Documentation, and Technical Data for Commercial Items are licensed to the U.S. Government under vendor's standard commercial license.

The information contained herein is subject to change without notice. The only warranties for HP products and services are set forth in the express warranty statements accompanying such products and services. Nothing herein should be construed as constituting an additional warranty. HP shall not be liable for technical or editorial errors or omissions contained herein.

Intel and Itanium are trademarks or registered trademarks of Intel Corporation or its subsidiaries in the United States and other countries.

UNIX is a registered trademark of The Open Group.

Printed in the US

---

# Contents

<b>Preface</b> .....	xiii
----------------------	------

## **Part I Installing DECnet-Plus for OpenVMS**

### **1 Preparing to Install DECnet-Plus for OpenVMS**

1.1	Locating the Distribution Kit .....	1-1
1.2	Accessing the Online Release Notes .....	1-2
1.3	Time Required for Installation and Configuration .....	1-3
1.4	Required Hardware .....	1-3
1.5	Prerequisite Software .....	1-3
1.5.1	Checking the Operating System Version .....	1-3
1.5.2	DECnet and OSI Applications over TCP/IP .....	1-3
1.6	License Requirements .....	1-4
1.6.1	Checking Licenses .....	1-4
1.7	System Requirements .....	1-5
1.7.1	Disk Space .....	1-5
1.7.2	Required Memory .....	1-5
1.7.3	Required System Parameters .....	1-6
1.7.3.1	SYSGEN Parameters for OpenVMS Cluster Members .....	1-8
1.7.4	Required Privileges and Rights Identifiers .....	1-8
1.8	Backing Up the System Disk .....	1-9
1.9	Notifying Users .....	1-9

### **2 Pre-Installation Tasks**

2.1	Information Required to Complete the Installation Planning Checklist ...	2-1
2.2	Installation Planning Checklist .....	2-1

### **3 Installing DECnet-Plus for OpenVMS**

3.1	Recommended Order for Installing Software .....	3-2
3.1.1	Installing DECnet-Plus on an OpenVMS I64 or OpenVMS Alpha System .....	3-2
3.1.2	Installing DECnet-Plus on an OpenVMS VAX System .....	3-4
3.2	PCSI Process Account Quotas .....	3-6
3.3	Installing DECnet-Plus Using the POLYCENTER Software Installation Utility .....	3-6
3.3.1	DECnet-Plus for OpenVMS I64 Installation Dialog .....	3-7
3.3.2	DECnet-Plus for OpenVMS Alpha Installation Dialog .....	3-8
3.3.3	DECnet-Plus for OpenVMS VAX Installation Dialog .....	3-9
3.4	Rights Identifiers Added to the System .....	3-11
3.5	Files Installed on the System .....	3-11
3.6	Rebooting the System .....	3-12

## Part II Configuring DECnet-Plus for OpenVMS

### 4 Configuration Options

4.1	Choosing an Initial Configuration Option . . . . .	4-1
4.2	How to Run NET\$CONFIGURE . . . . .	4-3
4.2.1	Local and Global Symbols . . . . .	4-3
4.2.2	Running the Procedure from Different Processes . . . . .	4-3

### 5 Using the FAST Configuration Option

5.1	Invoking the FAST Configuration Option . . . . .	5-1
5.2	Modifying a Current DECnet-Plus System Configuration . . . . .	5-4

### 6 Using the BASIC and ADVANCED Configuration Options

6.1	Invoking the Configuration Procedure . . . . .	6-1
6.2	Opening Messages . . . . .	6-1
6.3	Specifying Phase IV Conversion Options . . . . .	6-3
6.4	Configuring Node and Session Control Information . . . . .	6-4
6.4.1	Specifying Directory Name Services . . . . .	6-4
6.4.1.1	The Local Namespace . . . . .	6-5
6.4.1.2	The HP DECnet-Plus Distributed Name Service (DECdns) . . . . .	6-5
6.4.1.3	The Domain Name System . . . . .	6-5
6.4.1.4	The Name Service Search Path . . . . .	6-5
6.4.2	Specifying Node Full Names . . . . .	6-6
6.4.3	Specifying the Node Synonym . . . . .	6-7
6.4.4	Specifying the Naming Cache Timeout Value . . . . .	6-8
6.4.5	Specifying the Session Control Address Update Interval . . . . .	6-8
6.4.6	Specifying the Naming Cache Checkpoint Interval . . . . .	6-8
6.5	Configuring Routing Parameters . . . . .	6-9
6.5.1	Specifying the Node Type . . . . .	6-9
6.5.2	Specifying Router Information . . . . .	6-9
6.5.2.1	Routing Type . . . . .	6-9
6.5.2.2	Maximum Path Splits . . . . .	6-10
6.5.2.3	Phase IV Maximum Address and Maximum Area . . . . .	6-10
6.5.3	Specifying a DECnet Phase IV Address . . . . .	6-11
6.5.4	Specifying a Phase IV Prefix . . . . .	6-11
6.5.5	Specifying End Node Information . . . . .	6-12
6.5.5.1	Network Addresses . . . . .	6-12
6.5.5.2	DNA Address Format . . . . .	6-13
6.5.5.3	Segregated Mode Routing and Integrated Mode Routing . . . . .	6-14
6.5.6	Specifying the Default ES Hello Timer . . . . .	6-14
6.5.7	Specifying the ES Cache Size . . . . .	6-15
6.6	Configuring Devices . . . . .	6-15
6.6.1	Configuring WANDD Device Support . . . . .	6-15
6.6.1.1	WANDD Device Configuration on OpenVMS I64 and OpenVMS Alpha Systems . . . . .	6-16
6.6.1.2	WANDD Device Configuration on OpenVMS VAX Systems . . . . .	6-16
6.6.2	The Configuration Procedure Device Scan . . . . .	6-17

6.6.3	Configuring Asynchronous Data Link Support (OpenVMS VAX Only) . . . . .	6-17
6.6.3.1	Static Data Links . . . . .	6-18
6.6.3.2	Dynamic Data Links . . . . .	6-19
6.6.3.3	Preparing the Terminal Lines for DECnet Use . . . . .	6-20
6.6.4	Configuring Data Links and Routing Circuits . . . . .	6-21
6.6.4.1	FDDI Large Packet Support . . . . .	6-21
6.6.4.2	Circuit Cost and Routing Priority . . . . .	6-22
6.6.4.3	Enabling Phase IV Addressing on Routing Circuits . . . . .	6-22
6.6.5	Configuring DECnet over X.25 . . . . .	6-23
6.7	Configuring Transports . . . . .	6-26
6.7.1	Specifying the Network Service Protocol (NSP) Transport Configuration . . . . .	6-26
6.7.1.1	Flow Control Policy . . . . .	6-28
6.7.2	Specifying the OSI Transport Configuration . . . . .	6-28
6.7.2.1	Enabling OSI Applications over TCP/IP and DECnet over TCP/IP . . . . .	6-29
6.7.3	Specifying Transport Congestion Avoidance . . . . .	6-30
6.7.4	Configuring Slow-Speed NSP Transport Connections . . . . .	6-31
6.7.5	Specifying the OSI Loopback Test Application Account . . . . .	6-31
6.7.6	Configuring OSI Templates . . . . .	6-31
6.7.6.1	Common Template Parameters . . . . .	6-32
6.7.6.2	CLNS Network Service Template Parameters . . . . .	6-34
6.7.6.3	CONS Network Service Template Parameters . . . . .	6-35
6.7.6.4	RFC 1006 Network Service Template Parameters . . . . .	6-35
6.8	Configuring Time Zone Differential Factors . . . . .	6-36
6.9	Configuring the Event Dispatcher . . . . .	6-36
6.9.1	Configuring Event Sinks . . . . .	6-37
6.9.2	Outbound Streams . . . . .	6-39
6.9.3	Phase IV Relay . . . . .	6-41
6.10	Configuring the Application Database . . . . .	6-41
6.11	Configuring the MOP Client . . . . .	6-43
6.12	Configuring the Cluster Alias . . . . .	6-44
6.13	Summary Display . . . . .	6-45
6.14	Generating the NCL Scripts . . . . .	6-46
6.15	Starting the Network . . . . .	6-46
6.16	Namespace Modification . . . . .	6-47
6.17	Modifying a Current DECnet-Plus System Configuration . . . . .	6-49

## 7 Modifying a Current Configuration

7.1	Choosing a Configuration Option . . . . .	7-1
7.2	Invoking the Configuration Procedure . . . . .	7-2
7.3	Opening Messages . . . . .	7-2
7.4	The Main Options Menu . . . . .	7-4
7.5	Changing an Entire Configuration . . . . .	7-5
7.6	Changing the Node Name/namespace Name . . . . .	7-6
7.6.1	Common Namespace Selection Processing . . . . .	7-7
7.6.2	Modifying Node Information on Satellite Systems . . . . .	7-7
7.6.3	Changing a Node to Use DECdns as the Primary Namespace . . . . .	7-8
7.6.4	Configuring a DECdns Clerk System to Use a WAN DECdns Server . . . . .	7-10
7.6.5	Converting a DECdns Clerk System to a DECdns Server System . . . . .	7-11
7.6.6	Converting a DECdns Server to a DECdns Clerk System . . . . .	7-17

7.6.7	Reverting a DECdns Clerk System Back to a DECdns Server System . . . . .	7-18
7.6.8	Using the DECdns Namespace as Secondary on a DECdns Server System . . . . .	7-21
7.6.9	Configuring a DECdns Server System into an Existing Namespace . .	7-24
7.6.9.1	Configuring a DECdns Server in a DNS Version 1 Namespace . . .	7-24
7.7	Configuring Devices . . . . .	7-24
7.8	Configuring the NSP and OSI Transports . . . . .	7-25
7.9	Configuring the Time Zone Differential Factor (DECdts) . . . . .	7-27
7.9.1	DECdts Overview . . . . .	7-27
7.9.2	Selecting the DECdts Configuration Option . . . . .	7-28
7.9.3	Choosing a Time Zone Using Menus . . . . .	7-28
7.9.4	Using Universal Coordinated Time (UTC) . . . . .	7-30
7.9.5	Defining Your Own Time Zone Rule . . . . .	7-31
7.10	Configuring the Event Dispatcher . . . . .	7-31
7.11	Configuring the Application Database . . . . .	7-31
7.11.1	Deleting an Application . . . . .	7-32
7.11.2	Adding an Application . . . . .	7-32
7.12	Configuring the MOP Client Database . . . . .	7-36
7.12.1	Deleting a MOP Client . . . . .	7-36
7.12.2	Adding a MOP Client . . . . .	7-37
7.13	Configuring a Cluster Alias . . . . .	7-38
7.13.1	Deleting an Alias . . . . .	7-38
7.13.2	Adding an Alias . . . . .	7-38
7.14	Replacing a MOP Client Configuration . . . . .	7-39
7.15	Configuring Satellite Nodes . . . . .	7-40
7.15.1	Autoconfiguring Phase IV Cluster Nodes . . . . .	7-41
7.15.2	Electing To Configure Cluster Node Scripts . . . . .	7-43
7.15.3	Electing to Configure the Local Node . . . . .	7-44
7.15.4	Exiting the Satellite Options Menu . . . . .	7-44
7.16	Configuring Cluster-Common Script Locations . . . . .	7-44
7.17	Summary Display . . . . .	7-48
7.18	Generating New NCL Startup Scripts . . . . .	7-49
7.19	Starting the Network . . . . .	7-50
7.20	Customizing the Network Configuration . . . . .	7-50
7.20.1	Creating User-Defined Scripts . . . . .	7-50

## Part III Configuring X.25 Functionality on DECnet-Plus for OpenVMS VAX Systems

### 8 Configuring X.25 for OpenVMS VAX

8.1	Terminology . . . . .	8-1
8.2	Steps in Configuring X.25 for OpenVMS VAX . . . . .	8-1
8.3	Planning the X.25 Configuration . . . . .	8-2
8.3.1	Configuring Client, Direct Connect, and Connector Systems . . . . .	8-2
8.4	Using the Configuration Program . . . . .	8-4
8.4.1	Invoking the Configuration Program . . . . .	8-4
8.4.2	Common Operations . . . . .	8-4
8.4.2.1	Entering Information . . . . .	8-4
8.4.2.2	Moving Within a Section . . . . .	8-5
8.4.3	Moving Between Sections . . . . .	8-5
8.4.4	Keys Used in the Configuration Program . . . . .	8-5
8.4.5	Accessing the Options Menu . . . . .	8-6

8.4.6	Obtaining Help .....	8-8
8.4.6.1	Obtaining Help on the Program .....	8-8
8.4.6.2	Obtaining General Help .....	8-8
8.4.6.3	Obtaining Help on a Specific Field or Menu Choice .....	8-8
8.4.7	Creating the Configuration File .....	8-8
8.4.8	Quitting from the Configuration Program .....	8-9
8.4.9	Leaving the Program .....	8-9
8.5	Configuration Sections .....	8-9
8.6	Required Configuration Data .....	8-13
8.7	Verifying the Configuration .....	8-25
8.7.1	Preparing to Run the CTP .....	8-25
8.7.2	Running the CTP .....	8-26
8.7.2.1	Running the CTP Interactively .....	8-26
8.7.2.2	Running the CTP as a Network Object .....	8-26
8.8	Modifying the Configuration .....	8-27
8.9	Creating a New X.25 Configuration .....	8-27

## **Part IV Installing X.25 for OpenVMS on OpenVMS I64 and OpenVMS Alpha Systems**

### **9 Preparing to Install X.25 for OpenVMS**

9.1	Product Description .....	9-1
9.2	Locating the Distribution Kit .....	9-1
9.3	Accessing the Online Release Notes .....	9-2
9.4	Time Required for Installation and Configuration .....	9-3
9.5	Required Hardware .....	9-3
9.6	Prerequisite Software .....	9-3
9.7	License Requirements .....	9-3
9.7.1	Checking Licenses .....	9-4
9.8	System Requirements .....	9-4
9.8.1	Disk Space .....	9-4
9.8.2	Required System Parameters .....	9-5
9.8.3	Required Privileges and Rights Identifiers .....	9-5
9.9	Backing Up the System Disk .....	9-5
9.10	Notifying Users .....	9-6

### **10 Installing X.25 for OpenVMS**

10.1	Recommended Order for Installing Software .....	10-1
10.2	PCSI Process Account Quotas .....	10-4
10.3	Installing HP X.25 for OpenVMS Using PCSI .....	10-4
10.3.1	X.25 for OpenVMS I64 Installation Dialog .....	10-5
10.3.2	X.25 for OpenVMS Alpha Installation Dialog .....	10-7
10.3.3	X.25 for OpenVMS De-Installation Example .....	10-9
10.4	Files Installed on Your System .....	10-10

## 11 X.25 Post-Installation and Configuration Tasks

11.1	Configuring X.25 for OpenVMS	11-1
11.2	Restart DECnet-Plus	11-2
11.3	Rebooting the System	11-2
11.4	De-installing X.25 for OpenVMS	11-2

## Part V Installing OSI Applications for OpenVMS Systems

### 12 Preparing to Install the OSI Applications

12.1	Product Descriptions	12-1
12.2	Locating the Distribution Kit	12-1
12.3	Accessing the Online Release Notes	12-2
12.4	Time Required for Installation and Configuration	12-3
12.5	Required Hardware	12-3
12.6	Prerequisite Software	12-3
12.7	License Requirements	12-3
12.7.1	Checking Licenses	12-4
12.8	System Requirements	12-4
12.8.1	Disk Space	12-4
12.8.2	Memory Requirements	12-4
12.8.3	Required Privileges	12-5
12.8.4	Process Quotas for OSAK\$SERVER_V3 Account	12-5
12.9	Backing Up the System Disk	12-6
12.10	Notifying Users	12-6

### 13 Installing the OSI Applications

13.1	PCSI Process Account Quotas	13-1
13.2	Starting Installation of the OSI Applications	13-1
13.3	Installing the OSI Applications	13-2
13.4	Starting Up and Shutting Down OSI Applications	13-4
13.5	The OSAK Installation Verification Procedure	13-4
13.6	Running the OSIF\$CONFIGURE.COM Procedure	13-5
13.7	The FTAM Installation Verification Procedure	13-5
13.7.1	Preparing for the FTAM IVP	13-6
13.7.2	Running the FTAM IVP	13-6
13.8	The VT Installation Verification Procedure	13-8
13.9	Files Installed on Your System	13-8
13.10	Sample OSI Application Installations	13-8
13.10.1	Sample OSAK Installation	13-8
13.10.2	Sample FTAM Installation	13-9
13.10.3	Sample Virtual Terminal Installation	13-10
13.11	De-installing OSI Applications	13-11
13.12	Sample OSI Application De-installations	13-11
13.12.1	Sample Virtual Terminal De-installation	13-11
13.12.2	Sample FTAM De-installation	13-12
13.12.3	Sample OSAK De-installation	13-12



## 14 Configuring the OSI Applications

14.1	FTAM and Virtual Terminal Terminology .....	14-1
14.2	About the OSI Application Entity Database.....	14-1
14.3	Getting Started Configuring Initiating and Responding Entities .....	14-2
14.3.1	Setting Up Responding Entities .....	14-2
14.3.2	Setting Up Initiating Entities .....	14-2
14.3.3	Example: Performing an FTAM File Copy.....	14-3
14.3.4	Example: Performing a Virtual Terminal Login.....	14-4
14.4	About Responding Entities.....	14-5
14.5	Configuring Addresses for Remote FTAM and VT Applications .....	14-5
14.5.1	Adding Address Format Entries.....	14-8
14.5.2	Adding Distinguished Name Format Entries .....	14-8
14.5.3	Adding Pattern Format Entries .....	14-9
14.6	Registering Responders in the X.500 Directory .....	14-9

## Part VI Supplemental Reference Material

### A System Files Loaded During DECnet-Plus Installation

### B Name Services

B.1	Modifying the Search Path Information .....	B-1
B.1.1	Creating a Site-Specific Search Path NCL Script .....	B-2
B.1.2	Using the Search Path to Ease Migration .....	B-2
B.1.3	Setting Up Naming Templates .....	B-3
B.1.4	Domain Synonyms .....	B-3
B.1.4.1	Search Path Naming Template Support for Domain Synonyms ..	B-3
B.1.4.2	Local Aliases .....	B-4
B.2	Node Synonym Directories .....	B-4
B.2.1	Defining an Alternate Node Synonym Directory .....	B-4
B.2.2	When to Use the Logical Name .....	B-5
B.3	Using a DNS Version 1 Namespace with DECdns Version 2 .....	B-5
B.3.1	Preparing a DNS Version 1 Namespace for Use by DECdns Version 2.....	B-5
B.3.2	Using the DNS Version 1 Namespace .....	B-6
B.4	Registering a Node in the Namespace .....	B-7
B.4.1	Export/Import File Format .....	B-7
B.4.2	Problems Registering a Node .....	B-7

### C Configuring OSI Transport Over X.25 CONS

C.1	OpenVMS I64 and Alpha Configuration of OSI Transport Over X.25 CONS.....	C-3
C.2	OpenVMS VAX Configuration of OSI Transport Over X.25 CONS .....	C-5

### D Configuring Link State Routing Nodes Using the ISIS\$CONFIGURE Procedure

D.1	Prerequisites .....	D-1
D.2	Dialog Structure.....	D-1
D.3	Outputs .....	D-2
D.4	Dialog .....	D-2
D.4.1	LAN and Synchronous Circuit Dialogs.....	D-5

D.4.2	X.25 Routing Circuit Dialog . . . . .	D-5
D.4.3	Reachable Address Dialog . . . . .	D-7

## Index

## Figures

3-1	Installation and Configuration Flowchart (I64 and Alpha Systems) . . .	3-3
3-2	Installation and Configuration Flowchart (VAX Only) . . . . .	3-5
8-1	Installation and Configuration Flowchart . . . . .	8-3
10-1	Installation and Configuration Flowchart . . . . .	10-3
C-1	Example OSI Transport over X.25 CONS Configuration . . . . .	C-2

## Tables

1	DECnet-Plus for OpenVMS Documentation . . . . .	xiv
1-1	DECnet-Plus Disk Space Requirements . . . . .	1-5
1-2	Minimum System Parameters Required — Base Software Installation . . . . .	1-6
1-3	ADD_ System Parameter Values . . . . .	1-7
2-1	Installation Planning Checklist . . . . .	2-2
3-1	Process Quotas for the Installing Account . . . . .	3-6
3-2	Rights Identifiers . . . . .	3-11
4-1	Choosing an Initial Configuration Option . . . . .	4-2
7-1	Choosing a Configuration Option to Modify a Current Configuration . . . . .	7-1
7-2	Application End-User Specification Types . . . . .	7-32
7-3	Application Numbers . . . . .	7-33
7-4	Satellite Configuration Options . . . . .	7-40
8-1	X.25 Terminology . . . . .	8-1
8-2	X.25 for OpenVMS VAX Configurations and License Requirements . . .	8-2
8-3	Available Keys Used by the X.25 Configuration Program . . . . .	8-6
8-4	Configuration Sections Applicable to Client, Direct Connect, and Connector Systems . . . . .	8-10
8-5	Configuration Information: Lines and DTEs (Direct Connect and Connector Systems Only) . . . . .	8-13
8-6	Configuration Information: PVCs (Direct Connect and Connector Systems Only) . . . . .	8-15
8-7	Configuration Information: Groups (Direct Connect and Connector Systems Only) . . . . .	8-15
8-8	Configuration Information: LLC2 DTEs (Direct Connect and Connector Systems Only) . . . . .	8-16
8-9	Configuration Information: Remote DTE Classes (Client Systems Only) . . . . .	8-17
8-10	Configuration Information: X.29 and P.S.I. Mail Support (All Systems) . . . . .	8-17
8-11	Configuration Information: Server Client Nodes (Connector Systems Only) . . . . .	8-17

8-12	Configuration Information: Applications (All Systems) .....	8-18
8-13	Configuration Information: Declaring a Network Process (All Systems) .....	8-18
8-14	Configuration Information: Filters — for Applications and Network Processes (All Systems) and Server Clients (Connector Systems Only) .....	8-19
8-15	Configuration Information: Templates (All Systems) .....	8-20
8-16	Configuration Information: Incoming Security for Applications (All Systems) .....	8-21
8-17	Configuration Information: Outgoing Security for Local Processes (All Systems) .....	8-22
8-18	Configuration Information: Incoming Security for Network Processes (All Systems) .....	8-23
8-19	Configuration Information: Incoming Security for Server Clients (Connector Systems Only) .....	8-23
8-20	Configuration Information: Outgoing Security for Client Systems (Connector Systems Only) .....	8-24
10-1	Process Quotas for the Installing Account .....	10-4
12-1	Minimum Disk Space Requirements .....	12-4
12-2	Required Global Pages, Global Pagelets and Sections .....	12-4
12-3	OSAK\$SERVER_V3 Process Account Quotas .....	12-5
12-4	Account Quotas for Processes that use OSAK Software .....	12-6
13-1	Process Quotas for the Installing Account .....	13-1
14-1	Default Addresses .....	14-5
14-2	X.500 Configuration Checklist .....	14-7
14-3	Address Format Worksheet .....	14-8
C-1	Sample X.25 Configuration Information .....	C-2
D-1	Routing Protocol Options .....	D-3



---

# Preface

This book describes how to install and configure HP DECnet-Plus for OpenVMS using the three available configuration options (FAST, BASIC, and ADVANCED). It also discusses how to use the configuration procedure to modify existing DECnet-Plus for OpenVMS configurations. The book also describes how to install and configure:

- X.25 functionality on OpenVMS VAX systems (formally known as VAX P.S.I. software)
- X.25 for OpenVMS on OpenVMS I64 and OpenVMS Alpha systems
- The optional OSI layered applications software components:
  - OSI Applications Kernel (OSAK)
  - File Transfer, Access, and Management (FTAM)
  - Virtual Terminal (VT)

---

## Note

---

DECnet-Plus for OpenVMS *must* be installed on your system before you can install X.25, FTAM, VT, or OSAK software.

---

## Intended Audience

This book is written for:

- OpenVMS system managers
- DECnet-Plus software installers
- Network planners and managers

## Structure of This Book

This book has three parts:

- Part I Describes the prerequisite steps necessary to install the DECnet-Plus for OpenVMS software and the installation dialog used to install the software.
- Part II Provides help to determine which configuration option to use: FAST, BASIC or ADVANCED. It describes using each of the configuration options to configure a new DECnet-Plus node. It also discusses using the BASIC or ADVANCED configuration option to modify an existing configuration.

- Part III Describes the steps necessary to configure X.25 functionality on DECnet-Plus for OpenVMS VAX systems. This functionality was previously a separate product known as VAX P.S.I.
- Part IV Describes the prerequisite steps necessary to install the X.25 for OpenVMS software on an OpenVMS I64 or OpenVMS Alpha system and the installation dialog used to install the software. It also serves as an introduction to the configuration tasks discussed in the *HP X.25 for OpenVMS Configuration* manual.
- Part V Describes the prerequisite steps necessary to install the optional OSI applications software components and the installation dialog used to install the software. It also describes how to configure the FTAM and VT applications.
- Part VI Reference appendixes useful to the installation and configuration process.

## Terminology

The following terms are used interchangeably in this book:

- Transition and migration
- DECnet Phase IV and Phase IV
- End system and end node
- Intermediate system and router
- DECnet-Plus and Phase V

## Guide to Documentation

DECnet-Plus for OpenVMS documentation is available in two sets:

- Documentation set for DECnet-Plus for OpenVMS
- Supplemental X.25 for OpenVMS documentation set

Table 1 lists the documentation that supports this version of the DECnet-Plus for OpenVMS software.

**Table 1 DECnet-Plus for OpenVMS Documentation**

Document	Contents
<b>DECnet-Plus for OpenVMS Documentation Set</b>	
<i>DECnet-Plus for OpenVMS Introduction and User's Guide</i>	Describes the manuals in the documentation sets, outlines the DECnet-Plus for OpenVMS features and tools, explains how to use and manage an end system, and provides a comprehensive glossary of DECnet terminology.

(continued on next page)

**Table 1 (Cont.) DECnet-Plus for OpenVMS Documentation**

Document	Contents
<b>DECnet-Plus for OpenVMS Documentation Set</b>	
<i>HP DECnet-Plus for OpenVMS Release Notes</i>	<p>Describes changes to the software; installation, upgrade, and compatibility information; new and existing software problems and restrictions; and software and documentation corrections.</p> <p><b>Note:</b> Print this file at the beginning of the installation procedure and read it before you install DECnet-Plus for OpenVMS.</p>
<i>DECnet-Plus Planning Guide</i>	<p>Provides configuration and planning guidelines, including namespace planning information, to help you transition a network from the DECnet Phase IV to DECnet Phase V architecture.</p>
<i>HP DECnet-Plus for OpenVMS Installation and Configuration</i>	<p>Explains how to install and configure the DECnet-Plus for OpenVMS software using the three configuration options (FAST, BASIC, and ADVANCED). Also explains how to modify an existing configuration.</p> <p>Explains how to configure the X.25 functionality included with the DECnet-Plus for OpenVMS VAX software (formerly provided by the VAX P.S.I. Access and VAX P.S.I. products).</p> <p>Explains how to install the separate X.25 for OpenVMS software product available for OpenVMS I64 and OpenVMS Alpha systems. For configuration information, see the <i>HP X.25 for OpenVMS Configuration</i> manual.</p> <p>Explains how to install and configure the optional OSI applications software components (OSI Applications Kernel (OSAK), OSI File Transfer, Access, and Management (FTAM), and OSI Virtual Terminal (VT)).</p>
<i>HP DECnet-Plus for OpenVMS Network Management</i>	<p>Provides in-depth information about how to monitor and manage DECnet-Plus for OpenVMS systems using various tools and Network Control Language (NCL) commands. Explains how to set up and use event dispatching and how to perform all day-to-day management tasks for the local DECnet-Plus for OpenVMS node, including setting up OpenVMS clusters, managing security, downtime loading, and monitoring the network.</p>
<i>DECnet-Plus for OpenVMS Network Management Quick Reference Guide</i>	<p>Provides quick-reference information about the tools that help you manage and monitor a DECnet-Plus network. Use this guide with the <i>HP DECnet-Plus for OpenVMS Network Management</i> manual.</p>

(continued on next page)

**Table 1 (Cont.) DECnet-Plus for OpenVMS Documentation**

Document	Contents
<b>DECnet-Plus for OpenVMS Documentation Set</b>	
<i>HP DECnet-Plus for OpenVMS Network Control Language Reference</i>	Outlines command descriptions and examples for all Network Control Language (NCL) commands that you execute to manage, monitor, and troubleshoot the network. Begins with an orientation chapter that contains information about how to execute NCL commands, followed by a command chapter for each module in the DECnet Phase V layered model.
<i>DECnet-Plus Problem Solving</i>	Explains how to isolate and solve DECnet problems in an OpenVMS environment that can occur while the network is in operation. Includes information about how to perform loopback tests and how to use the DTS/DTR utility to solve problems.
<i>HP DECnet-Plus for OpenVMS DECdns Management</i>	Explains HP DECnet-Plus Distributed Name Service (DECdns) concepts and how to manage a DECdns distributed namespace. Use this manual with the <i>DECnet-Plus Planning Guide</i> .
<i>HP DECnet-Plus for OpenVMS DECdts Management</i>	Introduces HP DECnet-Plus Distributed Time Service (DECdts) concepts and describes how to manage the software and system clocks.
<i>DECnet-Plus DECdts Programming</i>	Contains DECdts time routine reference information and describes the time-provider interface (TPI).
<i>DECnet-Plus OSAK Programming</i>	Explains how to use the OSAK (OSI Applications Kernel) interface to create OSI (Open Systems Interconnection) applications for any supported operating system.
<i>DECnet-Plus OSAK Programming Reference</i>	Provides reference information on using the OSAK interface to create OSI applications on any supported operating system.
<i>DECnet-Plus OSAK SPI Programming Reference</i>	Provides reference information about using the OSAK session programming interface (SPI) to create OSI applications on any supported operating system.
<i>DECnet-Plus FTAM and Virtual Terminal Use and Management</i>	Explains how to use and manage FTAM (File Transfer, Access, and Management) software for remote file transfer and management and VT (Virtual Terminal) for remote login to OSI-compliant systems.
<i>DECnet-Plus FTAM Programming</i>	Explains how to access the FTAM protocol through FTAM's API (application programming interface).

(continued on next page)



**Table 1 (Cont.) DECnet-Plus for OpenVMS Documentation**

Document	Contents
<b>DECnet-Plus for OpenVMS Documentation Set</b>	
<i>DECnet-Plus for OpenVMS Programming</i>	Contains information about how to design and write an application that follows a client/server model and uses the OpenVMS Interprocess Communication (\$IPC) system service and the transparent and nontransparent communication with the queue Input/Output (\$QIO) system service. Explains how to write programs using the OpenVMS system services to communicate with OSI transport services. Provides information about the Common Management Information Service (CMISE) API.
<i>DECnet/OSI for VMS CTF Use</i>	Explains how use the Common Trace Facility (CTF) troubleshooting tool to collect and analyze protocol data from networking software.
<b>Supplemental X.25 Documentation Set</b>	
<i>HP X.25 for OpenVMS Configuration</i>	Discusses how to configure X.25 for OpenVMS on an OpenVMS I64 or OpenVMS Alpha system. For information about how to configure the X.25 functionality on OpenVMS VAX systems, see the <i>HP DECnet-Plus for OpenVMS Installation and Configuration</i> manual.
<i>HP X.25 for OpenVMS Management Guide</i>	Explains how to manage and monitor an X.25 system using network tools.
<i>HP X.25 for OpenVMS Security Guide</i>	Explains the X.25 security model and the tasks required to set up and manage X.25 security.
<i>HP X.25 for OpenVMS Problem Solving</i>	Provides guidance on how to solve problems that can occur while using an X.25 system.
<i>HP X.25 for OpenVMS Utilities</i>	Explains how to use and manage the X.25 Mail and X.29 communications utilities.
<i>HP X.25 for OpenVMS Accounting</i>	Explains how to use X.25 accounting to obtain performance records and information about how X.25 is being used.
<i>HP X.25 for OpenVMS Programming</i>	Explains how to write X.25 and X.29 programs to perform network operations.
<i>HP X.25 for OpenVMS Programming Reference</i>	Provides reference information for X.25 and X.29 programmers.
<i>DECnet/OSI for VMS VAX WANDD Programming</i>	Provides information about using the programming interface for the WANDD devices.

The following OpenVMS manuals provide additional information:

- *OpenVMS License Management Utility Manual*
- *OpenVMS System Management Utilities Reference Manual*

## Reader's Comments

HP welcomes your comments on this manual or any of the DECnet-Plus documents. Please send comments to either of the following addresses:

Internet	<b>openvmsdoc@hp.com</b>
Mail	Hewlett-Packard Company OSSG Documentation Group, ZKO3-4/U08 110 Spit Brook Rd. Nashua, NH 03062-2698

## How To Order Additional Documentation

For information about how to order additional documentation and for online versions of most DECnet-Plus documentation, visit the following World Wide Web address:

<http://www.hp.com/go/openvms/doc/>

## Conventions

The following conventions are used in this book.

Convention	Meaning
special type	Indicates a literal example of system output or user input. In text, indicates command names, keywords, node names, file names, directories, utilities, and tools.
UPPERCASE	Indicates keywords that you enter. You can type the characters in uppercase or lowercase. You can abbreviate command keywords to the smallest number of characters that OpenVMS, NCP, NCL, or the other tools accept.  Uppercase also indicates the names of files, directories, utilities, tools, commands, parameters, and procedures.
<i>italic type</i>	Indicates a variable.
<b>bold</b>	Indicates a new term defined in the text or important information.
<span style="border: 1px solid black; padding: 0 2px;">Return</span>	Indicates that you press the Return key.
Ctrl/ <i>x</i>	Indicates that you press the Control key while you press the key noted by <i>x</i> .
[YES]	Brackets indicate that the enclosed item is a default value in an installation prompt.
{ }	In command format descriptions, indicates you must enter at least one listed element.

# Part I

---

## Installing DECnet-Plus for OpenVMS

Part I describes the prerequisite steps necessary to install the HP DECnet-Plus for OpenVMS software and the installation dialog used to install the software.

It contains the following chapters:

- Chapter 1 — Preparing to Install DECnet-Plus for OpenVMS
- Chapter 2 — Pre-Installation Tasks
- Chapter 3 — Installing DECnet-Plus for OpenVMS



---

# Preparing to Install DECnet-Plus for OpenVMS

This chapter describes the tasks you must perform before installing and configuring the HP DECnet-Plus for OpenVMS software.

## 1.1 Locating the Distribution Kit

To obtain the directory location of the DECnet-Plus kit on the CD-ROM, refer to the *OpenVMS Software Product Library CD-ROM User's Guide* that accompanies the CD-ROM distribution kit.

Alternatively, complete the following steps:

1. To obtain the kit directory location of the DECnet-Plus distribution files on the appropriate OpenVMS Software Product Library CD-ROM (media CD-ROM), do one of the following:

- Use the CDMENU utility provided on the media CD-ROM.
- View the CD-ROM master index file on the media CD-ROM.

For information about using the CDMENU utility and the CD-ROM files on the media CD-ROM, see the *Software Product Library CD-ROM User's Guide* that accompanies the media CD-ROM distribution kit. The media CD-ROM user guide and CD-ROM master index file are provided as online files in the [README] directory on the first media CD-ROM.

2. To determine if the appropriate CD-ROM is already mounted on your system, enter the following command:

```
$ show device dka400:
```

---

**Note**

---

The device DKA400 is used in examples in this document as the device where the appropriate CD-ROM has been mounted.

---

3. If the media CD-ROM containing the DECnet-Plus kit is not mounted, insert the appropriate CD-ROM (write down the volume label) into an available CD-ROM drive. Enter the appropriate mount command to mount the media CD-ROM (omit the /FOREIGN qualifier):

```
$ mount dka400: label
```

where *label* is the volume label of the media CD-ROM.

4. Define the logical name PCSI\$SOURCE to reference the appropriate kit directory on the Software Product Library Compact Disk. For example, if the DECnet-Plus kit is located in the [DECNETPLUS083] directory on device DKA400, enter the following command:

## Preparing to Install DECnet-Plus for OpenVMS

### 1.1 Locating the Distribution Kit

```
$ define pcsi$source dka400:[decnetplus083]
```

5. To verify the DECnet-Plus kit name, use a `directory` command specifying the `PCSI$SOURCE` logical name:

```
$ directory pcsi$source:*.pcsi
```

The distribution kit contains the following component kit files:

- Base components software
  - DECnet-Plus for OpenVMS base kit
- Optional software
  - OSI Applications Kernel kit (OSAK software)
  - OSI File Transfer, Access, and Management application kit (FTAM software)
  - OSI Virtual Terminal kit (VT software)

For a more detailed list, see Chapter 3.

---

#### Note

---

Before installing any of the software, read the *DECnet-Plus Planning Guide*. This guide contains installation planning information, including namespace planning instructions.

---

### 1.2 Accessing the Online Release Notes

You should review the release notes for a description of new features, differences between multiple versions of DECnet-Plus, and changes in the installation procedure.

To access the release notes, issue the following command:

```
$ product extract release_notes decnet_osi /file=filename
```

In the above example, it is assumed that the logical name `PCSI$SOURCE` properly references the directory location of the DECnet-Plus kit. Details on how to determine the directory location of the DECnet-Plus kit are provided in Section 1.1.

The product selected is displayed and you are prompted to continue with the extraction.

To extract the release notes, type `YES` and press Return. The release notes are written to the specified file, which you can display or print.

If you do not use the `/FILE` qualifier to define the required location of the extracted release notes, the release notes are extracted into the file `default.pcsi$release_notes` in the current directory.

To cancel the extraction, type `NO` and press Return.

---

#### Note

---

After DECnet-Plus is installed, the release notes file is located in `sys$help` in the form `decnet-plus-v*.release_notes`.

---

# Preparing to Install DECnet-Plus for OpenVMS

## 1.3 Time Required for Installation and Configuration

### 1.3 Time Required for Installation and Configuration

The time required to complete the DECnet-Plus installation and configuration procedures depends on the following:

- Configuration option used (FAST, BASIC, or ADVANCED)
- Optional software installed
- CPU on the system

The time required to install and configure DECnet-Plus can vary from 30 minutes to 2 hours, depending on the combination of choices you make from the above list.

### 1.4 Required Hardware

The DECnet-Plus for OpenVMS installation process requires the following hardware:

- A CD-ROM reader
- A terminal

You can use either a hardcopy or video terminal to communicate with the operating system and respond to prompts from the installation procedure.

Refer to the *OpenVMS Operating System for I64, Alpha and VAX Software Product Description* (SPD 25.01.xx) for hardware requirements and processor support for the DECnet-Plus software.

### 1.5 Prerequisite Software

Before you can install and configure the software, the system must have the required operating system software. In addition, if you intend to use any optional software supported by DECnet-Plus for OpenVMS, you must use the supported versions of these software products.

For specific information about the required versions of prerequisite software, see the *HP DECnet-Plus for OpenVMS Software Product Description*.

#### 1.5.1 Checking the Operating System Version

To determine the OpenVMS operating system version number, enter the following DCL command:

```
$ show system 
```

#### 1.5.2 DECnet and OSI Applications over TCP/IP

If you plan to use the DECnet-Plus over TCP/IP feature, then TCP/IP software is a prerequisite. Your system will be able to operate over TCP/IP if and only if the TCP/IP product used on your system supports the PATHWORKS Internet Protocol (PWIP) interface. For more information about required TCP/IP software, see the *HP DECnet-Plus for OpenVMS Release Notes*.

---

#### Note

---

For more information on using DECnet over TCP/IP or the OSI applications over TCP/IP, refer to the *HP DECnet-Plus for OpenVMS Network Management* guide.

---

## Preparing to Install DECnet-Plus for OpenVMS

### 1.6 License Requirements

#### 1.6 License Requirements

DECnet-Plus for OpenVMS uses three licenses. The specific license required on your system is determined by the functions you want to use and your CPU type:

- Basic function license (DVNETEND) — provides end system support.
- Extended function license (DVNETEXT) for OpenVMS I64 and OpenVMS Alpha systems — provides end system support, host-based routing support, DECdns server, DECdts server, cluster alias, and OSI applications gateways.
- Extended function license (DVNETRTG) for OpenVMS VAX systems — provides end system support, host-based routing support, DECdns server, DECdts server, cluster alias, and OSI applications gateways.

---

#### License Requirements for OpenVMS for I64 Systems

---

HP DECnet-Plus for OpenVMS Version 8.3 for I64 systems requires the Foundation Operating Environment (FOE) license. This license includes the basic function license (DVNETEND). If you intend to configure your system as a DECdns server, you must obtain a separate DVNETEXT license.

---

At least one node of an OpenVMS Cluster system requires the appropriate extended function license (DVNETEXT or DVNETRTG) to use the cluster alias feature.

If you install the DECnet-Plus software without the appropriate extended function license and then attempt to configure your system as a DECdns server, the DECdns server will fail and the configuration utility (`net$configure.com`) will exit.

In addition to the three DECnet-Plus for OpenVMS licenses, you may need additional licenses to use certain features of DECnet-Plus.

- In addition to the appropriate DECnet-Plus extended function license, the TELNET/VT gateway also requires an HP TCP/IP Services for OpenVMS license.
- In addition to the DECnet-Plus base function license, certain X.25 wide area network features on OpenVMS Alpha and OpenVMS I64 systems require a separate X.25 for OpenVMS license. For more information, see Section 9.7.
- In addition to the DECnet-Plus base function license, certain X.25 wide area network features on OpenVMS VAX systems require an X.25 license. For more information, see Section 8.3.1.

#### 1.6.1 Checking Licenses

To determine if a DECnet-Plus license is registered, enter the following DCL command:

```
$ show license dvnet* 
```

If the system does not have the required licenses, obtain the Product Authorization Key (PAK) and register the license. For instructions on registering a license, refer to the *OpenVMS License Management Utility Manual*.



## 1.7 System Requirements

Before you install the DECnet-Plus for OpenVMS software, make sure that your system meets the requirements discussed in the following sections.

### 1.7.1 Disk Space

If this is the first time you are installing DECnet-Plus on a particular system, ensure that you have enough free space on the system disk. You need enough space to install the DECnet-Plus Base components and any options you select.

If you already have DECnet-Plus installed, you need considerably less free space for the installation because the earlier installation has already allocated most of the space that a subsequent installation needs.

Table 1–1 shows the amount of disk space needed to install the DECnet-Plus software components. Make sure you have enough free space to install the required software and the optional software.

**Table 1–1 DECnet-Plus Disk Space Requirements**

Component	Blocks for I64	Blocks for Alpha	Blocks for VAX
Base components	160000	92000	77000
DECdts server	3500	1600	1800
DECdns server <sup>1</sup>	15000	15000	3000
WANDD	10000	5000	5500
X.25 for OpenVMS	20000	10000	10000
OSAK	12300	6600	6000
FTAM	42700	31800	12000
Virtual Terminal	9800	3300	2000
Totals	273300	165300	117300

<sup>1</sup>Approximate amount — actual amount depends on the size of the namespace, the number of logs created, and so forth. The amount of required disk space could double when running tests, then return to original amount when duplicate files are deleted.

To find out how many free blocks exist on the system disk, enter the following command:

```
$ show device sys$sysdevice 
```

If the number of required blocks exceeds the number of free blocks, you must clear space on the system disk.

### 1.7.2 Required Memory

The minimum amount of memory required is 512 MB for OpenVMS I64 systems, 64 MB for OpenVMS Alpha systems, and 24 MB for OpenVMS VAX systems.

To check the amount of memory on your system, enter the following command:

```
$ show memory/full 
```

# Preparing to Install DECnet-Plus for OpenVMS

## 1.7 System Requirements

### 1.7.3 Required System Parameters

This section provides information about system parameters, their values, and how to modify them.

Table 1–2 lists the minimum system parameters required for the base software.

**Table 1–2 Minimum System Parameters Required — Base Software Installation**

Parameter	Minimum Value
<b>For OpenVMS I64 Systems:</b>	
ARB_SUPPORT	3
MIN_CLISYMTBL	750
MIN_GBLPAGES	100000
MIN_GBLPAGFIL	1024
MIN_GBLSECTIONS	512
MIN_KSTACKPAGES	2
<b>For OpenVMS Alpha Systems:</b>	
ARB_SUPPORT	3
MIN_CLISYMTBL	750
MIN_GBLPAGES	100000
MIN_GBLPAGFIL	1024
MIN_GBLSECTIONS	512
MIN_KSTACKPAGES	2
MIN_NPAGEDYN	2100000
<b>For OpenVMS VAX Systems:</b>	
MIN_CLISYMTBL	500
MIN_GBLPAGES	50000
MIN_GBLPAGFIL	4096
MIN_GBLSECTIONS	400
MIN_VIRTUALPAGECNT	35000

In addition to the minimum system parameter values, DECnet-Plus also requires several ADD\_ parameter values to ensure adequate resources are available. These values are listed in Table 1–3.

## Preparing to Install DECnet-Plus for OpenVMS 1.7 System Requirements

**Table 1–3 ADD\_ System Parameter Values**

Parameter	Value
<b>For OpenVMS I64 Systems:</b>	
ADD_GBLPAGES	75000
ADD_GBLPAGFIL	512
ADD_GBLSECTIONS	200
ADD_GH_EXEC_CODE	256
ADD_NPAGEDYN	3800000
<b>For OpenVMS Alpha Systems:</b>	
ADD_GBLPAGES	55000
ADD_GBLPAGFIL	256
ADD_GBLSECTIONS	100
<b>For OpenVMS VAX Systems:</b>	
ADD_GBLPAGES	55000
ADD_GBLSECTIONS	100

### **Important**

For most DECnet installations, it is not necessary for you to add the preceding system parameters to the `modparams.dat` file. These parameters are automatically taken into consideration when DECnet is installed or upgraded.

If necessary, prior to installing this release of DECnet-Plus, you should edit `modparams.dat` and remove any entries that you may have made for previous DECnet-Plus installations. Use the preceding tables as a guide. Different versions of DECnet-Plus have had different parameter values; however, the parameter list has remained consistent for most recent releases.

See the “Server Tuning” and “Client Tuning” sections in the “DECdns Problem Solving” chapter of the *HP DECnet-Plus for OpenVMS DECdns Management* manual for examples of when it might still be necessary to make DECnet-related changes to `modparams.dat`. Note that any `ADD_` values you place in `modparams.dat` are added to the standard `ADD_` values in Table 1–3.

DECnet and AUTOGEN use two files, `newparams.dat` and `clu$params.dat`, to support this automatic system parameter setting. The DECnet-Plus installation procedure creates a `newparams.dat` file to provide AUTOGEN with the DECnet-Plus system parameter requirements. When AUTOGEN is run, it first renames any existing `clu$params.dat` file to `clu$params.old`. Then it takes the values found in all existing `newparams.dat` files and creates a new `clu$params.dat` file containing the results of its `newparams.dat` scan. AUTOGEN then renames the `newparams.dat` files to `newparams.done`. During AUTOGEN, the parameters found in `clu$params.dat` are used in much the same fashion as parameters found in `modparams.dat`.

## Preparing to Install DECnet-Plus for OpenVMS

### 1.7 System Requirements

To check any system parameter, invoke the SYSGEN utility and enter the `show` command. For example, to view the current value for `GBLSECTIONS`, enter the following command:

```
$ mcr sysgen
SYSGEN> show gblsections
```

If any of the system parameters need to be modified, follow these steps:

1. Edit the `modparams.dat` file by entering:

```
$ edit sys$system:modparams.dat
```

2. Enter the values into the file in the following format:

```
ADD_GBLSECTIONS=512
.
.
.
ADD_GBLPAGFIL=1024
```

3. Exit from the editor.
4. Run AUTOGEN by entering the following command:

```
$ @sys$update:autoген getdata reboot
```

---

#### Warning

---

In the unlikely event that the required minimum system parameter requirements are no longer met by the current system parameter settings, the network startup will fail. If the network fails to start for this reason, the logical name `NET$STARTUP_STATUS` is set to `OFF-AUTOGENREQ`. If this occurs you must edit the `modparams.dat` file directly and set the parameters to the values shown in Table 1–2 and Table 1–3.

---

#### 1.7.3.1 SYSGEN Parameters for OpenVMS Cluster Members

When installing DECnet-Plus for OpenVMS on an OpenVMS Cluster, make sure that you apply any custom SYSGEN parameter values you may have added to all cluster members.

#### 1.7.4 Required Privileges and Rights Identifiers

HP recommends that you install and configure DECnet-Plus from the `SYSTEM` account. If you are configuring from another account, make sure the account has the following privileges and rights identifiers in place before you begin.

Required account privileges are as follows:

- `CMKRNL`
- `NETMBX`
- `SYSPRV`
- `TMPMBX`
- `OPER`
- `SYSNAM`

## Preparing to Install DECnet-Plus for OpenVMS 1.7 System Requirements

- WORLD

---

**Note**

---

The account cannot have the locked password (LOCKPWD) flag set.

---

Required rights identifiers are as follows:

- NET\$MANAGE
- NET\$SECURITY
- NET\$REGISTERDNSOBJECT

---

**Note**

---

If your account has the BYPASS privilege, then you do not need to grant these rights identifiers.

---

To determine the default privileges of the installing account, log in and enter the following DCL command:

```
$ show process/privileges
```

### 1.8 Backing Up the System Disk

Use the OpenVMS BACKUP utility to make a copy of the system disk.

### 1.9 Notifying Users

Inform users on the system that you plan to install a product and that they must log out.

First, prevent nonprivileged users from logging in to the system:

```
$ set logins/interactive=0
```

Next, use the `reply/all` command and be sure to indicate the exact time you plan to begin running the POLYCENTER Software Installation utility. For example:

```
$ reply/all "Installing DECnet-Plus software at 18:00; Please log out."
```

If possible, give users an estimated time when they will be able to log in to the system.



---

## Pre-Installation Tasks

Before installing the HP DECnet-Plus for OpenVMS software, complete the installation planning checklist in this chapter. This ensures that you have the information you need to complete the installation and configuration in the minimum amount of time. In addition to identifying necessary information and directing you to sources of help, the checklist also assists you in choosing optional software.

### 2.1 Information Required to Complete the Installation Planning Checklist

Determine the following information before you begin the installation and configuration procedure. Enter this information on your installation planning checklist:

- System's full name (you may have a DECdns full name, a Local namespace full name, and a fully qualified host name for the Domain Name System [DNS/BIND])
- Node synonym
- Phase IV-compatible address to interface with Phase IV nodes
- Phase IV prefix
- Network address

### 2.2 Installation Planning Checklist

Complete the checklist in Table 2-1 before continuing with the installation process.

## Pre-Installation Tasks

### 2.2 Installation Planning Checklist

**Table 2–1 Installation Planning Checklist**

Question	Yes	No	For More Information
Have you backed up your system disk? If not, then do so before you start the installation.	<input type="checkbox"/>	<input type="checkbox"/>	
Will the system get network addresses from a DECdns name server? If yes, what is the system's DECdns node name (for example, ACME:.BOSTON)?	<input type="checkbox"/>	<input type="checkbox"/>	See Section 6.4.1 and Section 6.4.2
Will the system store network addresses in a Local database? If yes, what is the system's Local node name (for example, LOCAL:.BOSTON)?	<input type="checkbox"/>	<input type="checkbox"/>	See Section 6.4.1 and Section 6.4.2
Is TCP/IP installed on the system? Will the system store network addresses in the DNS/BIND database? If yes, what is the system's DNS/BIND name (for example, BOSTON.ACME.COM)?	<input type="checkbox"/>	<input type="checkbox"/>	See Section 6.4.1 and Section 6.4.2
What is the system's node synonym (for example, BOSTON)?			See Section 6.4.3
Will the system communicate with Phase IV nodes? <ul style="list-style-type: none"> <li>• Phase IV-compatible address (for example, 2.38)</li> <li>• Phase IV Prefix (the default is 49::)</li> </ul>	<input type="checkbox"/>	<input type="checkbox"/>	See Section 6.5.3 and Section 6.5.4
Will the system autoconfigure its network addresses? If not, you will need network entity titles (for example, 47:24:02-01-0A-04:08-00-2B-93-ED-99:00).	<input type="checkbox"/>	<input type="checkbox"/>	See Section 6.5.5.1
Do you want to install DECdns server software?	<input type="checkbox"/>	<input type="checkbox"/>	Refer to the <i>DECnet-Plus Planning Guide</i> .
Do you want to install DECdts server software?	<input type="checkbox"/>	<input type="checkbox"/>	Refer to the <i>DECnet-Plus Planning Guide</i> .

(continued on next page)



## Pre-Installation Tasks 2.2 Installation Planning Checklist

**Table 2–1 (Cont.) Installation Planning Checklist**

Question	Yes	No	For More Information
<p>(For OpenVMS VAX only.) Do you want to install X.25 functionality and WANDD software for VAX?</p> <p>You must install this software if you want to use any of the following:</p> <ul style="list-style-type: none"> <li>– Non-LAN connections to the network</li> <li>– Routing over synchronous connections</li> <li>– X.25 software over synchronous lines</li> <li>– LAN X.25 (LLC Class 2)</li> <li>– DECnet over X.25</li> </ul>	<input type="checkbox"/>	<input type="checkbox"/>	Refer to Part III.
<p>(For OpenVMS I64 and OpenVMS Alpha only.) Do you want to install X.25 for OpenVMS?</p> <p>You must install this software if you want to use any of the following:</p> <ul style="list-style-type: none"> <li>– X.25 communications via a connector system (Client system)</li> <li>– X.25 communications directly from the local system (Direct Connect system)</li> <li>– X.25 communications on behalf of other systems (Connector system)</li> <li>– LAN X.25 (LLC Class 2)</li> <li>– DECnet over X.25</li> </ul>	<input type="checkbox"/>	<input type="checkbox"/>	Refer to Part IV.
<p>Do you want to install DECnet-Plus for OpenVMS OSAK software?</p> <p>If you plan to use an OSI application such as FTAM or Virtual Terminal, you must install this software.</p>	<input type="checkbox"/>	<input type="checkbox"/>	Refer to Part V.
<p>Do you want to install DECnet-Plus for OpenVMS FTAM software?</p> <p>If you plan to copy files to and from other OSI-compliant systems or manage such files, you must install this software.</p>	<input type="checkbox"/>	<input type="checkbox"/>	Refer to Part V.

(continued on next page)

## Pre-Installation Tasks

### 2.2 Installation Planning Checklist

**Table 2-1 (Cont.) Installation Planning Checklist**

Question	Yes	No	For More Information
Do you want to install DECnet-Plus for OpenVMS Virtual Terminal (VT) software?  If you plan to support remote logins and access to remote applications on OSI-compliant systems, you must install this software.	<input type="checkbox"/>	<input type="checkbox"/>	Refer to Part V.

---

## Installing DECnet-Plus for OpenVMS

The HP DECnet-Plus for OpenVMS distribution software is provided on compact disc (CD-ROM). The software consists of the following components:

### Components for OpenVMS I64 and OpenVMS Alpha Systems

- Base Components
  - DECnet-Plus for OpenVMS base kit
  - DECdns server
  - DECdts server
- X.25 for OpenVMS (separate kit; requires a separate license)
  - Wide Area Network Device Drivers (WANDD) for OpenVMS I64 and OpenVMS Alpha
- Optional OSI applications software components (included with the base kit but must be installed separately)
  - OSI Applications Kernel (OSAK)
  - OSI File Transfer, Access, and Management (FTAM)
  - OSI Virtual Terminal (VT)

### Components for OpenVMS VAX Systems

- Base Components
  - DECnet-Plus for OpenVMS base kit
  - X.25 functionality for OpenVMS VAX (formerly VAX P.S.I.)
  - WANDD for OpenVMS VAX
  - DECdns server
  - DECdts server
- Optional OSI applications software components (included with the base kit but must be installed separately)
  - OSAK
  - FTAM
  - VT

## Installing DECnet-Plus for OpenVMS

---

### Note

---

The DECnet-Plus base components, OSAK, FTAM, and VT, are all packaged as separate installation kits on the distribution CD-ROM. They are usually located in the same directory. The X.25 for OpenVMS kit, however, is a separately licensed product and as such is in a different directory on the distribution CD-ROM. Consult the documentation with your distribution medium for the location of the kits you desire.

---

Use the POLYCENTER Software Installation utility to install the base components and any combination of optional components. See the *OpenVMS System Management Utilities Reference Manual* for information on using the DCL interface with the POLYCENTER Software Installation utility.

### 3.1 Recommended Order for Installing Software

The following sections describe the order in which you should install the DECnet-Plus for OpenVMS software.

#### 3.1.1 Installing DECnet-Plus on an OpenVMS I64 or OpenVMS Alpha System

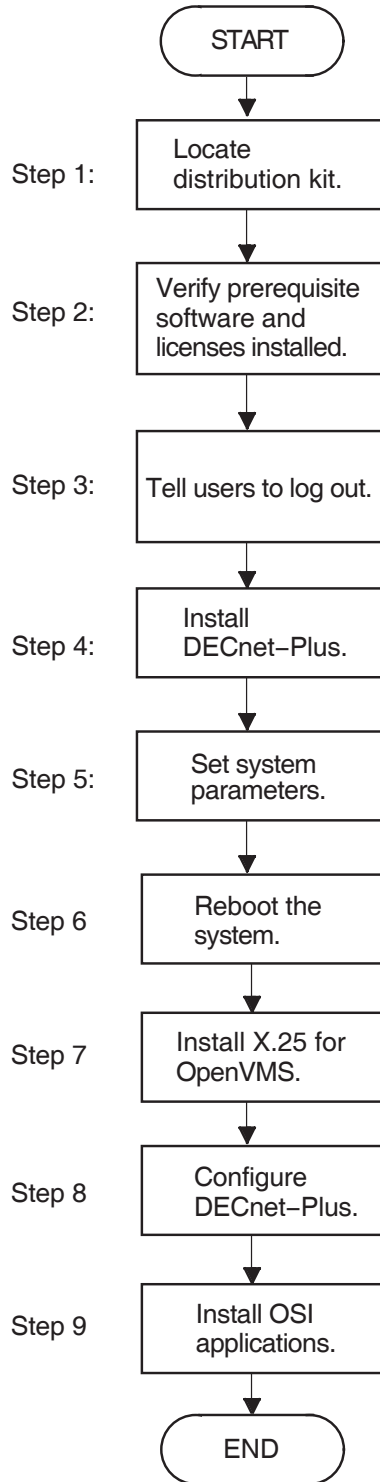
If you choose to install all the software products at the same time, install and configure the OpenVMS operating system and layered products in the following order, referring to the appropriate documentation. For a quick reference, see Figure 3-1. **After OpenVMS has been installed**, perform the following steps:

1. Locate the distribution kit. Access the online Release Notes. Verify required hardware. See Sections 1.1 through 1.4.
2. Verify that all prerequisite software and licenses are installed. See Sections 1.5 and 1.6.
3. Back up the system disk. Shut down all network-related applications and tell users to log out. See Sections 1.8 and 1.9.
4. Install DECnet-Plus for OpenVMS. See Section 3.3.
5. If necessary, set any required system parameters. See Section 1.7.
6. **Reboot the system.**
7. Install X.25 for OpenVMS and WANDD, if necessary. See Chapter 9 and Chapter 10.
8. Configure DECnet-Plus for OpenVMS. See Chapter 4 to determine which configuration option to choose: FAST, BASIC, or ADVANCED. For a FAST configuration, see Chapter 5. For BASIC or ADVANCED configurations, see Chapter 6.
9. Configure X.25 for OpenVMS. See the *HP X.25 for OpenVMS Configuration* manual.
10. Install and configure the optional OSI applications software components (OSAK, FTAM, and VT). See Chapter 12 and Chapter 13.

# Installing DECnet-Plus for OpenVMS

## 3.1 Recommended Order for Installing Software

Figure 3-1 Installation and Configuration Flowchart (I64 and Alpha Systems)



LKG-8982-96R

## Installing DECnet-Plus for OpenVMS

### 3.1 Recommended Order for Installing Software

#### 3.1.2 Installing DECnet-Plus on an OpenVMS VAX System

If you choose to install all the software products at the same time, install and configure the OpenVMS operating system and layered products in the following order, referring to the appropriate documentation. For a quick reference, see Figure 3-2. **After OpenVMS has been installed**, perform the following:

1. Locate the distribution kit. Access the online Release Notes. Verify required hardware. See Sections 1.1 through 1.4.
2. Verify that all prerequisite software and licenses are installed. See Sections 1.5 and 1.6.
3. Back up the system disk. Shut down all network-related applications and tell users to log out. See Sections 1.8 and 1.9.
4. Install DECnet-Plus for OpenVMS. See Section 3.3.

---

**Note**

---

If you want to install X.25 functionality (formerly VAX P.S.I.), select the option now while installing DECnet-Plus for OpenVMS.

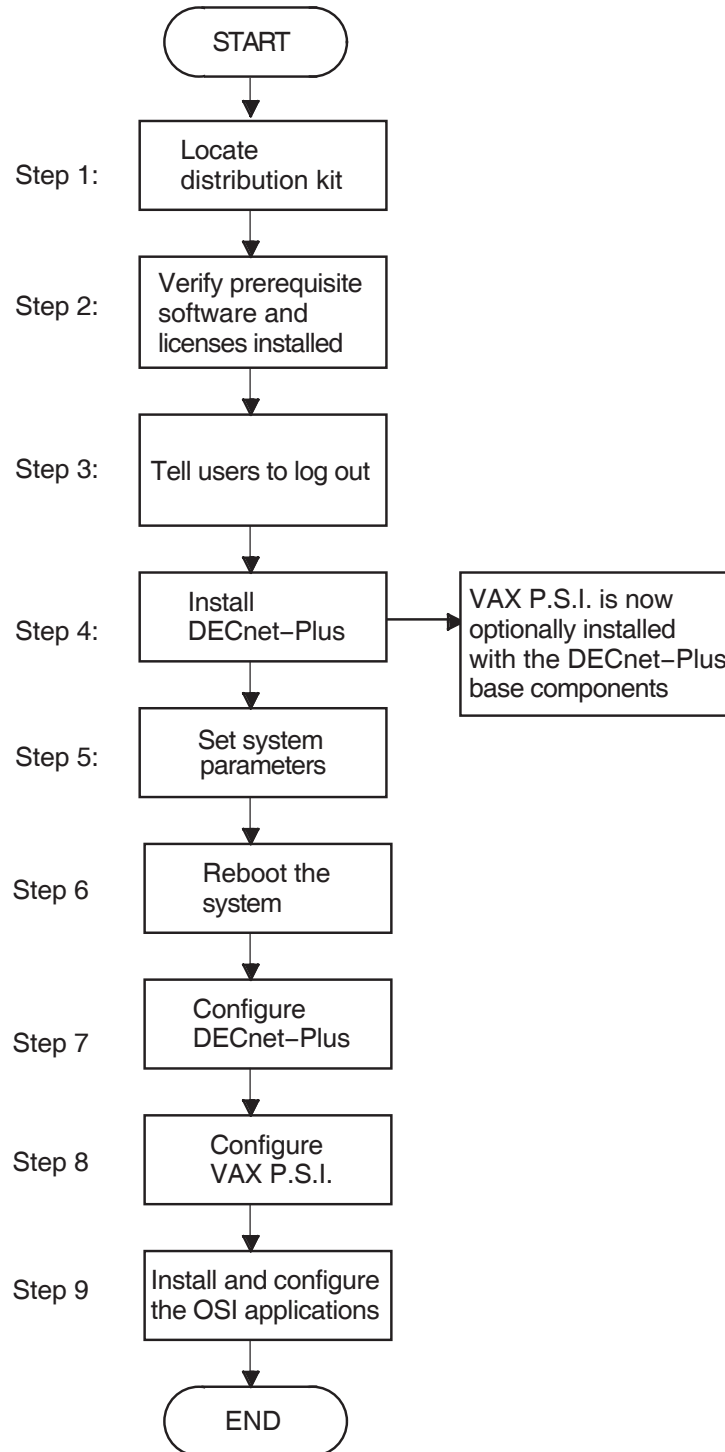
---

5. If necessary, set any required system parameters. See Section 1.7.
6. **Reboot the system.**
7. Configure DECnet-Plus for OpenVMS. See Chapter 4 to determine which configuration option to choose: FAST, BASIC, or ADVANCED. For a FAST configuration, see Chapter 5. For a BASIC or ADVANCED configuration, see Chapter 6.
8. Configure X.25 functionality (formerly VAX P.S.I.). See Chapter 8.
9. Install and configure the optional OSI applications software component (OSAK, FTAM, and VT). See Chapter 12 and Chapter 13.

# Installing DECnet-Plus for OpenVMS

## 3.1 Recommended Order for Installing Software

Figure 3-2 Installation and Configuration Flowchart (VAX Only)



ZK-8266A-GE

## Installing DECnet-Plus for OpenVMS

### 3.2 PCSI Process Account Quotas

### 3.2 PCSI Process Account Quotas

The POLYCENTER Software Installation utility requires that the installation account has, as a minimum, the quotas shown in Table 3–1.

**Table 3–1 Process Quotas for the Installing Account**

Quota	Value
ASTLM	24
BIOLM	18
BYTLM	32768
DIOLM	18
ENQLM	200
FILLM	100

Use the OpenVMS Authorize utility to verify and change process quotas for the installation account in the user authorization file (*sysuaf.dat*). (Some sites may restrict the use of the OpenVMS Authorize utility to certain accounts or people.)

For example, to verify and then change the BYTLM quota for the *account-name* installation account, enter the following command sequence:

To...	Enter...
Invoke the Authorize utility	<code>\$ run sys\$system:authorize</code>
Show the account quotas	<code>UAF&gt; show account-name</code>
Modify the BYTLM quota	<code>UAF&gt; modify account-name /BYTLM = 32768</code>
Exit from the Authorize utility	<code>UAF&gt; exit</code>
Log out	<code>\$ logout</code>

After you verify and change the quotas for the installation account, log out of the installation account and log in again. The new quotas will take effect and you can proceed with the installation.

User account quotas are stored in the *sysuaf.dat* file. For more information about modifying account quotas, see the description of the Authorize utility in the OpenVMS system management documentation subkit.

### 3.3 Installing DECnet-Plus Using the POLYCENTER Software Installation Utility

This section describes the steps for installing DECnet-Plus software using the POLYCENTER Software Installation utility. You must have SYSPRV privileges on the local or remote node where you want to run this utility.

---

**Note**

Kits included on the OpenVMS Version 8.3 distribution media are signed using Secure Delivery.

---



### 3.3 Installing DECnet-Plus Using the POLYCENTER Software Installation Utility

#### 3.3.1 DECnet-Plus for OpenVMS I64 Installation Dialog

To start the installation, follow these steps:

1. Log in to the SYSTEM account.
2. Mount the Software Products Library media CD-ROM, locate the DECnet-Plus distribution directory, and define the PCSI\$SOURCE logical name to reference the directory. See Section 1.1 for information about locating the distribution kit.
3. Enter the following command:

```
$ product install DECNET_PLUS
```

For a description of all the features you can request when starting an installation (such as purging files and using a product configuration file), refer to DCL help for the product install command.

The actual kit location may change with new releases. See Section 1.1 for information about locating the distribution kit.

You are then prompted for installation information as in the following example. In this example, numbered callouts ( 1 , 2 , 3 , ... ) guide you through the sequence of steps that require your response.

```
Performing product kit validation ...
%PCSI-I-VALPASSED, validation of
DKB200:[KITS]HP-I64VMS-DECNET_PLUS-V0803--1.PCSI$COMPRESSED;1 succeeded
```

```
The following product has been selected:
  HP I64VMS DECNET_PLUS V8.3           Layered Product
```

- 1 Do you want to continue? [YES]

```
Configuration phase starting ...
```

You will be asked to choose options, if any, for each selected product and for any products that may be installed to satisfy software dependency requirements.

```
HP I64VMS DECNET_PLUS V8.3: DECnet-Plus V8.3 for OpenVMS I64
```

```
Copyright 2006 Hewlett-Packard Development Company, L.P.
```

```
Hewlett-Packard Company
```

```
This product requires one of two PAKs: DVNETEND or DVNETEXT.
```

- 2 Do you want the defaults for all options? [YES] NO

```
HP I64VMS VMS V8.3 [Installed]
```

```
* Configuration options for this referenced product cannot
* be changed now because the product is already installed.
* (You can use PRODUCT RECONFIGURE later to change options.)
```

```
DECdns Server software [NO] YES
```

```
DECdts Server software [NO] YES
```

- 3 Do you want to review the options? [NO] YES

```
HP I64VMS DECNET_PLUS V8.3: DECnet-Plus V8.3 for OpenVMS I64
```

```
HP I64VMS VMS V8.3 [Installed]
```

```
DECdns Server software: YES
```

```
DECdts Server software: YES
```

- 4 Are you satisfied with these options? [YES]

```
Execution phase starting ...
```

```
The following product will be installed to destination:
```

```
HP I64VMS DECNET_PLUS V8.3           DISK$XBAl:[VMS$COMMON.]
```

## Installing DECnet-Plus for OpenVMS

### 3.3 Installing DECnet-Plus Using the POLYCENTER Software Installation Utility

```
Portion done: 0%...10%...20%...30%...40%...50%...60%...80%...90%...100%
```

```
The following product has been installed:
```

```
HP I64VMS DECNET_PLUS V8.3          Layered Product
```

```
$
```

- 1 At this point, you can stop the installation process. If you want to continue, press Return. If you want to stop, type NO and press Return.
- 2 This question allows you to select which optional parts of the DECnet-Plus base components product you want to install. If you want to take the installation defaults, press Return. If you want to select each optional DECnet-Plus base component (for example, DECdns Server), type NO and press Return. The procedure then displays a list of choices for you.
- 3 This question allows you to review and change your current selections. Type YES if you are satisfied with the current selected options. Type NO if you want to make changes.
- 4 Responding NO to this question causes the procedure to reprompt you to enter values for each of the installation options. If you are satisfied with the options, press Return to accept the default YES response.

#### 3.3.2 DECnet-Plus for OpenVMS Alpha Installation Dialog

To start the installation, follow these steps:

1. Log in to the SYSTEM account.
2. Mount the Software Products Library media CD-ROM, locate the DECnet-Plus distribution directory, and define the PCSI\$SOURCE logical name to reference the directory. See Section 1.1 for information about locating the distribution kit.
3. Enter the following command:

```
$ product install DECnet_OSI
```

For a description of all the features you can request when starting an installation (such as purging files and using a product configuration file), refer to DCL help for the product install command.

The actual kit location may change with new releases. See Section 1.1 for information about locating the distribution kit.

You are then prompted for installation information as in the following example. In this example, numbered callouts ( 1 , 2 , 3 , ... ) guide you through the sequence of steps that require your response.

```
Performing product kit validation ...
%PCSI-I-VALPASSED, validation of
DKB500:[KITS]DEC-AXPVMS-DECNET_OSI-V0803--1.PCSI$COMPRESSED;1 succeeded
```

```
The following product has been selected:
```

```
DEC AXPVMS DECNET_OSI V8.3          Layered Product
```

- 1 Do you want to continue? [YES]

```
Configuration phase starting ...
```

You will be asked to choose options, if any, for each selected product and for any products that may be installed to satisfy software dependency requirements.

```
DEC AXPVMS DECNET_OSI V8.3: DECnet-Plus V8.3 for OpenVMS AXP
```

```
Copyright 2006 Hewlett-Packard Development Company, L.P.
```

### 3.3 Installing DECnet-Plus Using the POLYCENTER Software Installation Utility

Hewlett-Packard Company

This product requires one of two PAKs: DVNETEND or DVNETEXT.

2 Do you want the defaults for all options? [YES] NO

Do you want to change any options? [YES]

DEC AXPVMS VMS V8.3 [Installed]

\* Configuration options for this referenced product cannot  
\* be changed now because the product is already installed.  
\* (You can use PRODUCT RECONFIGURE later to change options.)

DECdns Server software [NO] YES

DECdts Server software [NO] YES

3 Do you want to review the options? [NO]

Execution phase starting ...

The following product will be installed to destination:

DEC AXPVMS DECNET\_OSI V8.3                   DISK\$XBAJ:[VMS\$COMMON.]

Portion done: 0%...10%...20%...30%...40%...50%...80%...90%...100%

The following product has been installed:

DEC AXPVMS DECNET\_OSI V8.3                   Layered Product

\$

- 1 At this point, you can stop the installation process. If you want to continue, press Return. If you want to stop, type NO, then press Return.
- 2 This question allows you to select which optional parts of the DECnet-Plus base components product you want to install. If you want to take the installation defaults, press Return. If you want to select each optional DECnet-Plus base component (for example, DECdns Server), type NO and press Return. The procedure then displays a list of choices for you.
- 3 This question allows you to review and change your current selections. Type YES if you are satisfied with the current selected options. Type NO if you want to make changes.

#### 3.3.3 DECnet-Plus for OpenVMS VAX Installation Dialog

To start the installation, follow these steps:

1. Log in to the SYSTEM account.
2. Mount the Software Products Library media CD-ROM, locate the DECnet-Plus distribution directory, and define the PCSI\$SOURCE logical name to reference the directory. See Section 1.1 for information about locating the distribution kit.
3. Enter the following command:

```
$ product install DECnet_OSI
```

For a description of all the features you can request when starting an installation (such as purging files and using a product configuration file), refer to DCL help for the product install command.

The actual kit location may change with new releases. See Section 1.1 for information about locating the distribution kit.

## Installing DECnet-Plus for OpenVMS

### 3.3 Installing DECnet-Plus Using the POLYCENTER Software Installation Utility

You are then prompted for installation information as in the following example. In this example, numbered callouts (1, 2, 3, ...) guide you through the sequence of steps that require your response.

```
The following product has been selected:
DEC VAXVMS DECnet_OSI V7.3      Layered Product
```

1 Do you want to continue? [YES]

```
Configuration phase starting ...
```

You will be asked to choose options, if any, for each selected product and for any products that may be installed to satisfy software dependency requirements.

```
DEC VAXVMS DECnet_OSI V7.3: DECnet-Plus V7.3 for OpenVMS VAX
```

```
Copyright 2004 Hewlett-Packard Development Company, L.P.
```

```
Hewlett-Packard Company
```

```
This product requires one of two PAKS: DVNETEND or DVNETRTG.
```

2 Do you want the defaults for all options? [YES] NO

```
DEC VAXVMS VMS V7.3
```

```
* Configuration options for this referenced product cannot
* be changed now because the product is already installed.
* (You can use PRODUCT RECONFIGURE later to change options.)
```

```
VAX P.S.I. or P.S.I. Access software [NO]: NO
```

```
VAX Wide Area Device Drivers [NO]: NO
```

```
DECdns Server software [NO] NO
```

```
DECdts Server software [NO] NO
```

3 Do you want to review the options? [NO] YES

```
DEC VAXVMS DECnet_OSI V7.3: DECnet-Plus V7.3 for OpenVMS VAX
```

```
DEC VAXVMS VMS V7.3 [Installed]
```

```
VAX P.S.I. or P.S.I. Access software: NO
```

```
VAX Wide Area Device Drivers: NO
```

```
DECdns Server software: NO
```

```
DECdts Server software: NO
```

```
Are you satisfied with these options? [YES]
```

```
Execution phase starting ...
```

```
The following product will be installed:
```

```
DEC VAXVMS DECnet_OSI V7.3
```

```
Portion Done: 0%...10%...20%...30%...40%...50%...80%...90%...100%
```

```
The following product has been installed:
```

```
DEC VAXVMS DECnet_OSI V7.3
```

1 At this point, you can stop the installation process. If you want to continue, press Return. If you want to stop, type NO, then press Return.

2 This question allows you to select which optional parts of the DECnet-Plus base components product you want to install. If you want to take the installation defaults, press Return. If you want to select each optional DECnet-Plus base component (for example, VAX P.S.I.), type NO and press Return. The procedure then displays a list of choices for you.

3 This question allows you to review and change your current selections. Type YES if you are satisfied with the current selected options. Type NO if you want to make changes.

## 3.4 Rights Identifiers Added to the System

During the final phase of the installation process, several rights identifiers are created in the rights identifiers database. If you are installing from the system console and have the Audit Server properly enabled, it alerts you as these rights are added. In addition, the NET\$MANAGE rights identifier is granted to the SYSTEM account.

Table 3–2 lists the rights identifiers added during the installation. See the “Managing Network Security” chapter in the *HP DECnet-Plus for OpenVMS Network Management* manual for more information about these rights identifiers.

**Table 3–2 Rights Identifiers**

<b>Rights Identifier</b>	<b>Description</b>
NET\$DECLAREOBJECT	Declares an application
NET\$DECNETACCESS	Gives \$IPC users access to the network in the absence of the NETMBX privilege
NET\$DIAGNOSE	Permits use of network diagnostics
NET\$EXAMINE	Permits display of the attributes of an entity
NET\$MANAGE	Permits display, creation, or modification of an entity
NET\$POSTEVENT	Permits posting of events
NET\$REGISTERDNSOBJECT	Permits registration or deregistration of a DECdns object
NET\$SECURITY	Permits setting a user name for session control or session control application
NET\$TRACEALL	Permits tracing of entire messages on a local node
NET\$TRACEALLREMOTE	Permits tracing of entire messages on a remote node
NET\$TRACEHEADERS	Permits tracing of message headers on a local node
NET\$TRACEHEADERSREMOTE	Permits tracing of message headers on a remote node

## 3.5 Files Installed on the System

The DECnet-Plus installation procedure installs a number of files on your system. To list the files, enter one of the following commands (see also Appendix A):

For OpenVMS I64 systems:

```
$ product show object /product=decnet_plus
```

For OpenVMS Alpha and OpenVMS VAX systems:

```
$ product show object /product=decnet_osi
```

## Installing DECnet-Plus for OpenVMS

### 3.6 Rebooting the System

### 3.6 Rebooting the System

After completing the installation of the DECnet-Plus for OpenVMS software, you must reboot your system before beginning the configuration process. Because the system has not been configured yet, you may see the following messages during system startup:

```
Copyright 2006 Hewlett-Packard Development Company, L.P.  
%NET$STARTUP-W-NONETCONFIG, this node has not been configured to run  
  DECnet-Plus for OpenVMS  
    use SYSS$MANAGER:NET$CONFIGURE.COM if you wish to configure DECnet  
%NET$STARTUP-I-OPERSTATUS, DECnet-Plus for OpenVMS operational status is OFF
```

Proceed to Chapter 4 for information about selecting the configuration option appropriate for your system.

# Part II

---

## Configuring DECnet-Plus for OpenVMS

Part II provides help to determine which configuration option to use: FAST, BASIC, or ADVANCED. It describes using each of the configuration options to configure a new DECnet-Plus node. It also discusses using the BASIC or ADVANCED configuration option to modify an existing configuration.

It contains the following chapters:

- Chapter 4 — Configuration Options
- Chapter 5 — Using the FAST Configuration Option
- Chapter 6 — Using the BASIC and ADVANCED Configuration Options
- Chapter 7 — Modifying a Current Configuration





---

## Configuration Options

This chapter explains the three configuration options you can use to configure your system for the HP DECnet-Plus for OpenVMS software. These configuration options enable you to configure the DECnet-Plus for OpenVMS base components so that the system becomes a DECnet-Plus node on a network.

The procedure you use to configure your system for DECnet-Plus is `sys$manager:net$configure.com`. You can use any of the following `net$configure` configuration options:

- **FAST** configuration option (see Chapter 5)  
The **FAST** configuration option allows you to quickly upgrade a non-clustered system from DECnet Phase IV to DECnet Phase V.
- **BASIC** configuration option (see Chapter 6)  
The **BASIC** configuration option allows you to configure your system for DECnet-Plus by answering a few questions and using the default answers on others.
- **ADVANCED** configuration option (see Chapter 6)  
The **ADVANCED** configuration option allows you to customize your system's network configuration.

This chapter presents additional information about the following topics:

- Selecting a configuration option
- Running `net$configure`

See Section 1.7.4 for a list of account privileges you need to run `net$configure`.

### 4.1 Choosing an Initial Configuration Option

If you installed the required software, you can configure your system using the `net$configure` configuration option for the **FAST** configuration, using the `net$configure basic` configuration option for the **BASIC** configuration, or using the `net$configure advanced` configuration option for the **ADVANCED** configuration.

Table 4–1 provides some guidelines for making your configuration choice.

## Configuration Options

### 4.1 Choosing an Initial Configuration Option

**Table 4–1 Choosing an Initial Configuration Option**

Option...	Choose if...
FAST	<p>You are upgrading from a DECnet Phase IV node and you plan to use the existing Phase IV configuration.</p> <p>The node is not in an OpenVMS cluster.</p> <p>You are running the configuration procedure for the first time.</p>
BASIC	<p>The node is in an OpenVMS cluster.</p> <p>You are upgrading to DECnet-Plus.</p> <p>You need to access a DECdns server for network addresses.</p> <p>You have only one communications device, or you have multiple devices, all of which will be used for DECnet-Plus communications.</p> <p>You want to use the default names for all devices and routing circuits.</p> <p>You want to autoconfigure your network addresses only.</p> <p>You want to configure both the NSP and OSI transports and only want to create default OSI templates.</p> <p>You want to enable DECnet over TCP/IP (RFC 1859) or OSI applications over TCP/IP (RFC 1006).</p> <p>You do not want to enable FDDI large packet support (if you have an FDDI-type circuit).</p> <p>You want to set the routing characteristic DNA Address Format to TRUE (to control the interpretation of address structuring).</p> <p>You want to use integrated mode routing.</p>
ADVANCED	<p>Your configuration is complex.</p> <p>You need to customize your network's configuration.</p> <p>Your system has multiple communication devices, and you want them to run a mix of protocols.</p> <p>You want to configure a cluster with both DECnet Phase IV and DECnet Phase V nodes.</p> <p>You want the option to give specific names to all devices and routing circuits.</p> <p>You want the option of not configuring all of your devices for DECnet-Plus.</p> <p>You want the option of manually entering your network addresses.</p> <p>You want to configure either the NSP transport or the OSI transport (or both).</p> <p>You want the option to create additional OSI templates.</p> <p>You want the option of enabling/disabling DECnet over TCP/IP or OSI applications over TCP/IP.</p> <p>You want the option of enabling FDDI large packet support (if you have an FDDI-type circuit).</p> <p>You want the option of setting the routing characteristic DNA Address Format to TRUE or FALSE (to control the interpretation of address structuring).</p> <p>You want the option of using either integrated mode routing or segregated mode routing.</p> <p>You want the option to provide default accounts for FAL.</p>

## 4.2 How to Run NET\$CONFIGURE

The `net$configure` procedure configures the DECnet-Plus software. This command creates or modifies the Network Control Language (NCL) startup scripts required to run DECnet-Plus on your node.

The `net$configure` procedure is an interactive procedure that displays a series of questions. After each question, the default response, if there is one, appears in brackets ( [ ] ). At the end of each question, a colon ( : ) appears. Respond in one of the following ways:

- To get help after a question, type a question mark ( ? ). After the help display, the same question reappears.
- To select the default response, press Return.
- To enter information, type it immediately after the colon or question mark; then press Return.
- Type Y for YES and N for NO.
- To terminate the procedure, press Ctrl/Z.

To invoke `net$configure` with the BASIC option, enter the following:

```
$ @sys$manager:net$configure basic
```

To invoke `net$configure` with the ADVANCED option, enter the following:

```
$ @sys$manager:net$configure advanced
```

If you execute `net$configure` **without** specifying `basic` or `advanced`, the BASIC configuration option is invoked by default.

---

**Note**

---

If you are running the configuration procedure for the first time on a system that was previously configured for Phase IV and you do not specify `basic` or `advanced`, the initial default is the FAST configuration option.

However, the FAST configuration option can only be run once on a system, and after that the BASIC configuration option automatically becomes the default.

---

### 4.2.1 Local and Global Symbols

The `net$configure` procedure deletes all of your local and global symbols at the beginning of the procedure in order to free the symbol table. This action is required because `net$configure` creates and uses a large number of symbols. If the symbols were not deleted at the beginning of the procedure, `net$configure` could run out of symbol table space to use while configuring the system. In most cases, the configuration procedure restores your symbols as it exits.

### 4.2.2 Running the Procedure from Different Processes

Although `net$configure` can be run simultaneously on different nodes in a cluster, it should not be run simultaneously from different processes on the same node.



---

## Using the FAST Configuration Option

This chapter describes how to configure the HP DECnet-Plus for OpenVMS base components using the FAST configuration option so that the system becomes a DECnet-Plus end node on a DECnet-Plus network.

---

### Note

If you have already run the FAST configuration procedure once on your system, the configuration procedure automatically defaults to the BASIC configuration option.

---

### 5.1 Invoking the FAST Configuration Option

To invoke the `net$configure` procedure using the FAST configuration option, enter the following command:

```
$ @sys$manager:net$configure 
```

The procedure starts:

```
Copyright 2006 Hewlett-Packard Development Company, L.P.
```

```
DECnet-Plus for OpenVMS network configuration procedure
```

```
This procedure will help you create or modify the management scripts
needed to operate DECnet on this machine. You may receive help about
most questions by answering with a question mark '?'.
```

```
%NET$CONFIGURE-I-SETUPNEW, setting up for new configuration
%NET$CONFIGURE-I-PHASEIVDATA, Phase IV DECnet database found
```

```
FAST CONFIGURATION OPTION
```

```
*** Not supported on cluster nodes.
```

```
You have the option of using the existing Phase IV information
to quickly configure DECnet-Plus. This provides full network access
and uses a local file to hold naming information. Very few questions
will be asked.
```

```
If you want to use the fast configuration option, answer YES to the next
question.
```

```
If you are running a DNS Server on this system, or plan to run a DNS
Server on this system, you *must* answer NO to the next question.
If you want more flexibility when configuring DECnet-Plus, also answer
NO.
```

```
Answering NO will cause some additional questions to be asked
regarding configuration.
```

```
* Do you want the fast default configuration?           [YES] : 
```

Press Return to continue with the FAST configuration option.

## Using the FAST Configuration Option

### 5.1 Invoking the FAST Configuration Option

The procedure informs you that the Phase IV database conversion has completed. The procedure also creates several accounts for the standard DECnet-Plus applications. (Note that, in the interest of clarity, several AUDIT\$SERVER-related OPCOM messages related to this account creation and modification process have been omitted from this example.)

```
%NET$CONFIGURE-I-PHASEIVCOMPL, Phase IV database conversion complete
Determining DTSS timezone rules from OpenVMS information...
%NET$CONFIGURE-I-CREDEFOSITEMPLATE, created default OSI templates
%NET$CONFIGURE-I-EVDDEFAULT, providing default Event Dispatcher configuration
%NET$CONFIGURE-I-MAKEACCOUNT, this procedure creates user account CML$SERVER
%NET$CONFIGURE-I-MAKEACCOUNT, this procedure creates user account VPM$SERVER
%NET$CONFIGURE-I-MAKEACCOUNT, this procedure creates user account MIRRO$SERVER
```

The procedure continues by displaying the current system configuration and asking if you want to apply the configuration:

```
Summary of Configuration

Node Information:

Directory Services Chosen:      LOCAL
Primary Directory Service:     LOCAL
Node Synonym:                  ASHFLD
Phase IV Address:              4.260
Phase IV Prefix:              49::
Session Control Address Update Interval:      10
Routing Node Type:            ENDNODE
Autoconfiguration of Network Addresses: Enabled
Routing ESHello Timer:       600
Routing ES Cache Size:      512

Device Information:

Device: EWA (TULIP):
Data Link name: EWA-0
Routing Circuit Name:  EWA-0

Transport Information:

NSP Transport:                  Configured
Maximum number of logical links: 200
Maximum Transmit and Receive Window: 20
Maximum Receive Buffers:       4000
Flow Control Policy:           Segment Flow Control

Congestion Avoidance Disabled

Event Dispatcher Configuration:

Sinks:                          local_sink
Outbound Streams: local_stream
Phase IV Relay: Enabled

* Do you want to apply this configuration?      [YES] : 
```

Answer YES to apply this configuration. If you answer NO, the procedure defaults to the BASIC configuration option.

If you answer YES, the procedure displays the following message:

```
%NET$CONFIGURE-I-CHECKSUM, checksumming NCL management scripts
```

The procedure then asks if you want to start the network:

```
* Do you want to start the network?          [YES] : 
```

## Using the FAST Configuration Option

### 5.1 Invoking the FAST Configuration Option

Answer YES if you want to start the network and complete your system's network configuration.

If you want to postpone starting the network, answer NO. When you answer NO, the procedure displays the following warning:

```
*****
You have decided not to start the network. NET$CONFIGURE.COM
cannot complete your system's network configuration since it needs
the network to be partially started in order to perform certain
operations. As a result, your system may be left in an inconsistent
state if you try to startup the network manually or if you decide
to reboot your system.

Once you are ready to start the network, please invoke the
NET$CONFIGURE.COM procedure, choose menu Option 2 (Change node
name/namespace name), and respond YES to starting the network so
that the configuration procedure can finish your system's network
configuration.
*****
```

HP recommends that you answer YES and start the network.

If you choose to start the network, the procedure displays information similar to the following (note that not all net\$startup messages are shown and that OPCOM messages have been omitted):

```
Copyright 2006 Hewlett-Packard Development Company, L.P.
%NET-I-LOADED, executive image LES$LES_V30.EXE loaded
%NET-I-LOADED, executive image NET$ALIAS.EXE loaded
%NET-I-LOADED, executive image NET$SESSION_CONTROL.EXE loaded
.
.
%NET$STARTUP-I-EXECUTESCRIPT, executing NCL script
  SYS$SYSROOT:[SYSMGR]NET$NODE_STARTUP.NCL
%NET$STARTUP-I-EXECUTESCRIPT, executing NCL script
  SYS$SYSROOT:[SYSMGR]NET$CSMACD_STARTUP.NCL
.
.
%NET$STARTUP-I-OPERSTATUS, DECnet-Plus for OpenVMS operational status is
  RUNNING-MAJOR

Directory Service: Phase IV database
Exporting node name information using: *
ASHFLD
Number of nodes exported: 1

Directory Service: Local name file
Updating nodes listed in SYS$MANAGER:NET$PHASEIV_NODES.DAT
ASHFLD
Number of nodes registered: 1
Number of nodes modified: 0
```

## Using the FAST Configuration Option

### 5.1 Invoking the FAST Configuration Option

```
%NET$CONFIGURE-I-CONVERTNODEDB, converted the Phase IV node database
%NET$CONFIGURE-I-NODERENAMED, node successfully renamed to LOCAL:.ASHFLD
%NET$CONFIGURE-I-FLUSHCACHE, flushing selected cache entries
Copyright 2006 Hewlett-Packard Development Company, L.P.
%NET$STARTUP-I-STARTPROCESS, starting process EVD
%NET$STARTUP-I-EXECUTESCRIPT, executing NCL script
  SYS$SYSROOT:[SYSMGR]NET$EVENT_STARTUP.NCL
  .
  .
%NET$STARTUP-I-OPERSTATUS, DECnet-Plus for OpenVMS operational status is
  RUNNING-ALL
%NET$CONFIGURE-I-CONFIGCOMPLETED, DECnet-Plus for OpenVMS configuration completed
$
```

You have just completed the initial configuration of DECnet-Plus. It should now be operational as an end node on the network.

See Figure 3–1 or Figure 3–2 to determine your next step. According to the flowcharts, you have just completed configuring DECnet-Plus.

### 5.2 Modifying a Current DECnet-Plus System Configuration

You can use the `net$configure` procedure to modify the current configuration. Depending on which menu option you select, `net$configure` either modifies the configuration automatically or produces modified NCL startup scripts that you can use to modify the system's configuration.

See Chapter 7 for information about running the `net$configure` BASIC or ADVANCED options to modify your DECnet-Plus configuration.



---

## Using the BASIC and ADVANCED Configuration Options

This chapter describes the BASIC and ADVANCED options of the `net$configure.com` procedure. Most sections begin with a general explanation of the configuration dialog discussed in the section. When the configuration dialog is common to both options, no special presentation is used.

### **BASIC**

If a portion of the configuration dialog description is unique to the BASIC option, the description is preceded by a **BASIC** subheading as shown here.

### **ADVANCED**

If a portion of the configuration dialog description is unique to the ADVANCED option, the description is preceded by an **ADVANCED** subheading as shown here.

### **BASIC and ADVANCED**

In certain rare cases, the **BASIC and ADVANCED** subheading is used to denote that the description is common to both options.

## 6.1 Invoking the Configuration Procedure

Begin by invoking the configuration procedure.

### **BASIC**

To invoke the `net$configure` procedure using the BASIC configuration option, enter the following command:

```
$ @sys$manager:net$configure basic
```

### **ADVANCED**

To invoke the `net$configure` procedure using the ADVANCED configuration option, enter the following command:

```
$ @sys$manager:net$configure advanced
```

## 6.2 Opening Messages

The procedure prints an opening message dependent on the configuration option you choose.

### **BASIC**

```
Copyright 2006 Hewlett-Packard Development Company, L.P.
```

```
DECnet-Plus for OpenVMS BASIC network configuration procedure
```

```
This procedure will help you create or modify the management scripts needed to operate DECnet on this machine. You may receive help about most questions by answering with a question mark '?'.

```

## Using the BASIC and ADVANCED Configuration Options

### 6.2 Opening Messages

You have chosen the BASIC configuration option. This option enables you to quickly configure your system by answering a few questions and using most of the default answers. If you would rather do some specific tailoring of your system's network configuration, you should invoke NET\$CONFIGURE.COM with the ADVANCED configuration option, ie:  
@SYSSMANAGER:NET\$CONFIGURE ADVANCED

#### ADVANCED

Copyright 2006 Hewlett-Packard Development Company, L.P.

DECnet-Plus for OpenVMS ADVANCED network configuration procedure

This procedure will help you create or modify the management scripts needed to operate DECnet on this machine. You may receive help about most questions by answering with a question mark '?'.

You have chosen the ADVANCED configuration option. This option enables you to do some specific tailoring of your system's network configuration by answering some specific questions. If you do not want to do specific tailoring of your system's network configuration but instead want to quickly configure your system using most of the default answers, you should invoke NET\$CONFIGURE.COM with the BASIC configuration option, ie:  
@SYSSMANAGER:NET\$CONFIGURE BASIC

#### BASIC and ADVANCED

If the procedure detects that the DECnet-Plus software has not been properly installed, it displays the following warning:

```
The base DECnet system components are not yet properly loaded.
DECnet cannot be started until the DECnet software has been
successfully installed and the system has been rebooted.
```

```
NET$CONFIGURE may fail if you answer YES to the next question. That
is because it may be necessary to start the network to establish
certain configurations. Hewlett-Packard recommends that you reboot
before attempting to configure the network.
```

Next, the procedure asks if you want to proceed with the configuration.

```
* Do you want to continue? [YES] :
```

Press Return to continue with the configuration.

The procedure now checks for the privileges and rights identifiers required to run the net\$configure procedure. For a list of required privileges and rights identifiers, see Section 1.7.4.

If the procedure finds insufficient process privileges, it displays the following messages and exits:

```
%NET$CONFIGURE-E-NOREQPRIV, privilege-list privileges are required
%NET$CONFIGURE-E-NOPRIV, insufficient privileges to run this procedure.
```

If the procedure finds insufficient rights identifiers, it displays the following messages and exits:

```
NET$CONFIGURE-E-NOREQRIGHTSID, rights id rights-identifier not granted
%NET$CONFIGURE-E-NORIGHTSID, insufficient rights identifiers to run this procedure
```

If you have the required privileges and rights identifiers and if this is the first time that you have run the configuration procedure, the procedure informs you that you are configuring your DECnet-Plus system for the first time:

## Using the BASIC and ADVANCED Configuration Options

### 6.2 Opening Messages

```
%NET$CONFIGURE-I-SETUPNEW, setting up for new configuration
```

Now you will be asked a few questions. If you need more information to answer a question, you can type ? at the prompts, or consult the DECnet-Plus for OpenVMS Installation and Configuration guide. To configure DECnet, you need to know your node's full name and network address(es). Please review the Installation and Configuration guide, and the checklists in particular, before continuing.

### 6.3 Specifying Phase IV Conversion Options

If a Phase IV database exists on the system, the procedure displays the following a message and asks if you want to convert the database:

```
%NET$CONFIGURE-I-PHASEIVDATA, Phase IV DECnet database found
```

A Phase IV database exists on your system. You have the option of using the existing Phase IV database to generate the NCL scripts and configure the system. If you do not want to use the existing Phase IV database to generate the NCL scripts and configure the system, then net\$configure will configure the system based on your answers to the configuration questions.

```
* Do you want to convert Phase IV databases?          [YES] :
```

If you answer NO, the net\$configure procedure does not use the system's existing Phase IV database to generate the NCL startup scripts and proceeds to ask all the configuration questions. Proceed to Section 6.4.

If you answer YES, the net\$configure procedure uses the system's existing Phase IV database to generate the NCL startup scripts and configure the system. The procedure asks the following question to determine the Phase IV prefix to use during the conversion:

```
* Enter Phase IV Prefix                               [49::] :
```

Usually, when a Phase IV database is found, a Phase IV local node name database is also found. The procedure continues by asking if you want to convert the Phase IV local node name database:

You may convert your Phase IV node database to a local node name database. This will provide node name translation if you opt to use LOCAL in the list of directory services to be used on this system. This is unnecessary if you do not intend to include LOCAL in your directory service search list.

```
* Do you want to convert the Phase IV node name database? [YES] :
```

Answer YES if you want the configuration procedure to use the entries in the existing Phase IV node name database to generate a Phase V Local namespace database. (See Section 6.4.1 for information about directory services and the Local namespace.) Answer NO if you do not want to convert the database.

The procedure converts the Phase IV databases immediately. However, the conversion of the Phase IV node name database is delayed until the namespace modification section (see Section 6.16). The procedure indicates that it has successfully converted the Phase IV databases with the following message:

## Using the BASIC and ADVANCED Configuration Options

### 6.3 Specifying Phase IV Conversion Options

%NET\$CONFIGURE-I-PHASEIVCMPL, Phase IV database conversion complete

---

#### Note

---

The conversion process enables all FDDI and CSMA-CD stations found in the Phase IV configuration, regardless of their previous line states.

---

## 6.4 Configuring Node and Session Control Information

The process for configuring node and session control information consists of the following items:

- Directory name services
- Node full names
- Node synonym
- Naming cache timeout interval
- Session control address update interval
- Naming cache checkpoint interval

If you have installed the DECdns Server option during the DECnet-Plus installation process, the procedure begins by informing you that the DECdns server startup file is being renamed and that you must configure the node as a DECdns clerk before you can configure the node as a DECdns server:

```
A SYS$STARTUP:DNS$SERVER_STARTUP.COM file has been located.  
This file is being renamed because the node must be configured  
as a DNS clerk before it can be re-configured as a DNS server.
```

```
After the node has been configured as a DNS clerk, you may choose  
to re-run NET$CONFIGURE Option 2 to rename the node into a  
DNS server.
```

Once you have configured the node as a DECdns clerk, see Section 7.6.5 for an example of converting the node from a DECdns clerk to a DECdns server.

### 6.4.1 Specifying Directory Name Services

DECnet-Plus provides access to the node name and addressing information stored in one or more name services. DECnet-Plus supports the following directory name services:

- Local namespace — A discrete, nondistributed namespace that stores name and address information locally in database files.
- DECdns — The HP DECnet-Plus Distributed Name Service, a distributed, global name service.
- Domain Name System — The Domain Name System (DNS/BIND), a global name service for the storage of IP addresses.

The sections that follow give a short introduction to each of the name services. For more information on name services, refer to the *DECnet-Plus Planning Guide*.

## Using the BASIC and ADVANCED Configuration Options

### 6.4 Configuring Node and Session Control Information

#### 6.4.1.1 The Local Namespace

DECnet-Plus includes a Local namespace, independent of DECdns, that is designed to scale to at least 100,000 nodes. The actual number of nodes that the Local namespace can hold depends on the space available on your system.

The Local namespace is a discrete, nondistributed namespace that exists on a single node and provides that node with a local database of name and address information. The prefix LOCAL: (or local:) is reserved to indicate that the information for the node is stored in the Local namespace.

DECnet-Plus recognizes that when a node full name begins with LOCAL:, information for that node is stored in a Local namespace. The following are typical node full names properly formatted for the Local namespace: LOCAL:.ma.ashfld and local:.ashfld.

Unlike DECdns, the Local namespace does not employ backtranslation directories for address-to-node-name translation.

#### 6.4.1.2 The HP DECnet-Plus Distributed Name Service (DECdns)

DECdns is a networkwide service that makes it possible to use network resources without knowing their physical location. Users and applications can assign DECnet-Plus names to resources such as nodes. The creator of a name also supplies other relevant information, such as the resource's network address, for DECdns to store. Users then need to remember only the name, and DECdns acts as a lookup service, providing the rest of the data when necessary. The following are typical node full names properly formatted for the DECdns namespace: XYZ\_CORP:.usa.ma.ashfld and CMP:.accounting.recv.paul.

#### 6.4.1.3 The Domain Name System

The Domain Name System (DNS/BIND) is supported for storage of IP addresses. Refer to your BIND server documentation for specific installation and configuration instructions. For a list of supported vendors, see the *DECnet-Plus for OpenVMS Software Product Description* (SPD). Any properly constructed DNS/BIND node name is supported by DECnet-Plus.

DECnet-Plus recognizes that when a node full name begins with DOMAIN:, information for that node is stored in a DNS/BIND server. In most cases, the configuration procedure also accepts fully-qualified host names for the node's full name. The following are typical node full names properly formatted for the DOMAIN namespace: DOMAIN:ashfld.ma.com. and ashfld.ma.com.

#### 6.4.1.4 The Name Service Search Path

The name service search path applies systemwide and allows DECnet-Plus to search a list of name services in a predetermined order when looking up names or addressing information. The search path includes naming templates that tell DECnet-Plus how to interpret any abbreviated node names entered by users.

The ordering of the name services is very important. The first name service listed is the **primary name service** to use on the system. The primary name service is the first choice used when looking up names and addressing information. The remaining name services listed are the **secondary name services** used on the system.

The search path contains a list of name service keywords, each followed by a **naming template** that specifies a defaulting rule so users can enter shorter node names.

## Using the BASIC and ADVANCED Configuration Options

### 6.4 Configuring Node and Session Control Information

To create the node's name service search path, begin by entering an ordered list of the directory name services you want to use on the system. At the prompt, you can choose the following name services for the system: LOCAL, DECDNS, and DOMAIN. If you enter more than one name service, separate the name services with commas.

\* Enter the directory services to use on the system [DECDns,Local,Domain] :

For example, entering DECDNS, LOCAL, DOMAIN at the prompt, means the following:

- You want to use the name services DECDns, Local, and DNS/BIND.
- The primary name service is DECDns.
- The secondary name services are Local and DNS/BIND, in that order.

---

#### Notes

---

If you intend to make this node a DECDns server, you must first configure the node with only the Local name service or as a clerk in an existing DECDns namespace. After completing the initial configuration, reinvoke the net\$configure procedure and select Option 2 — Change Naming Information. At this point, net\$configure will give you the option of converting the node to a DECDns server.

All members in a cluster should have identical name service search paths configured. This helps to ensure that nodes are recognized in the various services you have identified. For example, if you receive mail on one node in the cluster, the "From" node name may be LOCAL:.NODE:SMITH. If you attempt to reply to this node from a node in the cluster that does not have the Local namespace configured, the system would indicate that there is no such node.

---

#### 6.4.2 Specifying Node Full Names

After requesting the ordered list of directory name services, the configuration procedure prompts you for one or more node full names. You can enter a DECDns full name, a Local namespace full name, a fully qualified host name for the Domain Name System (DNS/BIND), or all three.

Use the following guidelines for selecting a node full name:

- For DECDns and Local, the node full name has the format NamespaceNickname:[.DirectoryPath].NodeObject. Note that the name must begin with the namespace nickname and a colon (:). The nickname for the Local namespace is always LOCAL: (or local:). The namespace nickname LOCAL is reserved for the Local namespace and cannot be used for a DECDns namespace. The namespace nickname and the node object cannot be null strings.
- For DECDns and Local, the directory path must begin with a dot (.).
- The full name can be up to 512 characters long, the namespace nickname can be up to 255 characters, and the directory path and node object can be up to 255 characters.



## Using the BASIC and ADVANCED Configuration Options

### 6.4 Configuring Node and Session Control Information

- The full name can be any combination of letters, digits, and certain punctuation characters from the ISO Latin-1 character set. Some other characters are allowed as long as they are enclosed in quotation marks. For a list of all allowable characters, refer to the *HP DECnet-Plus for OpenVMS DECdns Management* manual.
- For DNS/BIND, enter a fully qualified IP host name.

The following are some examples of suitable node full names:

```
Local namespace - LOCAL:.TomThumb
DECdns         - ACME:.wabbit.Elmer
Domain         - elmer.wabbit.acme.edu
```

---

#### Note

---

If you plan to use a Local namespace and you are converting a Phase IV system to DECnet-Plus, HP recommends that you use the system's Phase IV node name in the DECnet-Plus full name (for example, LOCAL:.PASTRY).

---

You should plan node full names carefully and make sure they are unique within the namespace. If your network administrator has not assigned a unique node full name for your system, be sure to read the *DECnet-Plus Planning Guide* before you assign a node name for your system.

The prompts used by the configuration procedure depend on the directory name services you entered. For example, if you enter LOCAL, DECDNS, DOMAIN at the directory services prompt, the configuration dialog asks for a Local full name, a DECdns full name, and a fully qualified host name for DNS/BIND.

```
* Enter the full name for directory service LOCAL   : LOCAL:.ELMER
* Enter the full name for directory service DECDNS  : ACME:.WABBIT.ELMER
* Enter the fully qualified host name for DNS/BIND  : ELMER.WABBIT.ACME.EDU
```

#### 6.4.3 Specifying the Node Synonym

The node synonym is an alphanumeric character string between one and six characters long. The first character must be an alphabetic character; after the first character, the string can contain either alphabetic or numeric characters.

The node synonym is primarily a transition tool that allows you to use a Phase IV-style node name for your DECnet-Plus node. Other users can then find your node by using this synonym rather than your full name. If you are transitioning from DECnet Phase IV, consider using your Phase IV node name as your synonym. The synonym is required for Phase IV applications that can only handle Phase IV-style node names. If your network has only DECnet-Plus or OSI (Open Systems Interconnection) systems, you may not need a node synonym.

The default node synonym is the first six characters of the system's last simple name. The last simple name is the string that follows the last period of your full name. For example, if you specify XYZ\_CORP:.sales.east\_coast.BrianMacKrill as a node full name, the default node synonym is BrianM.

## Using the BASIC and ADVANCED Configuration Options

### 6.4 Configuring Node and Session Control Information

If this system had previously been running DECnet Phase IV software, then you should use the old Phase IV node name as the synonym. If this system is joining a DECnet network for the first time, you can use any name for the synonym, as long as it meets the criteria listed above, and is unique within the network.

```
* What is the synonym name for this node?          [ELMER] :
```

For information on node synonym directories, see Section B.2.

#### 6.4.4 Specifying the Naming Cache Timeout Value

A naming cache is used to improve the performance of node name to address resolution. This naming cache supersedes the DECdns cache in older DECnet-Plus versions and is used when looking for addresses in the Domain and Local services, in addition to DECdns. Note that other applications that directly use DECdns will continue to use the DECdns cache instead of the naming cache.

The naming cache includes a mechanism to time out old entries. In this way, these entries are refreshed periodically to reflect the actual network environment.

##### **BASIC**

The BASIC option sets the naming cache timeout value to the default value of 30 days (30-00:00:00).

##### **ADVANCED**

The ADVANCED option prompts for the naming cache value:

```
* Naming cache timeout value?                      [30-00:00:00] :
```

To choose the default value of 30 days, press Return. Otherwise, enter any legal OpenVMS delta time value.

#### 6.4.5 Specifying the Session Control Address Update Interval

The session control address update interval is the time, in seconds, between updates of local tower address information.

##### **BASIC**

The BASIC option sets the session control address update interval to the default value of 10 seconds.

##### **ADVANCED**

The ADVANCED option prompts for the session control address update interval:

```
* Session Control Address Update Interval ?       [10] :
```

To choose the default value of ten seconds, press Return. Otherwise, enter an interval value in seconds and press Return.

#### 6.4.6 Specifying the Naming Cache Checkpoint Interval

Periodically, DECnet-Plus saves a snapshot of the in-memory naming cache to disk. This allows systems, during startup, to have a naming cache that is already populated with entries, thereby preserving the contents of the naming cache across system reboots.

##### **BASIC**

The BASIC option sets the naming cache checkpoint interval to the default value of 8 hours.



## Using the BASIC and ADVANCED Configuration Options

### 6.4 Configuring Node and Session Control Information

#### ADVANCED

The ADVANCED option prompts for the naming cache checkpoint interval:

```
* Naming cache checkpoint interval?           [08:00:00] :
```

To choose the default value of eight hours, press Return. Otherwise, enter any legal OpenVMS delta time value.

## 6.5 Configuring Routing Parameters

The process for configuring routing parameters consists of the following items:

- Node type (end node or router)
- Router information
  - Router type
  - Maximum path splits
  - Phase IV maximum address
  - Phase IV maximum area
- Phase IV address
- Phase IV prefix
- End node information
  - Network addresses
  - DNA address format
  - Routing mode
- Default ES Hello Timer
- ES Cache Size

### 6.5.1 Specifying the Node Type

DECnet-Plus for OpenVMS allows an OpenVMS system to run integrated IS-IS, thus providing host-based routing functionality. Answer `ROUTER` if you want this system to support the host-based routing functionality. If you answer `ROUTER`, you must have the extended function license (see Section 1.6) for the host-based routing software to function. Answer `ENDNODE` if this system will depend on other nodes to provide routing.

```
* What type of node (Endnode or Router)?       [ENDNODE] :
```

To configure an end node system, press Return. Otherwise, enter the node type.

### 6.5.2 Specifying Router Information

This section only applies if you chose to configure your system as a router.

#### 6.5.2.1 Routing Type

A DECnet-Plus router can provide intra-area routing capability (known as level 1 routing) or inter-area level routing capability (known as level 2 routing).

```
* Type of routing node (L1 or L2)?             [L1] :
```

## Using the BASIC and ADVANCED Configuration Options

### 6.5 Configuring Routing Parameters

To configure a level 1 router, press Return. Otherwise, enter L2 for level 2 routing capability.

---

#### Note

---

Immediately preceding this question, the procedure displays an informational message explaining that `net$configure` always generates a router that uses the routing vector protocol:

`NET$CONFIGURE` will assume that the `MANUAL L1 ALGORITHM` and the `MANUAL L2 ALGORITHM` (if present) will be `ROUTING VECTOR`.

If `LINK STATE` is to be designated as the preferred routing algorithm at either level, the DCL command file `SYS$MANAGER:ISIS$CONFIGURE.COM` must be invoked AFTER this procedure to correctly configure the `NET$ROUTING_STARTUP.NCL`.

For information about using the `isis$configure` procedure to configure a router that uses the link state routing protocol, see Appendix D.

---

#### 6.5.2.2 Maximum Path Splits

A routing node may use multiple paths of equal cost to route traffic. The answer to this question specifies the maximum number of these paths between which the traffic is split.

##### BASIC

The BASIC option sets maximum path splits to the default value of 2.

##### ADVANCED

The ADVANCED option prompts for the maximum path splits value:

```
* Maximum path splits [2] :
```

To choose the default value of 2, press Return. Otherwise, enter a number between 1 and 32.

#### 6.5.2.3 Phase IV Maximum Address and Maximum Area

The next two questions control which Phase IV packets are forwarded by a router. The Phase IV maximum address characteristic prohibits Phase IV packet forwarding to any node with a higher address than the specified value. The Phase IV maximum area characteristic prohibits Phase IV packet forwarding to any area with a higher area number than the specified value. The Phase IV maximum area question is asked only for level 2 routers. HP recommends that both defaults be taken to prevent any unintended packet loss.

##### BASIC

The BASIC option sets the Phase IV maximum address to the default value of 1023. If the system is a level 2 router, the BASIC option sets Phase IV maximum area to the default value of 63.

##### ADVANCED

The ADVANCED option prompts for the Phase IV maximum address value:

```
* PhaseIV Maximum Address [1023] :
```

To choose the default value of 1023, press Return. Otherwise, enter a number between 1 and 1023.

## Using the BASIC and ADVANCED Configuration Options

### 6.5 Configuring Routing Parameters

If the router is a level 2 router, the ADVANCED option also prompts for the Phase IV maximum area value:

```
* PhaseIV Maximum Area [63] :
```

To choose the default value of 63, press Return. Otherwise, enter a number between 1 and 63.

#### 6.5.3 Specifying a DECnet Phase IV Address

If you want your system to communicate with Phase IV nodes, you must specify a Phase IV address and a Phase IV prefix. DECnet-Plus systems reference all network addresses (including Phase IV addresses) using the OSI Network Service Access Point (NSAP) address formats. The Phase IV address and a Phase IV prefix are used to construct a complete NSAP address.

A DECnet Phase IV-compatible address is a DECnet-Plus address, in the form *area-number.node-number*, that conforms to the Phase IV area and node limits; that is, the area number is from 1 to 63, and the node number is from 1 to 1023.

If there are no Phase IV systems on your network or you do not want to communicate with Phase IV systems, you do not need a Phase IV-compatible address. Entering a Phase IV address of 0.0 at configuration time indicates that this DECnet-Plus system does not have a Phase IV-compatible address, and will not communicate with Phase IV nodes.

```
* Enter PhaseIV Address [15.27] :
```

Enter the Phase IV address you want to use, or enter 0.0 if you do not want to communicate with Phase IV nodes.

#### 6.5.4 Specifying a Phase IV Prefix

All nodes within a single addressing domain contain the same initial domain part (IDP) in their network addresses. The default value for the Phase IV prefix is 49:: which represents the private network initial domain part (IDP). This is appropriate for a Phase IV DECnet network that contains some DECnet-Plus systems.

---

#### Note

---

If you are using a Phase IV prefix other than 49::, it **must** be assigned by an authorized standards organization, such as ANSI, or you must construct a Phase IV prefix that you know is globally unique (based on your telephone number, for instance). If your organization has allocated its own Phase IV prefix, you can enter that value instead of 49::. The *DECnet-Plus Planning Guide* contains a detailed description of how to construct an IDP and how to apply to a standards organization for an IDP.

---

#### BASIC

The BASIC option sets the Phase IV prefix to its default value of 49::. If you do not enter a Phase IV-compatible address, the BASIC option does not assign a Phase IV prefix value.

## Using the BASIC and ADVANCED Configuration Options

### 6.5 Configuring Routing Parameters

#### ADVANCED

If you entered a Phase IV-compatible address, the ADVANCED option prompts for the Phase IV prefix value:

```
* Enter Phase IV Prefix [49::] :
```

To choose the default value of 49::, press Return. Otherwise, enter a valid IDP value.

### 6.5.5 Specifying End Node Information

This section applies only if you chose to configure your system as an end node.

#### 6.5.5.1 Network Addresses

Your system must have at least one unique network address in order to use DECnet-Plus communications features. DECnet-Plus systems can be multihomed; that is, they can have more than one network address. You can assign up to three network addresses to your system.

Having multiple addresses allows you to have both a DECnet-Plus extended address and a Phase IV-compatible address, so you can communicate with both Phase IV and DECnet-Plus systems on the same network. It also allows you to belong to more than one OSI network. This feature is particularly useful when you want to combine two (or more) networks. Rather than assign new addresses to all systems in both networks to reflect the new combined network, those systems that participate in both networks can have an address in each network.

Network addresses are sometimes referred to in OSI terminology as network entity titles (NETs). NETs are network service access points (NSAPs) with a selector of 00.

#### BASIC

The BASIC option autoconfigures one network address for you.

#### ADVANCED

The ADVANCED option prompts you for the method to create network addresses:

```
* Autoconfigure network addresses? [YES] :
```

There are two ways to configure NETs: by autoconfiguring addresses or by manually configuring addresses. To choose to autoconfigure network addresses, press Return. Otherwise, enter NO. The two methods are described in detail in the following paragraphs.

#### Autoconfiguring Network Addresses

Answer YES to have your system autoconfigure its network address. To use this option, you must be using only Phase V (OSI) addressing.

If you have an OSI router from a supplier other than HP adjacent to your system, do not choose autoconfiguration unless you know that the router uses NETs with a selector of 00. This restriction applies even if you have a WANrouter as well as another supplier's OSI router on the same LAN. OSI routers that specify NETs differently can cause you to autoconfigure your network addresses incorrectly. If you have such a router, you must choose to manually configure your NETs by answering NO to the autoconfiguration question.

## Using the BASIC and ADVANCED Configuration Options

### 6.5 Configuring Routing Parameters

#### Manually Configuring Addresses

If you answer NO, the procedure prompts you to manually enter network entity titles. If you configured a DECnet Phase IV-compatible address the procedure precedes the prompt with a message informing you that it is including that address in the list of NETs:

```
%NET$CONFIGURE-I-PHASEIVNETINCL, the Phase IV N.E.T. will be included: phaseiv-net
* Enter Manual Network Entity Titles [ ]:
```

You can assign a maximum of three network addresses to the system, including the Phase IV-compatible network address. If you enter multiple addresses, separate the addresses using commas.

To create a NET manually, you need to know your system's network IDP, network local area, and node ID.

For example, given the following information:

```
A network IDP of 41:45436192:
A network local area of 43
A node ID of 258
```

The NET is constructed as follows:

```
IDP and selector      = 41:45436192:local-area:node-id:00
43 decimal           = 2B hexadecimal (local area)
(43 * 1024) + 258    = 44290 decimal
44290 decimal        = AD02 hexadecimal
AD02 swapped         = 02AD hexadecimal (node ID)
```

The resulting NET is 41:45436192:00-2B:AA-00-04-00-02-AD:00

---

#### Note

---

NETs can be entered in OSI format, DNA format, or hexadecimal format. Make sure you include the 00 selector when you manually specify a NET.

---

For more information on how to construct DNA and OSI NETs, see the chapter on NSAPs in the *DECnet-Plus Planning Guide*.

#### 6.5.5.2 DNA Address Format

The DIGITAL Network Architecture (DNA) Address Format attribute controls the interpretation of address structuring. It does not control autoconfiguration. To control autoconfiguration, you need to use the Manual Network Entity Titles attribute by manually adding or removing NETs.

##### BASIC

The BASIC option sets the routing characteristic DNA address format to TRUE.

##### ADVANCED

The ADVANCED option prompts you for the DNA address format setting:

```
* DNA Address Format [TRUE] :
```

To choose the default value of TRUE, press Return. Otherwise, enter FALSE, and enter at least one manual network entity title. See Section 6.5.5.1.

## Using the BASIC and ADVANCED Configuration Options

### 6.5 Configuring Routing Parameters

#### 6.5.5.3 Segregated Mode Routing and Integrated Mode Routing

You have the option of using integrated mode routing or segregated mode routing.

**Integrated mode routing** — sends DECnet Phase IV messages across the network using DECnet Phase V Network layer protocols. Routers receiving DECnet Phase IV packets translate them to OSI CLNP format before forwarding them. Messages destined for DECnet Phase IV systems are translated to Phase IV format only on the last hop of their journey. Integrated mode routing allows routers to route both DECnet Phase IV and Phase V traffic while storing a single network topology in their internal databases.

Under integrated mode, DECnet-Plus systems attempt to send packets in DECnet Phase V format unless one of the following is true:

- They are communicating directly to an adjacent DECnet Phase IV system.
- No DECnet Phase V routers exist on the network to forward the packets.

**Segregated mode routing** — handles DECnet Phase IV and Phase V as independent protocols. Routers do not translate messages between DECnet Phase IV and Phase V formats. The routers must maintain separate network topologies in their internal databases to handle each type of protocol.

Under segregated mode, DECnet-Plus end systems transmit messages in the Phase IV address format if they have a DECnet Phase IV translatable destination address. All other messages are sent in DECnet Phase V format. If you use routers that do not support the technique of translating DECnet Phase V addresses to DECnet Phase IV, you must use segregated mode routing.

On OpenVMS systems, integrated mode is the default routing mode. Use integrated routing mode in an integrated routing environment where the routers can handle Phase-IV-to-Phase-V or Phase-V-to-Phase-IV packet format conversions. Use segregated routing mode when the adjacent routers cannot perform Phase-IV-to-Phase-V or Phase-V-to-Phase-IV packet conversions.

---

#### Note

---

If your OpenVMS system is using a cluster alias, you must use integrated mode.

---

#### BASIC

The BASIC option selects the integrated routing mode.

#### ADVANCED

The ADVANCED option prompts you for the routing mode setting:

```
* Do you want to use segregated mode routing?          [NO] :
```

To choose the default value of integrated routing mode, press Return. Otherwise, enter YES to choose segregated routing mode.

#### 6.5.6 Specifying the Default ES Hello Timer

The default ES Hello timer value determines the interval, in seconds, that the end system (ES) uses when sending out its Hello messages. This interval multiplied by 3 is the amount of time the other end of a routing adjacency waits before determining that this system is no longer able to accept connections.

## Using the BASIC and ADVANCED Configuration Options

### 6.5 Configuring Routing Parameters

#### **BASIC**

The BASIC option sets the ES Hello timer value to 600.

#### **ADVANCED**

The ADVANCED option prompts you for the ES Hello timer setting:

```
* Routing Default ES Hello Timer?                [600] :
```

To select the default of 600, press Return. Otherwise, choose your own value and press Return.

#### **6.5.7 Specifying the ES Cache Size**

The routing ES Cache Size attribute specifies the maximum number of entries in the ES cache.

#### **BASIC**

The BASIC option sets the ES cache size value to 512.

#### **ADVANCED**

The ADVANCED option prompts you for the ES cache size setting:

```
* Routing ES Cache Size?                          [512] :
```

To select the default of 512, press Return. Otherwise, choose your own value and press Return.

## **6.6 Configuring Devices**

The `net$configure` procedure checks for network devices on the system that are supported by `net$configure` and then configures them.

### **6.6.1 Configuring WANDD Device Support**

The `net$configure` procedure begins device configuration by checking to see if the Wide Area Network Device Drivers (WANDD) software has been installed but not configured. The WANDD software provides synchronous device support for DECnet-Plus.

If it finds the WANDD configuration file (`sys$startup:wandd$configure.com`), it displays a short message and asks if you want to add WANDD devices to your configuration:

```
You have installed wide area device support, but it has not been
configured. You may configure it now if you want.
```

```
* Do you want to configure Wide Area devices?      [YES] :
```

To add WANDD devices to your configuration, press Return. To skip over the WANDD device configuration, enter NO and press Return.

If you select WANDD device configuration, the `net$configure` procedure invokes the WANDD configuration file, (`sys$startup:wandd$configure.com`). The next two sections describe the WANDD configuration dialog on OpenVMS I64 and OpenVMS Alpha systems and on OpenVMS VAX systems.



## Using the BASIC and ADVANCED Configuration Options

### 6.6 Configuring Devices

#### 6.6.1.1 WANDD Device Configuration on OpenVMS I64 and OpenVMS Alpha Systems

If you select WANDD device configuration on an OpenVMS I64 or OpenVMS Alpha system, the WANDD configuration procedure displays the following messages and asks the indicated questions:

```
Configuring WANDD... ['?' for HELP]
%WANDD$CONFIGURE-I-WANDDNOTCONFIG, WANDD has not been configured.
Configure WANDD? [YES]

All installed autoconfigurable synchronous device drivers
will be configured. However, the built-in serial port will
only be configured if you answer "YES" to the next question.

Configure built-in serial port as synchronous? [YES]
Are you satisfied with your answers? [YES]
```

By default, when the WANDD configuration procedure is called for the first time, the procedure does the following:

1. Loads the appropriate synchronous device drivers which enable connection to a wide area network via a serial port.
2. If the processor supports the built-in serial port (TTA1), a question is displayed asking if you want to configure the port for wide area network use. The built-in serial port supports both asynchronous and synchronous communications. If you elect to configure the built-in port, it will be available for synchronous wide area network communications only.

The dialog displays the following text if the port is present but unavailable:

```
The built-in serial port is currently unavailable for
synchronous communications. This is possibly because the
console has been configured to use it. You are still able to
reserve this port for synchronous communications but be aware
that it will only be made available when the console is not
making use of it.
```

#### 6.6.1.2 WANDD Device Configuration on OpenVMS VAX Systems

If you select WANDD device configuration on an OpenVMS VAX system, the WANDD configuration procedure displays the following messages and asks the indicated questions:

```
This is the Configuration Procedure for the
=====
VAX Wan Device Drivers for DECnet-Plus for VMS
=====

The Wide Area Network Datalinks and Drivers are a prerequisite
for DECnet-Plus. They also provide synchronous datalinks in
systems that do not use DECnet-Plus for networking.

Access to DECnet-Plus datalinks (created by NCL) is possible via
the QIO interface to the WAN pseudo-driver, WANDRIVER. Layered
products that use synchronous devices do not normally require
programming access to WANDRIVER. For further information, see
the "DECnet/OSI for VMS WANDD Programming" guide.

Do you wish to use WANDRIVER [N] ?
Will you use DEC HDLC [Y] ?
Will you use LAPB/E (VAX P.S.I. requires LAPB/E) [Y] ?

The DSV11 (Q-bus), DIV32 (Q-bus), DSB32 (BI-bus), DSF32 (MI-bus) and
DSW devices are soft-loadable. The WANDD startup procedure will load
the microcode for these devices if required.
```



## Using the BASIC and ADVANCED Configuration Options

### 6.6 Configuring Devices

Do you have any soft-loadable microcode devices on this system [N] ?  
Will you use the VAXft DSF32 device driver [N] ? Y

The VAXft DSF32 software supports the pairing of physical controllers to provide a fault-tolerant configuration. Such a pairing is called a Failover Set. The DSF32 device does not automatically create the failover sets, so you will need to pair controllers using the Failover Set Manager software.

This management software can be invoked during system startup from within the command procedure WANDD\$STARTUP\_SF.COM, which is placed in the SYS\$STARTUP directory by the kit installation procedure. If you want to have these Failover Sets automatically configured when the system starts up you will need to modify WANDD\$STARTUP\_SF.COM to include Failover Set Manager commands that you require.

Are you satisfied with the answers you have given [Y] ?

If you have already started up the WAN Drivers and Datalinks (that is, if you have already successfully run SYS\$STARTUP:WANDD\$STARTUP.COM since your system was last booted), then you will need to reboot your system for your new configuration to take effect.

#### 6.6.2 The Configuration Procedure Device Scan

After adding the WANDD devices, the net\$configure procedure does a complete system device scan:

```
%NET$CONFIGURE-I-SCANCONFIG, scanning device configuration - please wait
```

If no devices are found, the procedure displays a message and asks if you want to perform an autoconfigure operation to create a new set of available devices:

```
%NET$CONFIGURE-W-NODEVICES, no devices found  
Should devices be autoconfigured? [YES] :
```

If you want to have the procedure autoconfigure devices, press Return. If you enter NO, the configuration procedure continues without autoconfiguring devices. However, if you do not autoconfigure devices, no devices will be available. On OpenVMS I64 and OpenVMS Alpha systems, the autoconfiguration is done using the command `mcr sysman io auto`. On OpenVMS VAX systems, the autoconfiguration is done using the command `mcr sysgen autoconfigure all`.

#### 6.6.3 Configuring Asynchronous Data Link Support (OpenVMS VAX Only)

Normally, the OpenVMS system controls lines connected to terminal ports, as in interactive logins. You can, however, switch the line so that the DECnet-Plus software can use the line for an asynchronous data link to another system. Asynchronous data links are implemented in software and can be run over any directly connected terminal line that the OpenVMS system supports.

The asynchronous protocol provides for a full-duplex data link and can be used for remote asynchronous communications over a telephone line using a modem. Asynchronous data links are not supported for maintenance operations or for controller loopback testing.

---

#### Note

---

For more information about asynchronous data link support on VAX systems, see the "Configuring Asynchronous Data Links" appendix in the *HP DECnet-Plus for OpenVMS Network Management* manual.

---

## Using the BASIC and ADVANCED Configuration Options

### 6.6 Configuring Devices

#### BASIC

The BASIC option does not offer the choice of configuring asynchronous devices. Proceed to Section 6.6.4.

#### ADVANCED

The ADVANCED option asks whether you want to configure asynchronous data links:

```
* Do you want asynchronous datalink support?      [YES] :
```

Answer NO if you do not want to configure any asynchronous data links. Proceed to Section 6.6.4.

If you answer YES, the procedure verifies that the asynchronous device driver (sys\$ldr:asydriver.exe) is available. If the file is not found, the procedure displays a warning that you must install the WANDD software:

```
*****  
                               WARNING  
  
The WANDD software is not installed on the system.  If you want  
asynchronous datalink support, make sure that the WANDD software  
is installed and configured on your system.  
*****
```

The procedure allows you to continue. However, you must install the WANDD software or the data links you configure will be unusable.

#### 6.6.3.1 Static Data Links

A static asynchronous data link creates a permanent DECnet link to a single remote node. Two nodes are connected either by a dialup line or by a physical line attached to a terminal port at each end. Before the DECnet connection is made, the terminal line must be converted to a static asynchronous DDCMP line (see Section 6.6.3.3).

The procedure begins by asking if you want to configure any static data links:

```
* Do you want to configure static lines?          [YES]:
```

Answer NO if you do not want to configure any static asynchronous data links. Proceed to Section 6.6.3.2.

If you answer YES, the procedure asks you for the device names of the terminal lines that you want to configure as static asynchronous data links:

```
* Terminal device name (ex: TXA0, TXA2, ...)?     []:
```

Enter the OpenVMS device names of one or more available terminal lines. If you want to configure multiple devices enter two or more device names separated by commas. The configuration procedure displays the following dialog for each device you enter.

1. First, the procedure checks for the presence of the device. If the procedure is unable to find the indicated terminal device, it displays a warning message and asks if you want to continue:

```
%NET$CONFIGURE-W-NOSUCHDEV, no such device found - device-name  
Do you want to continue configuring this line?    [YES]:
```

Answer NO to quit the configuration of this line. Answer YES if you want to continue.

## Using the BASIC and ADVANCED Configuration Options

### 6.6 Configuring Devices

2. If you answer YES, the procedure continues the device configuration by asking you for the device's line speed:

Line speed for TTA0? [2400]:

3. Next, the procedure asks you about the modem control requirements for the device:

Will this line require full modem control? [YES]:

When all devices in the device list have been configured, the procedure begins the dynamic data link configuration section.

#### 6.6.3.2 Dynamic Data Links

A dynamic asynchronous data link provides a temporary DECnet link. A dynamic asynchronous line is normally switched on for network use only for the duration of a dialup connection between two nodes. When the telephone is hung up, the line reverts to being a terminal line. An advantage of dynamic data links is that you can establish connections to different remote nodes at different times.

When using a dynamic data link, you can use an explicit line or you can use a floating line. An explicit line is tied to a specific OpenVMS terminal device. A floating line is not tied directly to a specific terminal device. Before the DECnet connection is made, the terminal line must be converted to a dynamic asynchronous DDCMP line (see Section 6.6.3.3).

The procedure begins by asking if you want to configure any dynamic data links:

Do you want to configure dynamic lines? [YES]:

Answer NO if you do not want to configure any dynamic asynchronous data links. Answer YES if you want to configure either explicit or floating dynamic data links.

#### Explicit Dynamic Data Links

The procedure then asks if you want to create any explicit dynamic lines:

\* Do you want to configure explicit dynamic lines? [YES]:

Answer NO if you do not want to configure any explicit dynamic asynchronous data links. Proceed to the section entitled "Floating Dynamic Data Links."

If you answer YES, the procedure uses the same questions discussed in Section 6.6.3.1 to obtain the list of terminal device names, and then the line speed and modem control requirements of each device. When all devices in the device list have been configured, the procedure proceeds to the floating dynamic data link configuration section.

#### Floating Dynamic Data Links

The procedure next asks if you want to create any floating dynamic lines:

\* Do you want to configure floating dynamic lines? [YES]:

Answer NO if you do not want to configure any floating dynamic asynchronous data links. If you answer NO, the procedure asks if you want to configure any more asynchronous data links at this time:

\* Do you want to configure any more asynch lines? [NO]:

Answer YES to return to the static asynchronous lines dialog (see Section 6.6.3.1). If you answer NO, proceed to Section 6.6.4.

## Using the BASIC and ADVANCED Configuration Options

### 6.6 Configuring Devices

If you answer YES to the floating dynamic lines question, the procedure begins their configuration. Floating dynamic lines are configured in groups based on line speed and modem control requirements. First, the configuration procedure asks you the line speed and modem control requirements for the data link group using the line speed and modem questions discussed in Section 6.6.3.1:

```
* Line speed for device-name?           [2400]:  
* Will this line require full modem control      [YES]:
```

Next, the procedure asks you for the number of floating lines to configure with these characteristics:

```
* Number of floating speed bps control modem ctrl lines? [1]:
```

Enter the number of floating data lines you want to configure with the indicated device characteristics.

The procedure then asks if you want to configure another set of floating dynamic lines with different speed and modem characteristics:

```
* Do you want to configure any more floating lines?  [YES]:
```

If you answer YES, the procedure asks another series of speed, modem control, and number questions for the next group of floating dynamic lines. Answer NO if you are finished configuring floating dynamic lines.

If you answer NO, the procedure asks if you want to configure any more asynchronous data links at this time:

```
* Do you want to configure any more asynch lines?    [NO]:
```

Answer YES to return to the static asynchronous lines dialog (see Section 6.6.3.1). If you answer NO, proceed to Section 6.6.4.

#### 6.6.3.3 Preparing the Terminal Lines for DECnet Use

The configuration procedure configures all the network entities to support asynchronous data links. However, it does not enable or disable the individual terminal devices themselves.

To switch a terminal line to a DECnet line or a DECnet line back to a terminal line, use DCL set commands such as the following:

- To switch a terminal line to a static asynchronous line:  

```
$ set terminal/protocol=ddcmp device-name
```
- To switch a terminal line to a floating dynamic asynchronous line:  

```
$ set terminal/protocol=ddcmp/switch=decnet device-name
```
- To switch a terminal line to an explicit dynamic asynchronous line:  

```
$ set terminal/protocol=ddcmp/switch=decnet/manual device-name
```
- To switch a DECnet line back to OpenVMS terminal driver use:  

```
$ set terminal/protocol=noddcmp device-name
```

### 6.6.4 Configuring Data Links and Routing Circuits

You now need to supply names for the data links and routing circuits you have on your system.

For HDLC and synchronous links, you also need to select which protocol should be used on the link (HDLC, DDCMP, or NONE).

- DDCMP (Digital Data Communications Message Protocol) provides synchronous point-to-point connections and asynchronous static or dynamic point-to-point connections.
- HDLC (High-Level Data Link protocol) conforms to ISO standards. HDLC provides synchronous point-to-point connections.
- NONE indicates that you do not want DECnet-Plus to configure this line directly. You may still configure this line for X.25 and then configure DECnet over X.25 for the line (see Section 6.6.5 for information about using DECnet over X.25 data links).

#### **BASIC**

The BASIC option automatically configures all available network devices. It uses the default naming conventions for all data links and routing circuits. It also uses built-in defaults for the protocol on all HDLC and synchronous links.

#### **ADVANCED**

The ADVANCED option prompts you for the simple name that you want to use for each data link and routing circuit. For HDLC and synchronous lines, the procedure precedes the link and routing circuit name questions with a question about which protocol should be used on the link (HDLC, DDCMP, or NONE):

```
* Data Link protocol for ZR-0-0 (SSCC)           [HDLC] :  
* Data Link name to use for ZR-0-0 (SSCC)?      [HDLC-0] :  
* Routing Circuit Name for Data Link 'HDLC-0'?  [HDLC-0] :
```

The “Data Link name” question can take on several slightly different forms depending on the device being configured.

#### 6.6.4.1 FDDI Large Packet Support

For each FDDI-type circuit on your system, you have the option of enabling FDDI large packet support. (A large packet is 4 KB in size, where an Ethernet packet is 1500 bytes in size.) FDDI large packet support allows you to fully utilize the bandwidth of FDDI. (A Phase V router on the LAN, preferably on the FDDI, is required before you can enable large packet support.)

If you choose not to enable FDDI large packet support on the circuit, the FDDI circuit uses the bandwidth of Carrier Sense, Multiple Access with Collision Detection (CSMA-CD) instead.

#### **BASIC**

The BASIC option automatically selects the CSMA-CD packet size instead of the FDDI large packet size.

## Using the BASIC and ADVANCED Configuration Options

### 6.6 Configuring Devices

#### ADVANCED

For each FDDI-type circuit on the system, the ADVANCED option displays the following message and prompt:

You have the option of enabling FDDI large packet support on this routing circuit. Note that a Phase V router on the LAN (preferably on the FDDI) is required in order to use FDDI large packet support.

\* Use large packets on Routing Circuit FDDI-0? [YES] :

If you want to enable FDDI large packet support, press Return. Otherwise, answer NO.

#### 6.6.4.2 Circuit Cost and Routing Priority

The following applies only if your DECnet-Plus system is a routing node.

For each data link and routing circuit pair entered, specify the circuit cost and router priority at level 1. If your node is a level 2 router, the procedure also asks you for the level 2 cost and router priority.

Cost indicates the cost of traffic on a particular circuit. Priority refers to the priority for becoming a designated router on a LAN at level 1 or level 2.

#### BASIC

The BASIC option assigns the level 1 and level 2 routing cost based on link type:

- Asynchronous data links are assigned a cost of  $(38400/\textit{line-speed}) + 48$ .
- Synchronous and HDLC data links are assigned a cost of 20.
- All other data links are assigned a cost of 8.

The level 1 and level 2 routing priorities are always set to 64.

#### ADVANCED

The ADVANCED option prompts you for the routing cost and priority information:

```
* Level 1 Cost for Routing Circuit 'CSMACD-0'? [8] :  
* Level 1 Router Priority for Routing Circuit 'CSMACD-0'? [64] :  
* Level 2 Cost for Routing Circuit 'CSMACD-0'? [8] :  
* Level 2 Router Priority for Routing Circuit 'CSMACD-0'? [64] :
```

Press Return to take the defaults or enter you own values.

#### 6.6.4.3 Enabling Phase IV Addressing on Routing Circuits

If you previously specified a Phase IV-compatible address for your node in order to communicate with other Phase IV nodes (as in Section 6.5.3), you must specify for each circuit whether you want to enable Phase IV addressing on that circuit. If the node has multiple connections to a LAN, enable Phase IV addressing on only one circuit for that LAN.

#### BASIC

The BASIC option enables Phase IV addressing on the first broadcast circuit that the procedure encounters. The device list is structured so that if both FDDI and CSMA-CD circuits are available, Phase IV addressing is allowed on the first FDDI circuit in preference to the first CSMA-CD circuit.

If you have multiple broadcast circuits and you are performing a Phase IV migration (that is, you elected to convert the Phase IV database (see Section 6.3), the procedure displays the following information about enabling additional broadcast circuits:



## Using the BASIC and ADVANCED Configuration Options

### 6.6 Configuring Devices

NET\$CONFIGURE has determined that you have multiple broadcast circuits. Your system has been configured to enable Phase IV addressing on only one of those circuits. When Phase IV addressing is enabled, the datalink MAC address is set according to Phase IV addressing rules (i.e. AA-00-04-00-nn-nn).

It is undesirable (and invalid) for more than one circuit using Phase IV addressing to be connected to the same LAN. However, if your circuits are on distinct and separate LANs, and the Phase IV style MAC address is desired on more circuits, you may edit the SYS\$MANAGER:NET\$ROUTING\_STARTUP.NCL script prior to starting your network. For example, you would change the following command:

```
SET NODE 0 ROUTING CIRCUIT SVA-1 ENABLE PHASEIV ADDRESS = FALSE
```

to this in order to enable Phase IV addressing on the circuit:

```
SET NODE 0 ROUTING CIRCUIT SVA-1 ENABLE PHASEIV ADDRESS = TRUE
```

#### ADVANCED

The ADVANCED option prompts you whether you want to enable Phase IV addressing on a circuit:

```
* Enable Phase-IV Addressing on Routing Circuit 'CSMACD-0'? [YES] :
```

Entering YES allows Phase IV messages to be transmitted on that circuit. Answering NO indicates that no Phase IV messages will be transmitted on that circuit.

#### 6.6.5 Configuring DECnet over X.25

If you have configured X.25 for OpenVMS on an I64 or OpenVMS Alpha system or the X.25 functionality provided by DECnet-Plus on an OpenVMS VAX system (formerly known as VAX P.S.I.), the configuration procedure now gives you the option of configuring DECnet-Plus to use any previously configured X.25 data links.

1. The procedure begins by displaying a message indicating that X.25 software has been installed.

For an OpenVMS I64 or OpenVMS Alpha system, the procedure displays the following information:

```
X.25 for OpenVMS software has been installed on this system. You have the option of configuring DECnet to run over X.25.
```

For an OpenVMS VAX system, the procedure displays the following information:

```
The VAX P.S.I. software has been installed on this system. You have the option of configuring DECnet over P.S.I. (i.e., configuring DECnet over X.25 or data link mapping).
```

2. Next, the procedure asks if you want to configure DECnet-Plus to use X.25:

```
* Do you want to configure DECnet over X.25? [NO] :
```

Answer YES if you want to configure DECnet over X.25. If you answer NO, proceed to Section 6.7.

3. Routing supports four types of X.25 circuits:

- A dynamically assigned routing circuit operates over a number of X.25 switched virtual circuits (SVCs), both incoming and outgoing.
- A static incoming routing circuit operates over a single incoming X.25 switched virtual circuit (SVC).

## Using the BASIC and ADVANCED Configuration Options

### 6.6 Configuring Devices

- A static outgoing routing circuit operates over a single outgoing X.25 switched virtual circuit (SVC).
- A permanent routing circuit uses a permanent virtual circuit (PVC) instead of an SVC.

The procedure asks you which type of X.25 routing circuit you want to configure:

Types of X.25 circuits:

- [1] - X.25 Dynamic Assigned (DA)
- [2] - X.25 Static Incoming (IN)
- [3] - X.25 Static Outgoing (OUT)
- [4] - X.25 Permanent (PVC)

\* Which type of X.25 circuit do you want to use? : 4

Enter the number for the type of circuit you want.

4. The procedure asks for a name to use for the routing circuit:

\* Routing Circuit Name to use? [X25-PVC-0] :

Specify the simple name you want to use for the routing circuit. The default circuit names are derived from the circuit type (X25-DA-x, X25-IN-x, X25-OUT-x, or X25-PVC-x). You can use the default or you can supply a name (for example, X25-STATICIN-0).

5. All X.25 routing circuits use an X.25 access template to make or accept a network connection.

- For a static outgoing (OUT) circuit, the X.25 access template must specify DTE class, destination DTE address, and call data. The X.25 access template can also specify other call characteristics to make the outbound network connection.
- For a static incoming (IN) routing circuit, the X.25 access template can specify call characteristics to accept the inbound network connection.
- For a dynamically assigned (DA) routing circuit, the X.25 access template must specify DTE class and call data. The X.25 access template can also specify other call characteristics to make the outbound or accept the inbound network connections.

Use the appropriate X.25 configuration program to configure X.25 access templates.

The procedure asks for a template name to use for the circuit:

\* Template name? [X25-PVC-0] :

Specify the simple name of an X.25 access template. A default name is provided or you may enter your own name (for example, X25-DA-1).

6. Static incoming and dynamically assigned X.25 circuits use an X.25 access filter to receive inbound network connections.

- For a static incoming circuit, the X.25 access filter must specify inbound DTE class, sending DTE address, call data value, and call data mask.
- For a dynamically assigned circuit, the X.25 access filter must specify inbound DTE class, call data value, and call data mask.

Use the appropriate X.25 configuration program to configure X.25 access filters.



## Using the BASIC and ADVANCED Configuration Options

### 6.6 Configuring Devices

If you chose to configure an X.25 dynamically assigned (DA) circuit or an X.25 static incoming (IN) circuit, the procedure asks for a filter name:

\* Filter name? [X25-DA-0] :

Specify the simple name of an X.25 access filter. You may accept the default or you may enter your own name (for example, X25-IN-0).

7. If you chose to configure an X.25 dynamic assigned (DA) circuit, the procedure asks if you want to configure any routing circuit reachable addresses:

\* Do you want to configure any reachable addresses? [NO] :

If you answer NO, the procedure omits the remaining questions discussed here. Proceed to Step 8.

If you want to configure any routing circuit reachable address entities, answer YES. The procedure displays a series of prompts to request a set of reachable addresses.

- a. The procedure prompts for the name you want to assign to this set of reachable addresses:

\* Reachable address name? :

Specify the simple name of the reachable address subentity that you want to create (for example, ACCOUNTS\_DEPT).

- b. The reachable address subentity name is used to select the remote DTE address to where a routing packet is sent. The selection is done by finding a reachable address subentity that has an address prefix matching the beginning of the remote NSAP in the routing packet.

The procedure asks for the reachable address prefix for this set of reachable addresses:

\* Reachable address prefix? :

Specify the address prefix for this reachable address entity. The address prefix is a string of characters that is the valid beginning of an NSAP (for example, 41:45436192:). The address prefix matches all NSAPs.

- c. You can configure a reachable address subentity with one or more DTE addresses. If more than one DTE address is configured, then only one is selected each time a packet is sent. All the remote DTE addresses must be accessible by the DTE class configured in the X25 Access template already configured for the associated dynamic assigned circuit.

The procedure asks for the reachable address data terminal equipment (DTE) list for this set of reachable addresses:

\* Reachable address dte list? :

Specify the list of remote DTE addresses for this reachable address entity. A DTE address consists of 1 to 15 decimal characters. The DTE addresses in the list should be separated by commas (for example, 2,3,4).

- d. The procedure then asks if you want to configure additional reachable addresses:

\* Any more reachable addresses you wish to configure? [NO] :

If you want to configure another reachable address subentity for this circuit, answer YES. The procedure returns you to the reachable address name prompt (Step 7a).

## Using the BASIC and ADVANCED Configuration Options

### 6.6 Configuring Devices

- When you have entered the circuit, template, and filter names and you have specified the appropriate reachable address information, the procedure asks if you want to configure any other X.25 routing circuits.

```
* Configure another X.25 routing circuit for DECnet?      [NO] :
```

Press Return if you do not want to configure any other X.25 routing circuits. Answer YES if you want to configure another X.25 routing circuit. The procedure returns you to Step 4. After you complete the configuration of all X.25 routing circuits, the configuration procedure continues with the transport section.

### 6.7 Configuring Transports

Next, the configuration procedure configures the NSP and OSI transports.

#### **BASIC**

The BASIC option configures the NSP and OSI transports using default values. See Section 6.7.1 for the default values for the NSP transport. See Section 6.7.2 for the default values for the OSI transport.

#### **ADVANCED**

The ADVANCED option begins the transport configuration by displaying the following message:

```
You have the option of configuring the NSP and OSI Transports.
Configure the NSP Transport if you want the system to communicate
with DECnet Phase IV nodes.  Configure the OSI Transport if you want
the system to communicate with DECnet-Plus nodes; if you want to run
DECnet or OSI applications over TCP/IP; or if you plan to install
OSI Applications such as OSAK, FTAM, or VT software.
```

---

#### **Warning**

---

If you do not configure one of the two transports, the procedure issues a warning and asks you to confirm your decision:

```
%NET$CONFIGURE-W-NOTTRANSPORTS, no transports selected
* Are you sure?                                     [NO] : y
```

If you answer YES, no transport configuration information is generated. The configuration procedure creates empty NCL startup script files for both transports. To create a usable configuration, you will have to run the configuration procedure again to create valid transport scripts.

---

#### 6.7.1 Specifying the Network Service Protocol (NSP) Transport Configuration

##### **BASIC**

The BASIC option configures the NSP transport using the default values discussed in this section. Proceed to Section 6.7.2.

##### **ADVANCED**

The ADVANCED option begins the NSP transport configuration with following question:

```
* Configure the NSP Transport?                       [YES] :
```

## Using the BASIC and ADVANCED Configuration Options

### 6.7 Configuring Transports

Answer YES if you want the system to communicate with DECnet Phase IV nodes. If you answer NO, the procedure still loads the NSP transport image. However, NSP transport is not configured or usable until you run the `net$configure` procedure and answer YES to the preceding question.

---

#### Note

---

If you answer NO to this question and you specified a valid Phase IV address for the node (that is, not 0.0), the procedure overrides your decision. Instead, it uses the default values to configure the NSP transport. The procedure displays the following message to indicate this action:

```
%NET$CONFIGURE-I-NSPCONFIG, NSP will be configured since a Phase
IV address is being used
```

---

The procedure then displays a series of prompts for three interrelated settings of the NSP transport configuration:

```
* Maximum number of logical links?           [200] :
* Maximum transmit and receive window?      [20]  :
* Maximum receive buffers?                   [4000]:
```

The first question determines the maximum number of active transport connections (logical links) allowed at any one time to the NSP transport. Press Return to select the default value or enter a number from 1 to 65535.

The second question determines the value of the transport's maximum window attribute. HP recommends setting a value of 20 for the maximum transmit and receive window option. Press Return to select the default value or enter a number from 1 to 65535.

The third question prompts for the number of receive buffers to preallocate. In a typical network environment, HP recommends setting a value for maximum receive buffers that is no more than the value you entered for the maximum window option multiplied by the value you specified for the maximum number of logical links.

---

#### Notes

---

Selecting values for the maximum transmit and receive window option or maximum receive buffers option other than those recommended by HP can significantly alter the behavior of your system and network and should only be done after a thorough analysis of your network traffic and application requirements.

Selecting a high value for maximum receive buffers may require considerable buffering capacity on your node; therefore, non-paged pool should be allocated accordingly. If your node does not have enough non-paged pool, you may want to set maximum receive buffers to a smaller value than the recommended value.

---

For additional information about these parameters, see the subsection about configuring the NSP transport in the "Managing Transport Services" section in the *HP DECnet-Plus for OpenVMS Network Management* manual.

## Using the BASIC and ADVANCED Configuration Options

### 6.7 Configuring Transports

#### 6.7.1.1 Flow Control Policy

The NSP transport configuration finishes with a question about NSP's flow control policy. Flow control is the mechanism that determines when to send normal and expedited data messages. During connection establishment, each end of the connection uses this setting to determine when to expect data when acting as the receiver. It is not required that both ends of a connection use the same flow control policy.

##### **BASIC**

The BASIC option configures NSP with segment flow control. Proceed to Section 6.7.2.

##### **ADVANCED**

The ADVANCED option prompts for the flow control policy:

```
* NSP flow control policy (SEGMENT, NO)?          [SEGMENT] :
```

Enter SEGMENT to choose segment flow control. Enter NO to disable flow control.

#### 6.7.2 Specifying the OSI Transport Configuration

##### **BASIC**

The BASIC option configures the OSI transport using the default values discussed in this section (including enabling OSI applications over TCP/IP and DECnet over TCP/IP). Proceed to Section 6.7.3.

##### **ADVANCED**

The ADVANCED option begins the OSI transport configuration with following question:

```
* Configure the OSI Transport or run over TCP/IP?  [YES] :
```

Answer YES if you want the system to communicate with DECnet-Plus nodes, OSI nodes of other vendors, or if you plan to install the OSAK, FTAM, or VT software. Also answer YES if you want to use DECnet over TCP/IP or OSI applications over TCP/IP. If you answer NO, the procedure still loads the OSI transport images. However, OSI transport is not configured or usable until you run the `net$configure` procedure and answer YES to the preceding question.

The procedure then displays a series of prompts for three interrelated settings of the OSI transport configuration:

```
* Maximum number of logical links?                [200] :  
* Maximum transmit and receive window?           [20]  :  
* Maximum receive buffers?                        [4000] :
```

The first question determines the maximum number of active transport connections (logical links) allowed at any one time to the OSI transport. Press Return to select the default value or enter a number from 1 to 65535.

The second question determines the value of the transport's maximum window attribute. HP recommends setting a value of 20 for the maximum transmit and receive window option. Press Return to select the default value or enter a number from 1 to 65535.

The third question prompts for the number of receive buffers to preallocate. In a typical network environment, HP recommends setting a value for maximum receive buffers that is no more than the value you entered for the maximum window option multiplied by the value you specified for the maximum number of logical links.

## Using the BASIC and ADVANCED Configuration Options

### 6.7 Configuring Transports

---

#### Notes

---

Selecting values for the maximum transmit and receive window option or maximum receive buffers option other than those recommended by HP can significantly alter the behavior of your system and network and should only be done after a thorough analysis of your network traffic and application requirements.

Selecting a high value for maximum receive buffers may require considerable buffering capacity on your node; therefore, non-paged pool should be allocated accordingly. If your node does not have enough non-paged pool, you may want to set maximum receive buffers to a smaller value than the recommended value.

---

For additional information about these parameters, see the subsection about configuring the OSI transport in the “Managing Transport Services” section in the *HP DECnet-Plus for OpenVMS Network Management* manual.

#### 6.7.2.1 Enabling OSI Applications over TCP/IP and DECnet over TCP/IP

If you configure the OSI transport, you have the option of allowing OSI applications and DECnet to use the services provided by HP TCP/IP Services for OpenVMS (or any other vendor’s TCP/IP product that supports the PATHWORKS Internet Protocol (PWIP) interface) to run OSI or DECnet applications over a TCP/IP network.

Enabling OSI applications over TCP/IP includes port 102 in the set of OSI transport RFC 1006 listener ports and builds the appropriate RFC 1006 template. However, to fully support OSI applications over TCP/IP you must also ensure the following:

- HP TCP/IP Services for OpenVMS (or any other vendor’s TCP/IP product that supports the PWIP interface) is configured and running on both the local and remote system.
- The remote node also has OSI applications over TCP/IP enabled (that is, it is listening on port 102).

Enabling DECnet over TCP/IP includes port 399 in the set of OSI transport RFC 1006 listener ports and builds the appropriate RFC 1859 template (considered an RFC 1006-type template). However, to fully support DECnet over TCP/IP you must also ensure the following:

- HP TCP/IP Services for OpenVMS (or any other vendor’s TCP/IP product that supports the PWIP interface) is configured and running on both the local and remote system.
- The remote node also has DECnet over TCP/IP enabled (that is, it is listening on port 399).

#### **BASIC**

The BASIC option enables OSI applications over TCP/IP and DECnet over TCP/IP.

## Using the BASIC and ADVANCED Configuration Options

### 6.7 Configuring Transports

#### ADVANCED

The ADVANCED option begins by asking whether you want to enable OSI applications over TCP/IP:

```
* Run OSI Applications over TCP/IP? [YES] :
```

Answer YES to this question if you want to run OSI applications over TCP/IP.

Next, the procedure asks if you want to enable DECnet over TCP/IP:

```
* Run DECnet over TCP/IP? [YES] :
```

Answering YES to this question enables DECnet-Plus to run over a TCP/IP network to any system that has enabled this same feature.

```
* Interface(s) for DECnet/OSI over TCP/IP ? [ALL] :
```

Answering ALL to this question enables DECnet-Plus to listen on ALL IP-configured interfaces. If you do not wish to listen on all interfaces, then you can specify the static IP address of the interface(s) on which DECnet-Plus should listen for inbound DECnet/OSI connections over TCP/IP.

#### BASIC and ADVANCED

If OSI applications over TCP/IP or DECnet over TCP/IP are configured, the `net$configure` procedure checks for the availability of the DOMAIN name service and the PWIP driver.

If the DOMAIN name service is not available, the procedure displays the following message:

```
NET$CONFIGURE-W-NODOMAIN, DECnet over IP requires DOMAIN in the directory
services list
```

If the PWIP driver is not available, the procedure displays the following message:

```
NET$CONFIGURE-W-NOPWIP, DECnet over IP requires the PWIP driver to be enabled
```

Both of these messages are warnings; the configuration continues. As long as the functionality is not required the configuration need not be changed. If you need the DOMAIN name service, run `net$configure` again and include DOMAIN in the directory service list and enter a DOMAIN node name.

### 6.7.3 Specifying Transport Congestion Avoidance

One feature of both transports is the ability to use the Congestion Experienced field in the Connectionless-mode Network Service (CLNS) routing header, and to implement a Congestion Avoidance scheme in heavily congested networks. The CLNS Congestion Experienced field is used by routers that support this feature (such as DECNIS) to give an early indication of congestion. When the transport receives data that passed through a network path where the Congestion Experienced bit is set, the transport reduces the transmit rate of the sending end system to help alleviate network congestion.

This feature works well in networks where all protocols support Congestion Avoidance mechanisms. However, it has been noted that in some heavily congested multi-protocol networks, this feature can negatively impact the performance of DECnet compared to other protocols.

HP recognizes that most of its customers have multi-protocol networks. In this environment, not all network protocols have Congestion Avoidance mechanisms. Therefore, the default for this option is to disable Congestion Avoidance.



## Using the BASIC and ADVANCED Configuration Options

### 6.7 Configuring Transports

If you operate in an environment where you can take advantage of Congestion Avoidance mechanisms, HP recommends that you enable the feature.

#### **BASIC**

The BASIC option configures each transport with congestion avoidance disabled.

#### **ADVANCED**

The ADVANCED option asks the following question about your network environment:

\* Is this system operating in a multi-protocol network? [YES] :

If you take the default answer of YES, then both transport's Congestion Avoidance characteristics are set to FALSE and this option is disabled. Answer NO to this question to set the characteristics to TRUE and enable the option.

#### 6.7.4 Configuring Slow-Speed NSP Transport Connections

NSP connections over slow-speed point-to-point lines require adjustments to NSP's delay factor and maximum window settings. The configuration utility asks the following question if you have configured point-to-point devices that have the potential to operate at very slow line speeds:

\* Are the point-to-point lines utilizing line speeds less than 9600 BPS? [NO] :

Answer YES if you have slow-speed point-to-point device. Otherwise, press Return to accept the default answer.

#### 6.7.5 Specifying the OSI Loopback Test Application Account

If the OSI transport is configured, a test program (`sys$test:osit$ivp`) is installed. You can use this program to verify OSI transport operation. For more information about the OSI test program, see the subsection about testing the OSI transport in the "Managing Transport Services" section in the *HP DECnet-Plus for OpenVMS Network Management* manual.

#### **BASIC**

The BASIC option selects the user name SYSTEST for the test account.

#### **ADVANCED**

The ADVANCED option asks for the user name to use when running the OSI test program:

\* Username for OSI loopback test application to use? [SYSTEST] :

Press Return to accept the default user name for the application loopback test account or enter a user name.

#### 6.7.6 Configuring OSI Templates

If you configured the OSI transport, `net$configure` automatically creates the default OSI templates required by the OSAK and FTAM installation verification procedures (IVPs). The procedure displays a message stating that these default OSI templates have been created:

```
%NET$CONFIGURE-I-CREDEFOSITEMPLATE, created default OSI templates
```

The default templates created are `osit$loop_cls`, `osit$loop_cons`, `osit$rfdc1006`, and, if DECnet over TCP/IP was chosen, `osit$rfdc1006plus`.

In addition, a template with the name DEFAULT is created when the OSI transport entity is enabled. This template is used when no template is specified.

## Using the BASIC and ADVANCED Configuration Options

### 6.7 Configuring Transports

#### BASIC

The BASIC option does not provide the opportunity to create additional OSI templates. You will not be able to use OSI applications to make connections to other OSI systems unless you use the ADVANCED option to create additional OSI templates. You can do this at a later time. Proceed to Section 6.8.

#### ADVANCED

The ADVANCED option provides the opportunity to create additional OSI templates. The dialog begins by asking if you want to create additional templates:

```
* Do you want to create additional OSI templates?      [NO] : yes
```

If you answer YES, the procedure uses the prompts discussed in this section to obtain the information required to configure the OSI templates. If you answer NO, you can create additional templates at a later time. Proceed to Section 6.8.

#### 6.7.6.1 Common Template Parameters

The template questions begin with the parameters common to all templates for all transport service types:

1. The procedure asks for the type of template you want to create:

- Connectionless-mode Network Service (CLNS)

There are two forms of CLNS: Internet/ES-IS and Null Internet. Both forms support only one transport class: Class 4.

- CLNS with Internet/ES-IS

The communicating end systems may be on the same subnetwork or on different subnetworks. This network service is provided by the implementation of the ES-IS (end system to intermediate system) Internet routing protocols, which route packets from the end system to an intermediate system on the same subnetwork. The intermediate system ensures that packets reach their final destination. Two end systems that implement ES-IS on the same subnetwork may communicate without an intervening intermediate system.

- CLNS with Null Internet

The communicating end systems must be on the same 802.3 local area network. This network service is provided by the inactive subset of the Internet protocol. No intermediate system is involved in the network connection.

- Connection Oriented Network Service (CONS)

In DECnet-Plus, CONS is supported by X.25 connections. CONS supports all transport classes (class 0, 2, and 4). The underlying X.25 network connection can be any of the following:

- A connection between two systems attached to an X.25 Packet Switching Data Network (PSDN), either directly or via a connector system.
- A point-to-point connection between two end systems using the LAPB protocol as the data link protocol.
- A direct connection between two end systems attached to the same IEEE 802.3 local area network, using the LLC2 protocol.
- A connection between two systems using the X.25 over TCP/IP (XOT) protocol as described in RFC 1613.



## Using the BASIC and ADVANCED Configuration Options

### 6.7 Configuring Transports

- RFC 1006 Network Service (RFC 1006)

Indicates that the OSI transport should use the TCP/IP protocol stack. This service supports transport classes 0 and 4. When using DECnet applications over RFC 1006 connections, the OSI transport template `osit$rfc1006` is used for inbound connections; the default template is used for outbound connections.

Enter the template type you want to create:

\* Type of network service (CLNS/CONS/RFC1006)? [CLNS] :

If you want to use Connectionless-mode Network Service (CLNS), press Return. Otherwise, enter the network service for which you want to define the template.

2. Depending on which network service you select, the procedure displays one of the following prompts:

\* Name of the OSI template? [OSIT\$CLNS\_Default0] :

\* Name of the OSI template? [OSIT\$CONS\_Default0] :

\* Name of the OSI template? [OSIT\$RFC1006\_Default0] :

Enter the name you want to use for the OSI template (for example, `OSI_TEMPLATE_1`) or press Return to accept the default OSI template name.

3. Next, the procedure asks if the template will be used exclusively for inbound packets. Templates for inbound connections provide OSI transport characteristics required for inbound transport connections. If no other template can be found with the inbound characteristic set, OSI transport uses the template with the name `DEFAULT`. For more information about how an inbound template is selected, see the description of the inbound characteristic of the `osi` transport template entity in the *HP DECnet-Plus for OpenVMS Network Control Language Reference* manual.

Indicate if this template will be used exclusively for inbound connections:

\* Will this template be used for inbound packets? [YES] :

If you want this template to be used for inbound connections, enter YES. If you want this template to be used for outbound connections, enter NO.

4. DECnet-Plus supports three transport classes: 0, 2, and 4. The following list provides a short summary of the services provided by each transport class:
  - Class 0 — The most basic transport service. This service does not support flow control, multiplexing, or error detection and recovery.
  - Class 2 — Supports class 0 functions plus multiplexing and flow control. The OSI transport always uses the flow control capabilities.
  - Class 4 — Supports class 2 functions plus error detection and recovery.

If you selected CONS as the network service type, the default is 0, 2, 4. If you selected CLNS, the default is 4. If you selected RFC1006, the default is 0, 2. Enter the numbers of the transport protocol classes you want to allow for connections that use this template:

\* Transport Classes to support? [4] :

For more information about transport protocol classes, refer to the *HP DECnet-Plus for OpenVMS Network Management* manual.

## Using the BASIC and ADVANCED Configuration Options

### 6.7 Configuring Transports

- The following two questions are common to all templates. However, the order in which they appear varies depending on the network service type.

---

#### Note

---

For CLNS and RFC 1006 template definitions, enter the information discussed in this step, proceed to the appropriate service-specific subsection, and then return to Step 6 in this section.

For CONS template definitions, proceed to the CONS-specific subsection (Section 6.7.6.3) and then return to this step after entering the CONS-specific information.

---

The configuration procedure asks if you want to allow expedited data on transport connections using this template:

\* Allow use of expedited data? [YES] :

If you want to support the use of expedited data, answer YES.

The configuration procedure asks if you want to allow checksums on transport connections using this template:

\* Allow use of Checksums? [YES] :

If you want to use the error correction feature, answer YES.

- All template definitions end with a question asking if you want to create additional templates:

\* Do you want to create additional OSI templates? [NO] :

This prompt allows you to create additional customized OSI templates. If you answer YES to this prompt, the template questions are repeated (starting with the "Name of the OSI template?" prompt discussed in Step 2). If you answer NO, proceed to Section 6.8.

#### 6.7.6.2 CLNS Network Service Template Parameters

A CLNS OSI transport template can specify the use of Internet/ES-IS routing protocols or Null Internet routing protocol. The Null Internet protocol only operates over LAN routing circuits (CSMA-CD and FDDI data links).

A CLNS OSI transport template for use with Internet/ES-IS routing protocols can use any routing circuits configured; the Routing module determines the most suitable circuit to use. A CLNS OSI transport template for use with Null Internet routing protocol can only use one routing circuit; routing circuit selection is based on its inactive area address.

Specify the CLNS routing protocol supported by this template:

\* Use full CLNP or Null Internet? [Full CLNP] :

Press Return to accept the default of full clnp or enter null internet.

---

#### Warning

---

If you specify the Null Internet option and no LAN circuits are available, the configuration procedure terminates with the following message:

```
%NET$CONFIGURE-E-ERRINRTGCIRC, error in accessing a default routing
circuit name
```

---

## Using the BASIC and ADVANCED Configuration Options

### 6.7 Configuring Transports

If you answer Null Internet, the procedure asks two additional questions. The first question asks for the routing circuit you want to use for this CLNS Null Internet template:

\* Which routing circuit is this Null Internet template for? [CSMACD-0] :

---

#### Warning

---

If you specify either a nonexistent routing circuit or a non-LAN routing circuit, the configuration procedure terminates with the following message:

```
%NET$CONFIGURE-E-RTGCIRCNOTFND, routing circuit name circuit-name
not found in the routing circuit list
```

---

A CLNS OSI transport template that specifies the Null Internet routing protocol selects the routing circuit based on the inactive area address of the routing circuit.

If this templates supports Null Internet routing, you must configure an inactive area address for the circuit. The inactive area address for the circuit must be different from any area addresses used by DECnet-Plus routers on the same LAN. If you plan to configure more than one LAN routing circuit on this system, and you need Null Internet on each circuit, then each circuit should have a different inactive area address.

The CLNS inactive area must be the same as the inactive area set in routing for Null Internet to be used.

Specify the CLNS inactive area address to use for this template:

\* Which CLNS Inactive Area to use? [49::FF-00] :

#### 6.7.6.3 CONS Network Service Template Parameters

For CONS transport connections, you must specify the name of the X.25 Access template that transport should use when making outgoing calls using this transport template.

Enter the name of the X.25 Access template to use for outgoing calls:

\* CONS template name? [OSI Transport] :

If the CONS template is used for inbound packets, you must specify the name of the X.25 Access filter that transport should use when receiving incoming calls using this transport template.

Enter the name of the X.25 Access filter to use for incoming calls:

\* CONS filter name? [OSI Transport] :

#### 6.7.6.4 RFC 1006 Network Service Template Parameters

OSI applications over TCP/IP (RFC 1006) and DECnet over TCP/IP (RFC 1859) connections use RFC 1006 templates. For more information on configuring OSI applications over TCP/IP and DECnet-Plus over TCP/IP, refer to Section 6.7.2.1 and the “Managing Transport Services” section in the *HP DECnet-Plus for OpenVMS Network Management* manual.

For RFC 1006 templates, you must define the local TCP/IP port number to use for outgoing transport connections using this template.

## Using the BASIC and ADVANCED Configuration Options

### 6.7 Configuring Transports

Enter the port number to use for outgoing RFC 1006-type connections:

\* Local RFC1006 port number? [102] :

For OSI applications over TCP/IP, use 102 as the port number. For DECnet over TCP/IP connections, use 399 as the port number.

If the RFC 1006 template is used for inbound packets, you must define the local TCP/IP port number to be used as the listener port for incoming transport connections using this template. If the listener port number does not match the outgoing port number, this template will not be used for incoming connections.

Enter the port number to use for incoming RFC 1006-type connections:

\* RFC1006 listener port number? [102] :

For OSI applications over TCP/IP, use 102 as the port number. For DECnet over TCP/IP connections, use 399 as the port number.

### 6.8 Configuring Time Zone Differential Factors

The UTC (Coordinated Universal Time) is calculated automatically by using the OpenVMS UTC. No messages are displayed.

### 6.9 Configuring the Event Dispatcher

#### BASIC

The procedure displays a message stating that it is providing the default Event Dispatcher configuration:

```
%NET$CONFIGURE-I-EVDDEFAULT, providing default Event Dispatcher configuration
```

Proceed to Section 6.10.

#### ADVANCED

If you are configuring the Event Dispatcher on a cluster member, the procedure asks if you want the resultant event NCL script file created in the cluster common directory:

```
There is no EVENT startup script present on your system.
Would you like this script to be made common to all systems in
this cluster, or private to this system? If you answer YES to
this question, the script will be made common.
```

\* Create a cluster common EVENT startup script? [YES] :

Answer YES to create an event NCL script file common to all cluster members. Answer NO to create an event NCL script file unique to the cluster member on which you are running net\$configure.

The procedure begins the Event Dispatcher configuration by asking if you want to customize the event dispatcher configuration:

\* Do you want to customize the Event Dispatcher? [NO] :

If you answer YES, proceed to Section 6.9.1. If you answer NO, the procedure displays a message stating that it is providing the default Event Dispatcher configuration:

```
%NET$CONFIGURE-I-EVDDEFAULT, providing default Event Dispatcher configuration
```

## Using the BASIC and ADVANCED Configuration Options

### 6.9 Configuring the Event Dispatcher

You have the option of blocking the display of events targeted for this system's console. The procedure asks if you want to display events on the console:

```
* Display events logged to the console of this machine? [YES] :
```

Answer YES if you want to see the events targeted for the console on this system. Answer NO if you want to block the display of events on your system's console.

Proceed to Section 6.10.

#### 6.9.1 Configuring Event Sinks

The procedure begins the customization of the event dispatcher by asking if you want to configure any event sinks. Event sinks manage incoming event connections and maintain a set of filters (global, specific, and catch-all) that are applied to all data streams assigned to the sink.

Indicate if you want to configure a custom sink:

```
* Configure a Sink? [YES] :
```

If you want to create a customized sink, answer YES (for example, if you want to change where to send the output: a terminal, a printer, or a file). If you do not want to configure a customized sink, answer NO and proceed to Section 6.9.2.

1. If you indicate that you want to create a custom sink, the procedure asks you for the sink's name:

```
* Sink name? :
```

Specify the name of the sink you want to create.

2. Next, specify the maximum buffer size (in octets) that the sink can use to process events:

```
* Maximum buffer size? :
```

Specify an integer value.

3. You have the option of associating a DECdns full name with the sink being created. To allow outbound streams to connect to this sink, you must specify either a DECdns object name or an end-user name. If you specify a DECdns object name it must match the sink object you supply when you create any outbound streams using this sink.

Next, the procedure asks you for the sink's object name:

```
* Object name? :
```

If you will be using an object name when defining outbound streams associated with this sink, specify the sink's object name:

4. You have the option of associating a session control end-user specification with the sink being created. This is equivalent to specifying the addresses characteristic of a session control application. To allow outbound streams to connect to this sink, you must specify either a DECdns object name or an end-user specification. If you specify an end-user specification it must match the sink end-user specification you supply when you create any outbound streams using this sink.

If desired, specify the sink's end-user specification:

```
* End user specification? :
```

Enter an end-user specification in the form `number=number, name=name, or uic=[uic-identifier]username`.

## Using the BASIC and ADVANCED Configuration Options

### 6.9 Configuring the Event Dispatcher

5. If no other filter actions match an event, or if all other filter actions for an event are set to ignore, the actions specified for the catch-all filter are used.

Specify the action that the catch-all filter should use:

```
* Catch all filter action? :
```

The choices are:

- BLOCK — Discard the event.
- PASS — Report the event.

6. You have the option of entering an informational string to describe the sink:

```
* Description? :
```

Enter informational string.

7. You can specify that an entity's unique identifier be displayed with each event.

```
* Display UIDs? :
```

Answering YES displays the entity's unique identifier.

8. You can specify how the application is to accept the events received by the sink. The choices are:

- CONSOLE — Events go to the operator's console (OPCOM).
- DEVICE — Events go to a device.
- FILE — Events go to a file.

Enter your choice for the sink's client type:

```
* Client type? :
```

If you answer FILE to the "Client type?" prompt, the procedure asks you for the file name to use:

```
* File name? :
```

Enter the file specification you want to use to capture events (for example, sys\$manager:evd\_events.log).

If you answer DEVICE to the "Client type?" prompt, the procedure asks you for the device to use:

```
* Device name? :
```

Enter the device you want to use to capture events (for example, TWA1:).

The sink's configuration is now complete.

Next, the procedure asks if you want to create another sink:

```
* Configure another Sink? [NO] :
```

If you do not want to configure another sink, press Return to proceed to Section 6.9.2. If want to configure another sink, enter YES and press Return. The procedure returns you to the "Sink name?" prompt discussed in Step 1 and repeats the prompts required to configure another sink.

## 6.9.2 Outbound Streams

The procedure continues the customization of the event dispatcher by asking if you want to configure any outbound streams. Outbound streams represent an outgoing connection to an event sink. An outbound stream manages the connection to the sink and it filters, processes, and transmits events to the sink.

Indicate if you want to configure a custom outbound stream:

\* Configure an Outbound Stream? [YES] :

If you want to create a customized outbound stream, answer YES (for example, if you want to change where to send the event data stream). If you do not want to create a customized outbound stream, answer NO and proceed to Section 6.9.3.

1. If you indicate that you want to create a custom outbound stream, the procedure asks you for the outbound stream's name:

\* Outbound Stream name? :

Specify the name of the outbound stream you want to create.

2. Next, specify the maximum buffer size (in octets) that the outbound stream can use to process events:

\* Maximum buffer size? :

Specify an integer value.

3. The connect retry timer operates continuously from the time the outbound stream is enabled until the stream is disabled or until the connect timer enabled characteristic is set to FALSE. If the outbound stream is already connected to the sink when the timer expires, no connection is attempted at that time. The timer resets and connection attempts continue whenever the timer expires.

Specify the number of seconds to wait between connection attempts:

\* Connect retry timer? :

Specify an integer value.

4. If you intend to have the outbound stream use the retry timer value you provided in the previous question, you must enable the connect retry timer.

Specify if you want to enable the connect retry timer:

\* Connect timer enabled? :

Answer YES to have the connect retry timer operational. Answer NO to disable it.

5. The disconnect timer is the number of seconds to wait before shutting down an idle connection. A value of 0 indicates that the no disconnect timer is used and that connections are never disconnected automatically.

Specify the number of seconds to wait before shutting down an idle connection:

\* Disconnect timer? :

Specify an integer value.



## Using the BASIC and ADVANCED Configuration Options

### 6.9 Configuring the Event Dispatcher

6. The catch-all filter specifies the action to take if neither the specific filter setting nor the global filter setting matches an event or if a filter setting that matches an event is set to Ignore. The choices are:

- BLOCK — Discard the event.
- PASS — Report the event.

Enter the action to take for the catch-all filter:

\* Catch all filter action? :

7. You have the option of specifying the DECdns full name of the event sink. For an outbound stream to connect with an event sink, you must specify the sink's DECdns object name, the sink's node name/end-user pair, or the sink's address tower. If you specify a DECdns object name, it must match the object name you used when you created the event sink.

\* Sink object? :

If desired, enter the full DECdns object name of the sink associated with this outbound stream.

8. You have the option of specifying a sink node/sink end-user pair to identify the event sink. For an outbound stream to connect with an event sink, you must specify the sink's DECdns object name, the sink's node name/end-user pair, or the sink's address tower.

If you are specifying a sink by its node name/end-user pair, enter the full node name (namespace name included) of the sink associated with outbound stream:

\* Sink node? :

If you are specifying a sink by its node name/end-user pair, enter the Session Control end-user specification of the sink associated with this outbound stream (for example, number=82):

\* Sink end user? :

Enter an end-user specification in the form number=number, name=name or uic=[uic-identifier]username.

9. You have the option of specifying a sink address tower to identify the event sink. For an outbound stream to connect with an event sink, you must specify the sink's DECdns object name, the sink's node name/end-user pair, or the sink's address tower.

If you are specifying a sink by its address tower, enter the sink address tower of the sink associated with this outbound stream:

\* Sink address? :

The outbound stream's configuration is now complete.

Next, the procedure asks if you want to create another outbound stream:

\* Configure another Outbound Stream? [NO] :

If you do not want to configure another outbound stream, press Return to proceed to the Phase IV Relay section. If you want to configure another outbound stream, enter YES and press Return. The procedure returns you to the "Outbound Stream name?" prompt discussed in Step 1 and repeats the prompts required to configure another outbound stream.



## Using the BASIC and ADVANCED Configuration Options

### 6.9 Configuring the Event Dispatcher

#### 6.9.3 Phase IV Relay

A Phase IV relay allows you to record and process events that occur on an OpenVMS system running DECnet Phase IV software. The Phase IV Relay entity receives the events from a Phase IV node, encapsulates them, and posts them in the DECnet-Plus system Event Dispatcher.

Indicate if you want to include a Phase IV relay:

\* Configure Phase IV Relay? [YES] :

Answer YES to create the Phase IV Relay.

#### 6.10 Configuring the Application Database

This configuration section sets up the default accounts used by the following DECnet-Plus applications:

- File access listener (FAL) — provides authorized access to the file system of a DECnet node on behalf of processes executing on any DECnet node in the network. FAL communicates with the initiating node by means of the Data Access Protocol (DAP).
- CMIP Management Listener (CML) — is the DECnet-Plus management module that implements the Common Management Information Protocol (CMIP). CML enables the system to respond to remote management commands.
- MAIL — allows users to send and receive messages.
- VMScluster Performance Monitor (VPM) — supports the OpenVMS Monitor utility command `monitor cluster`.
- MIRROR — supports particular forms of loopback testing.
- PHONE — allows users on the same or different OpenVMS systems to communicate interactively.

##### **BASIC**

The BASIC option includes the DECnet-Plus default applications in the application database. The procedure creates default user accounts for the CML, MAIL, VPM, MIRROR, and PHONE applications (no account is created for FAL). The procedure displays the following messages as it creates the default accounts:

```
%NET$CONFIGURE-I-MAKEACCOUNT, this procedure creates user account CML$SERVER
%NET$CONFIGURE-I-MAKEACCOUNT, this procedure creates user account MAIL$SERVER
%NET$CONFIGURE-I-MAKEACCOUNT, this procedure creates user account VPM$SERVER
%NET$CONFIGURE-I-MAKEACCOUNT, this procedure creates user account MIRRO$SERVER
%NET$CONFIGURE-I-MAKEACCOUNT, this procedure creates user account PHONE$SERVER
```

---

##### **Note**

---

The procedure also assigns certain process privileges and rights identifiers to each account. If you have the audit server enabled during configuration, it displays several OPCOM messages related to this process.

---

Proceed to Section 6.11.

## Using the BASIC and ADVANCED Configuration Options

### 6.10 Configuring the Application Database

#### ADVANCED

The ADVANCED option allows you to control the default accounts for all the DECnet applications.

If you are configuring a cluster member, the procedure asks if you want the resultant applications NCL script file created in the cluster common directory:

```
There is no APPLICATION startup script present on your system.
Would you like this script to be made common to all systems in
this cluster, or private to this system? If you answer YES to
this question, the script will be made common.
```

```
* Create a cluster common APPLICATION startup script?      [YES] :
```

Answer YES to create an applications NCL script file common to all cluster members. Answer NO to create an applications NCL script file unique to the cluster member on which you are running net\$configure.

1. The procedure begins the applications configuration by asking you for the default account to use for FAL:

```
* Do you want to use a default account for the 'FAL' application? [NO] :
```

If you want an account set up and used for FAL, answer YES.

If you answer YES, the procedure displays the following message:

```
%NET$CONFIGURE-I-MAKEACCOUNT, this procedure creates user account FAL$SERVER
```

2. The procedure then asks if you want to set up a default account for CML:

```
* Do you want to use a default account for the 'CML' application? [YES] :
```

If you want an account set up and used for CML, answer YES.

If you answer YES, the procedure displays the following message:

```
%NET$CONFIGURE-I-MAKEACCOUNT, this procedure creates user account CML$SERVER
```

3. Next, the procedure asks if you want to set up a default account for MAIL:

```
* Do you want to use a default account for the 'MAIL' application? [YES] :
```

If you want an account set up and used for MAIL, answer YES.

If you answer YES, the procedure displays the following message:

```
%NET$CONFIGURE-I-MAKEACCOUNT, this procedure creates user account MAIL$SERVER
```

4. The procedure continues by asking if you want to set up a default account for VPM:

```
* Do you want to use a default account for the 'VPM' application? [YES] :
```

Answer YES if the system is part of an OpenVMS Cluster. Answer NO if the system is to be a non-cluster end system.

If you answer YES, the procedure displays the following message:

```
%NET$CONFIGURE-I-MAKEACCOUNT, this procedure creates user account VPM$SERVER
```

5. Next, the procedure asks if you want to set up a default account for the MIRROR application:

```
* Do you want to use a default account for the 'MIRROR' application? [YES] :
```

If you want to use MIRROR, answer YES.

## Using the BASIC and ADVANCED Configuration Options

### 6.10 Configuring the Application Database

If you answer YES, the procedure displays the following message:

```
%NET$CONFIGURE-I-MAKEACCOUNT, this procedure creates user account MIRRO$SERVER
```

#### 6. Finally, the procedure asks if you want set up a default account for PHONE:

```
* Do you want to use a default account for the 'PHONE' application? [YES] :
```

If you intend to use the OpenVMS PHONE utility, answer YES.

If you answer YES, the procedure displays the following message:

```
%NET$CONFIGURE-I-MAKEACCOUNT, this procedure creates user account PHONE$SERVER
```

---

#### Note

---

The procedure also assigns certain process privileges and rights identifiers to each account. If you have the audit server enabled during configuration, it displays several OPCOM messages related to this process.

---

## 6.11 Configuring the MOP Client

By default, MOP is not started by net\$startup. To enable this system to service MOP requests, the NET\$STARTUP\_MOP logical name must be defined to signal net\$startup to load the MOP software. This logical name is normally defined in sys\$startup:net\$logicals.com. Based on your input, the procedure modifies net\$logicals.com by adding or removing the definition of the NET\$STARTUP\_MOP logical name. This section of the procedure also generates a short NCL startup script file containing the NCL commands to create and enable the MOP entity.

The procedure asks if you want MOP loaded:

```
* Load MOP on this system? [YES] :
```

Answer YES to enable MOP service on this system. Answer NO to disable MOP service on this system. Note that your answer will have no effect if the NET\$STARTUP\_MOP logical name is defined elsewhere.

If you are configuring a cluster member, the procedure asks if you want the resultant MOP NCL startup script file created in the cluster's common directory:

```
There is no MOP_CLIENT startup script present on your system.
Would you like this script to be made common to all systems in
this cluster, or private to this system? If you answer YES to
this question, the script will be made common.
```

```
* Create a cluster common MOP_CLIENT startup script? [YES] :
```

Answer YES to create a MOP NCL startup script file common to all cluster members. Answer NO to create a MOP NCL startup script file unique to the cluster member on which you are running net\$configure.

## Using the BASIC and ADVANCED Configuration Options

### 6.12 Configuring the Cluster Alias

#### 6.12 Configuring the Cluster Alias

All of the nodes or a subset of the nodes that are members of an OpenVMS Cluster can be represented in the network as a single node by establishing an alias for the cluster members. The alias allows users access to common resources on the OpenVMS Cluster members without knowing which nodes are members of the alias. Refer to the *HP DECnet-Plus for OpenVMS Network Management* manual for more information about setting up an OpenVMS Cluster alias.

If the node is an OpenVMS Cluster member or if net\$configure finds an alias NCL startup script file on the system, the procedure prompts you to enter the full name of the cluster alias:

```
* Full name of Cluster Alias :
```

If you do not want the node to participate in a cluster alias, press Return. Proceed to Section 6.13.

If you want the node to participate in a cluster alias, specify the full name that uniquely identifies the cluster alias node (for example, ACME: .WABBIT.HELP).

---

#### Note

---

If you create a cluster alias, you must manually enter the alias information into the appropriate namespace. See the “Using an OpenVMS Cluster Alias” section in the *HP DECnet-Plus for OpenVMS Network Management* manual for more information.

---

If you entered a cluster alias, you must associate a unique address with the cluster alias. Do not use your node’s address for the cluster alias. If you are unsure which address to enter, consult your network manager. Use either a DECnet Phase IV node address or Ethernet physical address for the alias.

The Phase IV node address has the format `area-number.node-number` (for example, 12.139).

The Ethernet physical address has the format `AA-00-04-00-xx-xx`, where `xx-xx` is calculated from the Phase IV node address. To determine the Ethernet physical address, proceed as follows:

1. Convert the Phase IV node address to its decimal equivalent as follows:  
 $(\text{area-number} * 1024) + \text{node-number} = \text{decimal equivalent}$   
(For example,  $(12 * 1024) + 139 = 12427$  decimal)
2. Convert the decimal node address to its hexadecimal equivalent and reverse the order of the bytes to form the hexadecimal node address. For example:  
 $(12427 \text{ decimal} = 308\text{B hex, reversed} = 8\text{B30 hexnodeaddress})$
3. Incorporate the hexadecimal node address in the following format:

```
AA-00-04-00-hexnodeaddress  
(For example, AA-00-04-00-8B-30)
```

Enter the unique address to associate with the cluster alias:

```
* Cluster Alias Phase IV Address (aa.nnnn OR AA-00-04-00-xx-xx) : 12.139
```

## Using the BASIC and ADVANCED Configuration Options

### 6.12 Configuring the Cluster Alias

If you entered a cluster alias full name, you need to specify the selection weight for this node. The selection weight determines the number of sequential incoming connects passed to this alias member node in the round-robin sequence before proceeding to the next member node in the sequence. A value of zero means this node is not eligible to receive incoming connections to this alias address. Selection weight apportions incoming alias connections according to the capacity of each alias member. For example, nodes with greater capacity should have larger values for the selection weight, while OpenVMS Cluster satellites should generally have a value of zero.

Specify a nonzero selection weight if this node is connected locally to a dual-ported disk, or if it will be serving any multihost disks, such as RFXx or HSC-connected disks, to other cluster members. Setting a selection weight that is too low encourages needless connection delay because each incoming connection is treated in a round-robin fashion. That is, as each new connection comes in, it must be passed to the next cluster member. HP recommends values between 5 and 10.

Enter the selection weight for this cluster member:

```
* Selection weight for this cluster node [0 for satellites] :
```

### 6.13 Summary Display

At this point, the procedure has asked all questions related to the node's configuration. The procedure displays a summary of most of the information gathered by the net\$configure dialog:

#### Summary of Configuration

##### Node Information

```
Directory Services Chosen:      DECDNS,LOCAL,DOMAIN
Primary Directory Service:      DECDNS
DECdns Full name:              ACME:.WABBIT.ELMER
Local Full name:               LOCAL:.ELMER
Fully Qualified
Host name:                     ELMER.WABBIT.ACME.EDU
Node Synonym:                  ELMER
Phase IV Address:              15.27
Phase IV Prefix:               49::
Session Control Address Update Interval:  10
Routing Node Type:             ENDNODE
Autoconfiguration of Network Addresses: Enabled
Routing ESHello Timer:         600
Routing ES Cache Size:         512
```

```
Alias Name:                     ACME:.WABBIT.HELP
```

##### Device Information:

```
Device: ESA0 (DESVA):
  Data Link name: CSMACD-0
  Routing Circuit Name: CSMACD-0
```

##### Transport Information:

```
NSP Transport:                  Configured
  Maximum number of logical links: 200
  Maximum Transmit and Receive Window: 20
  Maximum Receive Buffers: 4000
  Flow Control Policy: Segment Flow Control
```

## Using the BASIC and ADVANCED Configuration Options

### 6.13 Summary Display

```
OSI Transport:                               Configured
  Maximum number of logical links:           200
  Maximum Transmit and Receive Window:      20
  Maximum Receive Buffers:                  4000
  OSI applications over TCP/IP:             Enabled
  DECnet Applications over TCP/IP:          Enabled

Congestion Avoidance Disabled

Event Dispatcher Configuration:

  Sinks:          local_sink
  Outbound Streams: local_stream
  Phase IV Relay: Enabled
```

### 6.14 Generating the NCL Scripts

After displaying the configuration summary, the procedure asks if you want to create the NCL startup scripts based on the information you entered:

```
* Do you want to generate NCL configuration scripts?  [YES] :
```

Answer YES to accept the configuration you just specified. The procedure automatically generates a collection of NCL startup scripts in the `sys$manager` directory (all with the name `net$function_startup.ncl`). These scripts are invoked by the `net$startup` process when the network is started. You can see each script being invoked by watching for the `NET$STARTUP-I-EXECUTESCRIPT` messages during network startup. For more information about starting up the network, see the “Defining Logical Names That Modify Network Operation” and “Managing a Node” sections in the *HP DECnet-Plus for OpenVMS Network Management* manual.

The procedure also performs a checksum process on the scripts so that it can be aware if any of the scripts have changed when you run `net$configure` again. It displays a message indicating that the checksum process is in progress:

```
%NET$CONFIGURE-I-CHECKSUM, checksumming NCL management scripts
```

---

#### Note

---

The `net$configure` procedure only provides checksums of those NCL management scripts it creates or modifies. It does *not* provide checksums of user-modified NCL scripts.

---

### 6.15 Starting the Network

To complete the configuration, the `net$configure` procedure must start the network. Although it can complete most of the network configuration without an active network, it must start the network to complete the registration of the node in the various name services.

The procedure displays the following prompt:

```
* Do you want to start the network?                [YES] :
```

Answer YES if you want to start the network and complete your system’s network configuration.

## Using the BASIC and ADVANCED Configuration Options

### 6.15 Starting the Network

If you want to postpone starting the network, answer NO. When you answer NO, the procedure displays the following message:

```
*****
You have decided not to start the network. NET$CONFIGURE.COM
cannot complete your system's network configuration since it needs
the network to be partially started in order to perform certain
operations. As a result, your system may be left in an inconsistent
state if you try to startup the network manually or if you decide
to reboot your system.

Once you are ready to start the network, please invoke the
NET$CONFIGURE.COM procedure, choose menu Option 2 (Change node
name/namespace name), and respond YES to starting the network so
that the configuration procedure can finish your system's network
configuration.
*****
```

Network Startup Incomplete

HP strongly recommends that you answer YES to start the network.

When you choose to start the network, net\$configure invokes the sys\$startup:net\$startup.com procedure to start the network. The net\$startup procedure displays information similar to the following:

```
Copyright 2006 Hewlett-Packard Development Company, L.P.
%NET-I-LOADED, executive image LES$LES_V30.EXE loaded
%NET-I-LOADED, executive image NET$ALIAS.EXE loaded
%NET-I-LOADED, executive image NET$SESSION_CONTROL.EXE loaded
.
.
.
%NET$STARTUP-I-EXECUTESCRIPT, executing NCL script
SYS$SYSROOT:[SYSMGR]NET$NODE_STARTUP.NCL;
%NET$STARTUP-I-EXECUTESCRIPT, executing NCL script
SYS$SYSROOT:[SYSMGR]NET$CSMACD_STARTUP.NCL;
%NET$STARTUP-I-EXECUTESCRIPT, executing NCL script
SYS$SYSROOT:[SYSMGR]NET$FDDI_STARTUP.NCL;
.
.
.
%NET$STARTUP-I-OPERSTATUS, DECnet-Plus for OpenVMS operational status is
RUNNING-MAJOR
```

Although the system parameters process has been automated, you may still see the following message if net\$startup is not able to start the network due to insufficient system resources:

```
%NET$STARTUP-I-OPERSTATUS, DECnet-Plus for OpenVMS operational status is
OFF-AUTOGENREQ
```

## 6.16 Namespace Modification

Based on your answers about Phase IV database conversion, the directory service path, and the node's full name for each specified name service, the configuration procedure now performs a series of actions to register your node in the appropriate namespaces. The exact actions taken depend on the information you supplied, the existence of former node identification information for your node, and the state of the network and any DECdns name servers used during the namespace modification process.



## Using the BASIC and ADVANCED Configuration Options

### 6.16 Namespace Modification

The following series of messages is for a Local namespace-only configuration (including a Phase IV database conversion which includes the local node ASHFLD):

```
Directory Service: Phase IV database
Exporting node name information using: *
CONWAY
HEATH
ASHFLD
Number of nodes exported: 3

Directory Service: Local name file
Updating nodes listed in SYS$MANAGER:NET$PHASEIV_NODES.DAT
CONWAY
HEATH
ASHFLD
Number of nodes registered: 3
Number of nodes modified: 0

%NET$CONFIGURE-I-CONVERTNODEDB, converted the Phase IV node database
Directory Service: Local name file
Modifying the node: LOCAL:.ASHFLD
Modifying the node towers

%NET$CONFIGURE-I-NODERENAMED, node successfully renamed to LOCAL:.ASHFLD
%NET$CONFIGURE-I-FLUSHCACHE, flushing selected cache entries
```

---

#### Note

---

For sets of namespace modification messages for different name service and network configurations, see Section 7.6.

---

After namespace information is updated, the `net$configure` procedure calls `net$startup` a second time to start the event dispatcher, DECdts, the DECnet applications, and MOP (if enabled). It also enables the cluster alias at this time. During this phase of the startup, the procedure displays several messages similar to the following:

```
Copyright 2006 Hewlett-Packard Company, L.P.
%NET$STARTUP-I-STARTPROCESS, starting process EVD
%RUN-S-PROC_ID, identification of created process is 00000117
%NET$STARTUP-I-EXECUTESCRIPT, executing script
  SYS$SYSROOT:[SYSMGR]NET$EVENT_STARTUP.NCL
.
.
.
```

(a series of event messages are displayed by OPCOM)

```
.
.
.
%NET$STARTUP-I-STARTPROCESS, starting process DTSS
%RUN-S-PROC_ID, identification of created process is 00000118
%DTSS-I-SETTDF DTSS$SERVICE set new timezone differential
%NET$STARTUP-I-EXECUTESCRIPT, executing script
  SYS$SYSROOT:[SYSMGR]NET$APPLICATION_STARTUP.NCL
%NET-I-LOADED, executive image NET$LOOP_APPLICATION.EXE loaded
```



## Using the BASIC and ADVANCED Configuration Options

### 6.16 Namespace Modification

Finally, `net$configure` indicates that the configuration process is complete:

```
%NET$CONFIGURE-I-CONFIGCOMPLETED, DECnet-Plus for OpenVMS configuration
  completed
$
```

You have just completed the initial configuration of a DECnet-Plus for OpenVMS system. It should now be operational as a system on the network.

See Figure 3–1 and Figure 3–2 to determine your next step. According to the flowcharts, you have just completed configuring DECnet-Plus.

### 6.17 Modifying a Current DECnet-Plus System Configuration

You can use the `net$configure` procedure to modify the current configuration. Depending on which menu option you select, `net$configure` either modifies the configuration automatically or produces modified NCL scripts that you can use to modify the system's configuration.

See Chapter 7 for information about running the `net$configure` BASIC or ADVANCED options to modify your DECnet-Plus configuration.



---

## Modifying a Current Configuration

This chapter describes the steps necessary to modify a current configuration.

### 7.1 Choosing a Configuration Option

If your system has already been configured, you can modify it with the `net$configure basic` configuration option (the default) or with the `net$configure advanced` configuration option.

Table 7-1 provides some guidelines for making your configuration choice.

After you have decided with option to use, proceed to Section 7.2.

**Table 7-1 Choosing a Configuration Option to Modify a Current Configuration**

Option...	Choose if...
BASIC	<p>The node is in an OpenVMS Cluster.</p> <p>You are upgrading or reconfiguring DECnet-Plus.</p> <p>You need to access a DECdns server for network addresses.</p> <p>You have only one communications device, or you have multiple devices, all of which will be used for DECnet-Plus communications.</p> <p>You want to use the default names for all devices and routing circuits.</p> <p>You want to autoconfigure your network addresses only.</p> <p>You want to configure both the NSP and OSI transports and only want to create default OSI templates.</p> <p>You want to enable DECnet over TCP/IP (RFC 1859) or OSI applications over TCP/IP (RFC 1006).</p> <p>You do not want to enable FDDI large packet support (if you have an FDDI-type circuit).</p> <p>You want to set the routing characteristic DNA address format to TRUE (to control the interpretation of address structuring).</p> <p>You want to use integrated mode routing.</p>

(continued on next page)

## Modifying a Current Configuration

### 7.1 Choosing a Configuration Option

Table 7–1 (Cont.) Choosing a Configuration Option to Modify a Current Configuration

Option...	Choose if...
ADVANCED	<p>Your configuration is complex.</p> <p>You need to customize your network's configuration.</p> <p>Your system has multiple communication devices, and you want them to run a mix of protocols.</p> <p>You want to configure an OpenVMS Cluster with both DECnet Phase IV and DECnet Phase V nodes.</p> <p>You want the option to give specific names to all devices and routing circuits.</p> <p>You also want the option of not configuring all of your devices for DECnet-Plus.</p> <p>You want the option of manually entering your network addresses.</p> <p>You want to configure either the NSP transport or the OSI transport (or both). You want the option to create additional OSI templates.</p> <p>You want the option of enabling/disabling DECnet over TCP/IP or OSI applications over TCP/IP.</p> <p>You want the option of enabling FDDI large packet support (if you have an FDDI-type circuit).</p> <p>You want the option of setting the routing characteristic DNA address format to TRUE or FALSE (to control the interpretation of address structuring).</p> <p>You want the option of using either integrated mode routing or segregated mode routing.</p> <p>You want the option to provide default accounts for FAL.</p>

## 7.2 Invoking the Configuration Procedure

Begin by invoking the configuration procedure.

### BASIC

To invoke the `net$configure.com` procedure using the BASIC configuration option, enter the following command:

```
$ @sys$manager:net$configure basic
```

### ADVANCED

To invoke the `net$configure.com` procedure using the ADVANCED configuration option, enter the following command:

```
$ @sys$manager:net$configure advanced
```

## 7.3 Opening Messages

The procedure prints an opening message dependent on the configuration option you chose.

### BASIC

Copyright 2006 Hewlett-Packard Development Company, L.P.

DECnet-Plus for OpenVMS BASIC network configuration procedure

This procedure will help you create or modify the management scripts needed to operate DECnet on this machine. You may receive help about most questions by answering with a question mark '?'.  
?

## Modifying a Current Configuration

### 7.3 Opening Messages

You have chosen the BASIC configuration option. This option enables you to quickly configure your system by answering a few questions and using most of the default answers. If you would rather do some specific tailoring of your system's network configuration, you should invoke NET\$CONFIGURE.COM with the ADVANCED configuration option, ie:  
@SYS\$MANAGER:NET\$CONFIGURE ADVANCED

#### ADVANCED

Copyright 2006 Hewlett-Packard Development Company, L.P.

DECnet-Plus for OpenVMS ADVANCED network configuration procedure

This procedure will help you create or modify the management scripts needed to operate DECnet on this machine. You may receive help about most questions by answering with a question mark '?'.  
You have chosen the ADVANCED configuration option. This option enables you to do some specific tailoring of your system's network configuration by answering some specific questions. If you do not want to do specific tailoring of your system's network configuration but instead want to quickly configure your system using most of the default answers, you should invoke NET\$CONFIGURE.COM with the BASIC configuration option, ie:  
@SYS\$MANAGER:NET\$CONFIGURE BASIC

You have chosen the BASIC configuration option. This option enables you to quickly configure your system using most of the default answers, you should invoke NET\$CONFIGURE.COM with the BASIC configuration option, ie:  
@SYS\$MANAGER:NET\$CONFIGURE BASIC

#### BASIC and ADVANCED

Next, the procedure asks if you want to proceed with the configuration.

\* Do you want to continue? [YES] :

Answer YES if you want to continue. The procedure displays the date that the checksum file for the NCL startup scripts was last modified:

Configuration last run by SYSTEM on 18-SEP-2004 16:04:24.19

If previous configurations resulted in cluster-common NCL startup script files, the procedure uses one or more of the following messages to tell you which cluster-common script files are in use (see Section 7.16 for more information about cluster-common script files):

%NET\$CONFIGURE-I-USECOMMON, using cluster common APPLICATION script  
%NET\$CONFIGURE-I-USECOMMON, using cluster common EVENT script  
%NET\$CONFIGURE-I-USECOMMON, using cluster common MOP\_CLIENT script

If both cluster-common script files and system-specific script files exist, the procedure uses one or more of the following messages to tell you which system-specific script files are overriding the cluster-common script files:

%NET\$CONFIGURE-I-OVERRIDECOMMON, node specific APPLICATION script overrides the cluster common settings  
%NET\$CONFIGURE-I-OVERRIDECOMMON, node specific EVENT script overrides the cluster common settings  
%NET\$CONFIGURE-I-OVERRIDECOMMON, node specific MOP\_CLIENT script overrides the cluster common settings

The configuration procedure maintains a lock file (sys\$common:[sysmgr]net\$configure-lock.dat;1) to prevent multiple users from running the procedure at the same time. If another process is using the procedure, it displays the following message:

%NET\$CONFIGURE-I-WAITFORLOCK, the configuration database is in use by another process, waiting...

## Modifying a Current Configuration

### 7.3 Opening Messages

If the configuration procedure is unable to access the checksum file, or it can access the file but experiences a read error, the procedure displays one of the following two messages:

```
%NET$CONFIGURE-E-CKSOPENERR, error opening checksum file
%NET$CONFIGURE-E-CKSREADERR, error reading checksum file
```

If one of these error messages is displayed, the procedure exits. Determine the cause for the error and rerun `net$configure`.

## 7.4 The Main Options Menu

The configuration procedure now displays the main options menu that you can use to modify the current configuration:

```
Configuration Options for Node node-name:
[0]    Exit this procedure
[1]    Perform an entire configuration
[2]    Change naming information
[3]    Configure Devices on this machine
[4]    Configure Transports
[5]    Configure Timezone Differential Factor
[6]    Configure Event Dispatcher
[7]    Configure Application database
[8]    Configure MOP Client database
[9]    Configure Cluster Alias
[10]   Replace MOP Client configuration
[11]   Configure satellite nodes
[12]   Configure cluster script locations

* Which configuration option to perform?          [1] :
```

---

#### Note

---

If this is the first time you are invoking the `net$configure` procedure, or if you have deleted the checksum file, the main menu is *not* displayed. Instead, the procedure begins the full configuration dialog discussed in Chapter 6.

---

Choose the option you want. Selecting an option allows you to modify either the entire configuration or a particular portion. Based on your menu selection, proceed to the section indicated in the following table.

Menu Item	Option	Proceed to ...
1	Perform an entire configuration	Section 7.5
2	Change naming information	Section 7.6
3	Configure Devices on this machine	Section 7.7
4	Configure Transports	Section 7.8
5	Configure Timezone Differential Factor	Section 7.9
6	Configure Event Dispatcher	Section 7.10
7	Configure Application database	Section 7.11
8	Configure MOP Client database	Section 7.12

---

Menu Item	Option	Proceed to ...
9	Configure Cluster Alias	Section 7.13
10	Replace MOP Client Configuration	Section 7.14
11	Configure satellite nodes	Section 7.15
12	Configure cluster script locations	Section 7.16

---

---

**Note**

---

The procedure displays Options 11 or 12 only if the procedure is executing on a cluster member. Option 12 is displayed only if you invoke the procedure in ADVANCED mode. See Section 7.15 and Section 7.16 for more information.

---

## 7.5 Changing an Entire Configuration

To make changes to the entire configuration, select option 1 from the main options menu:

```
* Which configuration option to perform?          [1] : 1
```

In most sections, the procedure displays the same prompts that were displayed during the initial configuration dialog. However, in some dialog sections there are differences. For this reason, you should see the following sections for the resulting dialog:

1. Phase IV database conversion — Section 6.3
2. Node naming service and name information — Section 7.6
3. Routing information — Section 6.5
4. Device information — Section 6.6
5. Transport information — Section 7.8
6. Event Dispatcher information — Section 7.10
7. Applications information — Section 7.11
8. MOP information — Section 6.11
9. Configuration summary display — Section 7.17
10. NCL script generation — Section 7.18
11. Network startup — Section 7.19

Because it is highly likely that you will do a reconfiguration while the network is running using a previous configuration, you will probably not see the prompts related to starting the network. Therefore, to implement the new NCL scripts, you must reboot the system.

The system displays the same prompts that were displayed for the initial configuration. In most cases, the prompts now show the current configuration values as the default. If you do not want to change the current values, accept the default value. Refer to the sections indicated above for an explanation of the prompts.

## Modifying a Current Configuration

### 7.6 Changing the Node Name/namespace Name

## 7.6 Changing the Node Name/namespace Name

To change the directory name services used on the system, the system's full names or the fully qualified host name, or the system's node synonym, select option 2 from the main menu:

\* Which configuration option to perform? [1] : 2

Although the basic dialog questions are identical to those documented in Section 6.4, there are many possible variants and many possible final configuration outcomes based on the answers you provide in this section and the current status of your system. After a discussion of some processing topics common to all configuration variants, the remainder of this section discusses several possible configuration modifications for name services and node names:

- Changing the node from the Local-only namespace to a DECdns namespace as the primary with the Local namespace as the secondary (see Section 7.6.3).
- Changing the node as in the previous item except using a DECdns server on a WAN instead of on a LAN (see Section 7.6.4).
- Changing a DECdns clerk system to a DECdns server system (see Section 7.6.5).
- Changing a DECdns server system back to a DECdns clerk system (see Section 7.6.6).
- Changing a DECdns clerk system with a previous DECdns server configuration back to a DECdns server system (see Section 7.6.7).
- Modifying a DECdns server system to use the DECdns namespace as a secondary namespace (see Section 7.6.8).

For each of the modifications in the previous list, the `net$configure` procedure processing occurs in three steps:

1. **Configuration dialog processing** — occurs as you provide the configuration information. Based on the information you provide and the status of the current configuration, the procedure customizes the configuration dialog to each task.
2. **Namespace selection processing** — occurs after all configuration dialog processing has finished and before the actual namespace configuration processing begins. Based on the information you provide, the procedure places the system in a condition suitable for the namespace configuration processing. This processing usually involves calling the `dns$configure.com` procedure to configure the DNS clerk to use the new namespace. It may also involve namespace creation.
3. **Namespace configuration processing** — occurs after any necessary namespace selection processing. This processing actually registers the new node information in the appropriate namespace.



## Modifying a Current Configuration

### 7.6 Changing the Node Name/namespace Name

#### 7.6.1 Common Namespace Selection Processing

When configuring a local system (versus a satellite system), all configuration changes made by using option 2 are executed directly. For this reason, the network must be running. During namespace selection processing, net\$configure always begins by verifying that the network is running. If the network is not running, the procedure asks you if you want to start the network:

```
* Do you want to start the network ?                [YES]:
```

Answer YES to start the network and continue the node's configuration. If you answer NO, or if the procedure fails in its attempt to start the network, the procedure warns you that you must elect to start the network or correct the problem that is causing the start attempt to fail and then reinvoke option 2:

```
%NET$CONFIGURE-E-NETNOTSTARTED, network not started
%NET$CONFIGURE-DNSNOTCONFIG, DNS could not be configured
*****
NET$CONFIGURE.COM cannot complete your system's network configuration.
As a result, your system may be left in an inconsistent state if you
try to startup the network manually or if you decide to reboot your
system.
```

```
When the problem is rectified and you are ready to start the network,
please invoke the NET$CONFIGURE.COM procedure and choose menu option 2
(Change naming information) so that the configuration procedure can
finish your system's network configuration before starting the network.
*****
```

After displaying this warning, the procedure aborts the transaction and returns to the main options menu:

```
%NET$CONFIGURE-I-LASTTRANSABORT, last transaction aborted

Configuration Options for Node ASHFLD

[0]   Exit this procedure
[1]   Perform an entire configuration
[2]   Change naming information
.
.
.
* Which configuration option to perform?                [0] :
```

---

#### Note

---

The remaining tasks in this section assume that the network is running or that net\$configure can successfully start it.

---

#### 7.6.2 Modifying Node Information on Satellite Systems

During satellite node configurations (see Section 7.15), the procedure does only configuration dialog processing. Rather than actually manipulate the namespace, the procedure generates a node rename file (net\$startup\_rename.com) in the satellite's sys\$manager: directory. To apply the node name change, you must reboot the satellite node. During startup, the net\$startup.com procedure searches for the node rename file and executes the file if located.

## Modifying a Current Configuration

### 7.6 Changing the Node Name/namespace Name

---

#### Important

---

When configuring a satellite node, you must register the node before rebooting the satellite. The `net$configure` procedure does not register the node for you.

---

#### 7.6.3 Changing a Node to Use DECdns as the Primary Namespace

This section describes how to add the DECdns namespace as the primary namespace to a system formerly configured exclusively in the Local namespace.

---

#### Note

---

This task discussion assumes that no DECdns server software exists on the system being configured. If the DECdns server software exists on the system but has never been configured, see Section 7.6.5. If the DECdns server software exists on the system and has been configured, see Section 7.6.7.

---

#### Configuration Dialog Processing

The following example shows a typical dialog to change the node from a Local namespace-only node to a node using both the DECdns and Local namespaces (with DECdns as the primary name service):

```
* Which configuration option to perform?           [1] : 2
* Enter the directory services to use on the system [LOCAL] : decdns,local
* Enter the full name for directory service DECDNS   : hp:.ashfld
* Enter the full name for directory service LOCAL [LOCAL:.ASHFLD] :
* What is the synonym name for this node?           [ASHFLD] :
* Naming cache timeout value?                       [30-00:00:00] :
* Session Control Address Update Interval ?        [10] :
* Naming cache checkpoint interval?                 [08:00:00] :
```

#### Namespace Selection Processing

Based on the answer provided during configuration dialog processing, the configuration procedure verifies that it can communicate with the server containing the DECdns directory and then calls the `dns$configure.com` procedure to configure the clerk for this namespace:

```
sys$manager:net$dns_clerk_startup.ncl changed to use the new default namespace.
Your default namespace nickname is HP.
Your default namespace NSCTS is AA-00-04-00-DE-11-A0-AA-F9-6F-56-DE-8E-00.
```

If the configuration procedure cannot communicate with the DECdns server containing the DECdns directory, the procedure displays the following message:

```
%NET$CONFIGURE-E-DNSNOSHOW, unable to show directory directory
```

#### Namespace Configuration Processing

Based on the answers provided during configuration dialog processing, the configuration procedure executes the new name service searchpath NCL script, renames the node, modifies the Local namespace entry, registers the node in the DECdns namespace, flushes the CDI cache, updates the node's address towers, and updates the backtranslation softlink for the node:

## Modifying a Current Configuration

### 7.6 Changing the Node Name/namespace Name

```
%NET$CONFIGURE-I-NODERENAMED, node successfully renamed to HP:.ASHFLD
Directory Service: Local name file
Modifying the node: LOCAL:.ASHFLD
Modifying the node towers

Finished obtaining address tower information
%NET$CONFIGURE-I-IMPORTFILECREATED, created the DECNET_REGISTER import file
Directory Service: DECDns
Updating nodes listed in SYS$MANAGER:DECNET_REGISTER_IMPORT_FILE_ASHFLD.TXT
    1) HP:.ASHFLD

Number of nodes registered: 1
Number of nodes modified:  0

%NET$CONFIGURE-I-REGSUCCESS, node has been successfully registered in the
DECDns directory service
%NET$CONFIGURE-I-FLUSHCACHE, flushing selected cache entries
%NET$CONFIGURE-I-CHECKPOINTWAIT, waiting for CDI to write the node name to
the CDI cache file
%NET$CONFIGURE-I-CHECKPOINTDONE, the node name has been
written to SYS$SYSTEM:DECNET$CDI_CACHE.DAT
%NET$CONFIGURE-I-TOWERSUPDATED, updated address towers for node
%NET$CONFIGURE-E-BCKTRNUPDATED, updated backtranslation softlink for node
```

The procedure then displays the configuration summary, recalculates the NCL script file checksums, and redisplay the main options menu:

```
Summary of Configuration

Node Information:

Directory Services Chosen:      DECDNS,LOCAL
Primary Directory Service:      DECDNS
DECdns Full name:               HP:.ASHFLD
Local Full name:                LOCAL:.ASHFLD
Node Synonym:                   ASHFLD
Phase IV Address:               24.66
Phase IV Prefix:                49::
DECdns Node Type:               Clerk
Session Control Address Update Interval: 10
Routing Node Type:              ENDNODE
Autoconfiguration of Network Addresses: Enabled
Routing ESHello Timer:          600
Routing ES Cache Size:          512
```

```
.
.
.
%NET$CONFIGURE-I-MODCHECKSUM, checksumming NCL management scripts modified by NET$CONFIGURE
```

```
%NET$CONFIGURE-I-CONFIGCOMPLETED, DECnet-Plus for OpenVMS configuration complete
```

```
Configuration Options for Node ASHFLD
```

```
[0]   Exit this procedure
[1]   Perform an entire configuration
[2]   Change naming information
```

```
.
.
.
```

```
* Which configuration option to perform?          [0] :
```

## Modifying a Current Configuration

### 7.6 Changing the Node Name/namespace Name

---

#### Note

---

If you are joining a Distributed Name Service (DNS) Version 1.1 namespace, make sure you have access to the remote server's `sys$library:dns$ns_def_file.dat` file.

Invoke the procedure `sys$manager:dns$configure.com` and use Option 2 on the DECdns configuration menu to connect to a remote DNS Version 1 server. Make sure the SYSTEM account on your DECdns Version 2 clerk has DECnet\_FAL access or proxy access to the `sys$library:dns$ns_def_file.dat` file on the remote Version 1 server. These accounts need this access to successfully copy the Version 1 server information contained in the `sys$library:dns$ns_def_file.dat` file. If you are running the DECdns configuration program under a privileged account other than SYSTEM, the account still requires the appropriate access.

---

#### 7.6.4 Configuring a DECdns Clerk System to Use a WAN DECdns Server

This section discusses the same task as the previous section (adding a DECdns namespace name to a system formerly configured exclusively in the Local namespace). However, it shows the extra processing that occurs when you join a namespace that is not available on your node's LAN.

##### Configuration Dialog Processing

For the purposes of this discussion, the configuration dialog processing is assumed to be identical to the processing shown in Section 7.6.3.

##### Namespace Selection Processing

If your node is a DECdns clerk and the `net$configure` procedure detects that the namespace you identified in the system's DECdns full name is not served by a DECdns server on the LAN, it displays a list of all the namespaces that do exist on the LAN:

```
The namespace you specified was HP.
```

```
%DNS-E-NOMATNS, The specified namespace is not being served on your LAN.  
Please choose from the following list:
```

```
[ 1] APOLLO  
[ 2] IAF  
[ 3] MIDAS_NS  
[ 0] - Reject this list -
```

```
Pick a number from the list: 0 
```

When you see this display, type 0 and press Return to reject the list of namespaces currently known on your LAN.

The procedure then asks if you want to continue the process using a WAN connection:

```
Attempts to configure DECdns via a LAN have failed.
```

```
Type Y to attempt a WAN connection to a remote DECdns  
server. To stop DECdns Configuration and return  
control to the NET$CONFIGURE utility, type N at the  
following prompt:
```

```
Do you want to connect to a remote DECdns server via a WAN [y]:
```

## Modifying a Current Configuration

### 7.6 Changing the Node Name/namespace Name

Answer YES to connect to a remote server via a WAN. The procedure then prompts you for the remote server's network service access point (NSAP), Phase IV-compatible address (if it has one), or IP address. The NSAP is the network entity title (NET) with a valid transport selector. To find this information, contact the DECdns server's system administrator. The server system probably has a number of different NSAPs. You can use any of these NSAPs to connect to the server system, but you must enter the NSAP in the format in which it is displayed.

```
Attempting to configure a clerk via a WAN connection.
```

```
Enter the NSAP or Phase IV compatible address or IP address of the server
you want to connect to: 24.16
```

```
Getting server data, please wait...
```

If the procedure successfully connects with the server, the remainder of the namespace selection processing is identical to Section 7.6.3.

If the procedure cannot connect to the remote server, the procedure displays the following messages, aborts the transaction, and displays the main options menu:

```
Could not get information from server. Both Phase IV and Phase V
connection attempts failed. Use the following information to help correct
the problem.
```

```
Could not connect to remote Phase V server
Could not connect to remote Phase IV server:
```

```
The WAN configuration attempt failed. Do you wish to retry? [y]: N
%DNS-E-NOCONFIG, DECdns clerk is not configured.
```

```
%NET$CONFIGURE-I-LASTTRANSABORT, last transaction aborted
```

Correct the problem preventing the connection to the WAN server and run net\$configure again.

#### Namespace Configuration Processing

The namespace configuration processing is identical to the namespace configuration processing shown in Section 7.6.3. When performing the actual namespace configuration processing, it makes no difference whether the DECdns server is on a LAN or on a WAN.

### 7.6.5 Converting a DECdns Clerk System to a DECdns Server System

This section describes how to convert a DECdns clerk system into a DECdns server system.

---

#### Note

---

This description assumes that the DECdns namespace name that you specify in the dialog section is not currently configured in your network and that it is your intention to configure the first occurrence of this namespace on your system.

---

#### Configuration Dialog Processing

To convert a DECdns clerk system to a DECdns server, you must install the DECdns server component using the PCSI installation procedure (see Chapter 3). You can install the DECdns server before or after the initial network configuration.

## Modifying a Current Configuration

### 7.6 Changing the Node Name/namespace Name

- If you installed the DECdns server software *before* you did the initial configuration, the net\$configure procedure renamed the sys\$startup:dns\$server\_startup.com file to dns\$server\_startup.com-disabled during the initial configuration. The procedure informs you that this was done and asks if you want to change the system into a DECdns server:

A SYS\$STARTUP:DNS\$SERVER\_STARTUP.COM-DISABLED file has been located. This indicates that the DECdns server software has been installed, but this system was previously configured as a DECdns clerk.

Answer YES to the next question if you want to rename this file to DNS\$SERVER\_STARTUP.COM and configure the node as a DNS Server. If you take the default, this node will remain a DNS Clerk.

\* Do you want to change this system into a DECdns server? [NO]:

**Answer NO to leave your system configured as a DECdns clerk system.**

**Answer YES to rename the sys\$startup:dns\$server\_startup.com-disabled file to sys\$startup:dns\$server\_startup.com and configure your system as a DECdns server.**

- If you installed the DECdns server option *after* the initial configuration, the procedure indicates that it has found a sys\$startup:dns\$server\_startup.com file and asks you if you want to rename the file to sys\$startup:dns\$server\_startup.com-disabled:

A SYS\$STARTUP:DNS\$SERVER\_STARTUP.COM file has been located. If you do not want to configure this node as a DECdns server, you may now choose to rename that file to DNS\$SERVER\_STARTUP.COM-DISABLED.

Answer YES to the next question if you want to configure this node as a DECdns clerk. If you take the default, this node will be configured as a DECdns server.

Do you want to rename DNS\$SERVER\_STARTUP.COM to .COM-DISABLED? [NO]:

**Answer YES to rename the sys\$startup:dns\$server\_startup.com file to sys\$startup:dns\$server\_startup.com-disabled and to leave your system configured as a DECdns clerk system. Answer NO to leave the sys\$startup:dns\$server\_startup.com as is and to configure your system as a DECdns server.**

Whether you installed the DECdns server software before or after the initial configuration, if you elect to create a new DECdns server system, the procedure warns you that you must specify DECdns as the primary name service when you configure a DECdns server for the first time:

Your node will be configured as a DNS Server. Since you are configuring this DNS server for the first time, you must specify DECdns as the primary naming service.

If you did not enter DECdns as the primary name service, the procedure displays the following warning and gives you a chance to re-enter the name service list with DECdns as the primary name service:

You must specify DECdns as the primary naming service while configuring a DECdns server for the first time. If you answer NO to the next question, then NET\$CONFIGURE will rename the SYS\$STARTUP:DNS\$SERVER\_STARTUP.COM file to .COM-DISABLED so that the node will not boot as a DNS server until it has been configured properly.

\* Do you want to re-enter your list of directory services? [YES]:

## Modifying a Current Configuration

### 7.6 Changing the Node Name/namespace Name

If you specify DECdns as the primary naming service, configuration dialog processing continues as shown in the configuration dialog processing section of Section 7.6.3.

If you do not re-enter the list of directory services with DECdns as the first name service, the procedure renames the DECdns server startup file back to .com-disabled and the conversion to a DECdns server is aborted.

If you do not have a proper license for the DECdns server software (DVNETEXT for OpenVMS I64 and OpenVMS Alpha systems or DVNETRTG for OpenVMS VAX systems), the procedure displays a message explaining that you need a license, renames the dns\$server\_startup.com file to dns\$server\_startup.com-disabled, and reprompts you for a list of directory services:

```
OpenVMS I64 and OpenVMS Alpha DECdns servers require the DVNETEXT
license. This license is not yet loaded so this system will be
configured as a DECdns clerk. To reconfigure this system as a server,
please load this license and run NET$CONFIGURE again choosing Option 2.
```

```
%RENAME-I-RENAMED, SYSSYSROOT:[SYS$STARTUP]DNS$SERVER_STARTUP.COM;1 renamed to
SYSSYSROOT:[SYS$STARTUP]DNS$SERVER_STARTUP.COM-DISABLED;1
```

```
* Enter the directory services to use on the system [LOCAL] :
```

---

#### Note

---

For the purposes of this example, the DECdns full name was specified using a null directory path:

```
* Enter the full name for directory service DECDNS : HP:.ASHFLD
```

The net\$configure procedure does not support automatic creation of any directories in the directory path of the node's DECdns full name; only node object creations in the root directory ( . ) are supported. If you need to specify a directory path, enter it in the dialog. When the automatic node registration fails, use the DECdns Control Program (DNSCP) to create the directories in the directory path (see the "Managing Directories" chapter in the *HP DECnet-Plus for OpenVMS DECdns Management* manual) and then use decnet\_register to register the node (see the "Managing Name Service Searches and Information" chapter in the *HP DECnet-Plus for OpenVMS Network Management* manual).

---

#### Namespace Selection Processing

To configure a new namespace, the net\$configure procedure calls dns\$configure.com twice: first to configure the system with the Local namespace as primary (this is a requirement for namespace creation), then to configure the system with the new namespace as primary:

```
sys$manager:net$dns_clerk_startup.ncl changed to use the new default namespace.
```

```
Your default namespace nickname is LOCAL.
```

```
Your default namespace NSCTS is 08-00-2B-0D-C0-9D-5F-FA-A9-88-43-46-95-00.
```

```
The namespace you specified was HP.
```

When dns\$configure.com is called with the new namespace, it indicates that the namespace is not currently being served on the LAN, displays a list of all the known namespaces, and asks you to choose a known namespace or reject the list entirely:



## Modifying a Current Configuration

### 7.6 Changing the Node Name/namespace Name

```
%DNS-E-NOMATNS, The specified namespace is not being served on your LAN.  
please choose from the following list
```

```
[ 1] AUTUMN  
[ 2] DEC  
[ 3] DOMAIN  
  
[ 0] - Reject this list -
```

Pick a number from the list: 0

When you see this display, enter 0 and press Return to reject the list of known namespaces. The procedure then asks if you want to create a new namespace:

```
If you are installing DECnet-Plus for OpenVMS for the first time  
and you want to create a namespace, type Y. If you want to  
attempt a WAN connection to a remote DECdns server,  
type N (default) at the following prompt:
```

Do you want to proceed with creating a new namespace [n]: y

If you answer NO, the `dns$configure.com` procedure returns an error to the `net$configure` procedure. The transaction is aborted and the main options menu is redisplayed.

If you answer YES, the `dns$configure.com` procedure asks you for the clearinghouse name to use for the new namespace, starts the DECdns server process, and informs you that the default namespace has been set to the new namespace:

```
Your next input will determine the name of the clearinghouse  
in your namespace HP. Enter the clearinghouse name as  
alphanumeric and/or underscore characters.
```

Enter a simple name for the clearinghouse: HP\_CH

```
Node 0  
at 2003-03-28-17:40:35.901-04:00I675.395
```

```
Creating DECdns Server process ...  
%RUN-S-PROC_ID, identification of created process is 00000082
```

Your default namespace nickname is HP.

```
Node 0  
at 2003-03-28-17:40:46.777-04:00I675.396
```

### Namespace Configuration Processing

During namespace selection processing, the `dns$configure.com` procedure only creates the new namespace. The `net$configure` procedure now populates the namespace with the initial groups and directories required of all namespaces (see the *DECnet-Plus Planning Guide* for more information about how DECnet-Plus uses the DECdns namespace):

```
%NET$CONFIGURE-I-NEWMAMESPACE, a new namespace has been created  
%NET$CONFIGURE-I-ADDGROUP, adding .WorldRead_Group to the new namespace
```

```
Create the initial namespace directories.  
Press Ctrl/Z at any question to cancel the initialization.
```

```
* Phase IV prefix value [afi:idi:predsp, Def=49:]:  
* Maximum Phase IV area to use [1-63, Def=63]:
```

The DECdns namespace groups and directories will now be created. This might take up to 67 minutes or more, depending on the speed of the DECdns server system and the amount of traffic on the network.



## Modifying a Current Configuration

### 7.6 Changing the Node Name/namespace Name

```
Creating the HP:.DNA_Registrar group.
Creating the HP:.DNA_BackTranslation directory.
Creating the HP:.DNA_BackTranslation.%X49 directory.
Creating the HP:.DNA_BackTranslation.%X49.%X0001 directory.
Creating the HP:.DNA_BackTranslation.%X49.%X0002 directory.
```

```
.
.
```

```
Creating the HP:.DNA_NodeSynonym directory.
Creating the HP:.DTSS_GlobalTimeServers directory.
```

DECdns namespace initialization for DECnet use is complete.

**The procedure then gives you a summary of further actions you must take to make the namespace fully functional and displays a summary of the directories it created (and any errors encountered during their creation):**

If this is the first time you have initialized the namespace for DECnet use, use SYS\$SYSTEM:DECNET\_REGISTER.EXE to:

\* Press Return to continue

- Create a command file to automatically register previously defined Phase IV nodes. Execute this command file before you manually register any other nodes using SYS\$SYSTEM:DECNET\_REGISTER.EXE.
- Create any directories you need for node names that should be registered immediately, according to your namespace design. This includes the node you are currently running on.
- Be sure to add backtranslation directories for any non Phase IV areas/IPDs. Failure to do so will lead to Backtranslation Failures. Once you've added the necessary backtranslation directories, you may need to use the ncl flush session control naming cache entry "\*" command.
- Change the local node's registered name from its default name to its final full name. The local node will be registered as a Phase IV node with a default name when you execute the Phase IV node registration command file above.
- Change the currently registered names of other nodes from their default names to their final full names when appropriate (for example, when they are upgraded to run DECnet-Plus software).

Continue to use SYS\$SYSTEM:DECNET\_REGISTER.EXE to:

- Create any additional directories you need for node names, as new nodes are brought up on the network.
- Register new nodes as they are brought up on the network.
- Add members to the HP:.DNA\_Registrar access control group.

\* Press Return to continue

Additionally, you can use the DECdns control utility to:

- Add specific access control to individual directories, objects, and soft links.
- Create replicas of directories.

The following were created:

```
Group:      HP:.DNA_Registrar
Directory:  HP:.DNA_BackTranslation
Directory:  HP:.DNA_BackTranslation.%X49
Directories: HP:.DNA_BackTranslation.%X49.*
Directory:  HP:.DNA_NodeSynonym
Directory:  HP:.DTSS_GlobalTimeServers
```

\* Press Return to continue

## Modifying a Current Configuration

### 7.6 Changing the Node Name/namespace Name

```
%NET$CONFIGURE-I-CREATEINITDIR, created initial namespace directories
```

Now that the new namespace is properly configured for DECnet-Plus use, the procedure registers your system in the new namespace using the information you supplied during configuration dialog processing:

```
Directory Service: DECDns
```

```
Registering the node: HP:.ASHFLD
```

```
%NET$CONFIGURE-I-REGSUCCESS, node has been successfully registered in  
the HP: directory service
```

Based on the answers provided during configuration dialog processing, the configuration procedure executes the new name service searchpath NCL script, renames the node, modifies the Local namespace entry, flushes the CDI cache, updates the node's address towers, and updates the backtranslation softlink for the node:

```
%NET$CONFIGURE-I-NODERENAMED, node successfully renamed to  
HP:.ASHFLD
```

```
Directory Service: Local name file
```

```
Modifying the node: LOCAL:.ASHFLD
```

```
Modifying the node towers
```

```
%NET$CONFIGURE-I-FLUSHCACHE, flushing selected cache entries
```

```
%NET$CONFIGURE-I-TOWERSUPDATED, updated address towers for node
```

```
%NET$CONFIGURE-I-BCKTRNUPDATED, updated backtranslation softlink for node
```

The procedure then displays the configuration summary, recalculates the NCL script file checksums, and redisplay the main options menu:

```
Summary of Configuration
```

```
Node Information:
```

```
Node Type:                ENDNODE  
Directory Services Chosen:  DECDNS  
Primary Directory Service:  DECDNS  
DECDns Full name:         HP:.ASHFLD  
DECDns Node Type:         Server  
Node Synonym:             ASHFLD  
Phase IV Address:         24.121  
Phase IV Prefix:          49::  
Autoconfiguration of Network Addresses: Enabled  
Session Control Address Update Interval: 10  
Routing ESHello Timer:    600  
Routing ES Cache Size:    512
```

```
.  
.  
.
```

```
%NET$CONFIGURE-I-MODCHECKSUM, checksumming NCL management scripts modified  
by NET$CONFIGURE
```

```
%NET$CONFIGURE-I-CONFIGCOMPLETED, DECnet-Plus for OpenVMS configuration  
completed
```

```
Configuration Options for Node ASHFLD
```

```
[0]   Exit this procedure  
[1]   Perform an entire configuration  
[2]   Change naming information
```

## Modifying a Current Configuration

### 7.6 Changing the Node Name/namespace Name

---

#### Note

---

If the node registration fails, use the `decnet_register` tool to register the node (the procedure does not create a `decnet_register` import file when creating a local namespace):

```
$ net_register = "$sys$system:decnet_register"
$ net_register register node HP:.ASHFLD directory DECDNS -
_$ towers {SC3/NSP/phaseiv-address,SC3/TP4/phaseiv-address} SYNONYM ASHFLD
```

---

#### 7.6.6 Converting a DECdns Server to a DECdns Clerk System

This section describes how to convert a DECdns server system to a DECdns clerk system.

##### Configuration Dialog Processing

The procedure checks for the existence of a valid DECdns server configuration (by searching for the `sys$manager:dns_files.txt` file). If it finds the file and the file passes verification testing, the procedure displays the following message and asks if you want to convert the server to a clerk:

```
The directory pointed to by SYS$MANAGER:DNS_FILES.TXT is valid.
This indicates that the node has been previously configured as
a DECdns server.
```

```
Answer YES to the next question if you would like to rename the
the DNS$SERVER_STARTUP.COM file to .COM-DISABLED to change this
node to a DECdns clerk. If you take the default, the node will
be configured as a DECdns server.
```

```
Do you want to rename DNS$SERVER_STARTUP.COM to .COM-DISABLED.COM? [NO]:
```

Answer NO to leave your system configured as a DECdns server system.

Answer YES to rename the `sys$startup:dns$server_startup.com` file to `sys$startup:dns$server_startup.com-disabled` and configure your system as a DECdns clerk. In both cases, configuration dialog processing continues as shown in the configuration dialog processing section of Section 7.6.3.

---

#### Notes

---

Except for renaming the `dns$server_startup.com` file, the `net$configure` procedure does not delete any configuration information associated with the existing DECdns server configuration. Therefore, when you follow the procedures given in Section 7.6.7, the DECdns server is fully restored to its former configuration.

The `net$configure` procedure does not shut down the DECdns server. To shut down the server without having to reboot the system, invoke the `sys$startup:dns$server_shutdown.com` procedure.

---

##### Namespace Selection Processing

Assuming that no other changes are made during configuration dialog processing, namespace selection processing verifies that it can communicate with another DECdns server containing the same namespace and then calls the `dns$configure` procedure to reconfigure the clerk for the namespace:

## Modifying a Current Configuration

### 7.6 Changing the Node Name/namespace Name

sys\$manager:net\$dns\_clerk\_startup.ncl changed to use the new default namespace.  
Your default namespace nickname is HP.  
Your default namespace NSCTS is AA-00-04-00-DE-11-A0-AA-F9-6F-56-DE-8E-00.

#### Namespace Configuration Processing

The procedure reruns the name service searchpath NCL script. Whenever a DECdns namespace is involved the process renames the node, flushes the cache, updates the address towers, and updates the backtranslation softlink:

```
%NET$CONFIGURE-I-NODERENAMED, node successfully renamed to HP:.ASHFLD
%NET$CONFIGURE-I-FLUSHCACHE, flushing selected cache entries
%NET$CONFIGURE-I-TOWERSUPDATED, updated address towers for node
%NET$CONFIGURE-I-BCKTRNUPDATED, updated backtranslation softlink for node
```

The procedure then displays the configuration summary, recalculates the NCL script file checksums, and redisplay the main options menu:

```
Summary of Configuration
Node Information:

Node Type:                ENDNODE
Directory Services Chosen:  DECDNS
Primary Directory Service:  DECDNS
DECdns Full name:         HP:.ASHFLD
DECdns Node Type:         Clerk
Node Synonym:             ASHFLD
Phase IV Address:         24.121
Phase IV Prefix:          49::
Autoconfiguration of Network Addresses:  Enabled
Session Control Address Update Interval:  10
Routing ESHello Timer:    600
Routing ES Cache Size:    512
.
.
.
%NET$CONFIGURE-I-MODCHECKSUM, checksumming NCL management scripts modified
by NET$CONFIGURE
%NET$CONFIGURE-I-CONFIGCOMPLETED, DECnet-Plus for OpenVMS configuration
completed

Configuration Options for Node ASHFLD

[0]   Exit this procedure
[1]   Perform an entire configuration
[2]   Change naming information
```

#### 7.6.7 Reverting a DECdns Clerk System Back to a DECdns Server System

This section describes how to revert back to a previous DECdns server configuration after converting a DECdns server system to a DECdns clerk system.

##### Configuration Dialog Processing

When you previously converted the system to a DECdns clerk system, the net\$configure procedure renamed the sys\$startup:dns\$server\_startup.com file to dns\$server\_startup.com-disabled during the conversion. The procedure informs you that this was done and asks if you want to change the system back into a DECdns server:

## Modifying a Current Configuration

### 7.6 Changing the Node Name/namespace Name

```
A SYS$STARTUP:DNS$SERVER_STARTUP.COM-DISABLED file has been located.
This indicates that the DECdns server software has been installed,
but this system was previously configured as a DECdns clerk.
```

```
Answer YES to the next question if you want to rename this file
to DNS$SERVER_STARTUP.COM and configure the node as a DNS Server.
If you take the default, this node will remain a DNS Clerk.
```

```
* Do you want to change this system into a DECdns server? [NO]:
```

**Answer NO to leave your system configured as a DECdns clerk system. Answer YES to rename the `sys$startup:dns$server_startup.com-disabled` file to `sys$startup:dns$server_startup.com` and reconfigure your system as a DECdns server.**

If you choose to convert the system back to a DECdns server, the procedure checks for the existence of a valid DECdns server configuration (by searching for the `sys$manager:dns_files.txt` file). If it finds the file and the file passes verification testing, the procedure displays the following message:

```
The directory pointed to by SYS$MANAGER:DNS_FILES.TXT is valid.
This indicates that the node has been previously configured as
a DECdns server.
```

If the procedure does not find the configuration file or the file does not pass verification testing, the procedure treats this configuration as a new conversion to a DECdns server. See the configuration dialog processing section in Section 7.6.5 for information about limitations on the directory service list in this case (see the information directly following the bulleted list).

Assuming that the configuration file is found and that it passes verification testing, the procedure begins the standard directory service/node name dialog by asking for the directory services to use and, based on the answer, the DECdns full name:

```
* Enter the directory services to use on the system [LOCAL] : decdns,local
* Enter the full name for directory service DECDNS           : hp:.ashfld
```

Because you have specified a DECdns name on a system that already has a DECdns server configuration, the procedure checks the server's clearinghouses to make sure that you are specifying a namespace already served by this system:

```
NET$CONFIGURE is searching for pre-existing clearinghouses
on this DNS Server.

Clearinghouse: HP:.HP_CH
```

Note that this check requires that the `net$configure` procedure start the DECdns server using the newly renamed `sys$startup:dns$server_startup.com` file. If you are running `net$configure` on the console and you have events enabled, you should see one or more Clearinghouse Enabled events as the DECdns server enables the existing clearinghouses on the server.

The `net$configure` procedure does not support creation of more than one namespace on a system. If it cannot find a clearinghouse for the namespace you entered, it displays the following message:

```
There is no clearinghouse on this DNS Server for the namespace
you specified in your DECdns fullname. To proceed with this rename,
you may now provide a different DECdns fullname -- one that is
in a namespace displayed above.
```

## Modifying a Current Configuration

### 7.6 Changing the Node Name/namespace Name

If you wish to use a namespace or clearinghouse name not previously known to this DNS Server, then this rename cannot proceed until you have manually ensured that the existing clearinghouse has been deleted.

\* Do you want to provide a different DECdns fullname? [YES]:

If you answer YES, the procedure returns to the DECdns fullname prompt and, after you enter a DECdns full name using the proper namespace, configuration dialog processing continues:

```
* Enter the full name for directory service LOCAL [LOCAL:.ASHFLD] :
* What is the synonym name for this node?           [ASHFLD] :
* Naming cache timeout value?                       [30-00:00:00] :
* Session Control Address Update Interval ?        [10] :
* Naming cache checkpoint interval?                 [08:00:00] :
```

If you answer NO, the procedure displays the following message and aborts the rename operation:

Please refer to Section 9.6 of DECnet-Plus DECdns Management manual, for instructions on Deleting a Clearinghouse before invoking NET\$CONFIGURE again to rename this DNS Server.

```
%NET$CONFIGURE-I-LASTTRANSABORT, last transaction aborted
```

#### Namespace Selection Processing

The procedure calls dns\$configure.com twice: first, to ensure that the system is configured with the Local namespace as primary, then to configure the system with the DECdns namespace as primary:

```
sys$manager:net$dns_clerk_startup.ncl changed to use the new default namespace.
Your default namespace nickname is LOCAL.
Your default namespace NSCTS is 08-00-2B-0D-C0-9D-5F-FA-A9-88-43-46-95-00.
sys$manager:net$dns_clerk_startup.ncl changed to use the new default namespace.
Your default namespace nickname is HP.
Your default namespace NSCTS is 00-00-F8-25-5A-72-D1-9D-2D-09-04-3C-A3-00.
```

#### Namespace Configuration Processing

Based on the answers provided during configuration dialog processing, the configuration procedure executes the new name service searchpath NCL script, renames the node, modifies the Local namespace entry, flushes the CDI cache, updates the node's address towers, and updates the backtranslation softlink for the node:

```
%NET$CONFIGURE-I-NODERENAMED, node successfully renamed to HP:.ASHFLD
Directory Service: Local name file
Modifying the node: LOCAL:.ASHFLD
Modifying the node towers

%NET$CONFIGURE-I-FLUSHCACHE, flushing selected cache entries
%NET$CONFIGURE-I-CHECKPOINTWAIT, waiting for CDI to write the node name
to the CDI cache file
%NET$CONFIGURE-I-CHECKPOINTDONE, the node name has been written to
SYSS$SYSTEM:DECNET$CDI_CACHE.DAT
%NET$CONFIGURE-I-TOWERSUPDATED, updated address towers for node
%NET$CONFIGURE-E-BCKTRNUPDATED, updated backtranslation softlink for node
```

## Modifying a Current Configuration

### 7.6 Changing the Node Name/namespace Name

The procedure then displays the configuration summary, recalculates the NCL script file checksums, and redisplay the main options menu:

```
Summary of Configuration
Node Information:

Node Type:                ENDNODE
Directory Services Chosen:  DECDNS
Primary Directory Service:  DECDNS
DECdns Full name:         HP:.ASHFLD
DECdns Node Type:         Server
Node Synonym:             ASHFLD
Phase IV Address:         24.121
Phase IV Prefix:          49::
Autoconfiguration of Network Addresses:  Enabled
Session Control Address Update Interval:  10
Routing ESHello Timer:    600
Routing ES Cache Size:    512
.
.
.
%NET$CONFIGURE-I-MODCHECKSUM, checksumming NCL management scripts modified
by NET$CONFIGURE
%NET$CONFIGURE-I-CONFIGCOMPLETED, DECnet-Plus for OpenVMS configuration
completed

Configuration Options for Node ASHFLD

[0]   Exit this procedure
[1]   Perform an entire configuration
[2]   Change naming information
```

#### 7.6.8 Using the DECdns Namespace as Secondary on a DECdns Server System

This section describes how to configure a DECdns server to run with the primary directory service set to a namespace other than DECdns.

##### Configuration Dialog Processing

The following example shows the first portion of the dialog used to change the node from using DECdns as the primary directory service to using the Local namespace as the primary directory service (DOMAIN as primary is virtually identical):

```
* Which configuration option to perform?                [1] : 2
* Enter the directory services to use on the system [DECDNS,LOCAL] : local,decdns
```

At this point, the configuration procedure displays a message indicating that HP strongly recommends using DECdns as the primary directory service on DECdns servers:

```
Hewlett-Packard recommends that you specify DECdns as the
primary naming service on a DECdns server, but the list of
directory services you entered does not start with DECdns.
```

```
Answer NO to the following question if you want to ignore this
recommendation and proceed using the list of directory services
you just entered.
```

```
If you take the default, you will be prompted to re-enter your
list of directory services so that you may enter DECdns as the
first service in that list.
```

```
Do you want DECdns as the primary naming service on this DECdns server? [YES]:
```



## Modifying a Current Configuration

### 7.6 Changing the Node Name/namespace Name

If you answer YES, the procedure again prompts you for the directory services list. If you answer NO, your original order is accepted and the dialog continues:

- \* Enter the full name for directory service LOCAL [LOCAL:.ASHFLD] :
- \* Enter the full name for directory service DECDNS [HP:.ASHFLD]:

Because you have specified a DECDns name on a system that is already configured as a DECDns server, the procedure checks the server's clearinghouses to make sure that you are specifying a namespace already served by this system:

```
NET$CONFIGURE is searching for pre-existing clearinghouses
on this DNS Server.
```

```
Clearinghouse: HP:.HP_CH
```

The net\$configure procedure does not support creation of more than one namespace on a system. If it cannot find a clearinghouse for the namespace you entered, it displays the following message:

```
There is no clearinghouse on this DNS Server for the namespace
you specified in your DECDns fullname. To proceed with this rename,
you may now provide a different DECDns fullname -- one that is
in a namespace displayed above.
```

```
If you wish to use a namespace or clearinghouse name not
previously known to this DNS Server, then this rename cannot
proceed until you have manually ensured that the existing
clearinghouse has been deleted.
```

- \* Do you want to provide a different DECDns fullname? [YES]:

If you answer YES, the procedure returns to the DECDns fullname prompt and, after entering a DECDns full name using the proper namespace, configuration dialog processing continues:

- \* Enter the full name for directory service DECDNS [HP:.ASHFLD]:
- \* What is the synonym name for this node? [ASHFLD] :
- \* Naming cache timeout value? [30-00:00:00] :
- \* Session Control Address Update Interval ? [10] :
- \* Naming cache checkpoint interval? [08:00:00] :

If you answer NO, the procedure displays the following message and aborts the rename operation:

```
Please refer to Section 9.6 of DECnet-Plus DECDns Management manual,
for instructions on Deleting a Clearinghouse before invoking
NET$CONFIGURE again to rename this DNS Server.
```

```
%NET$CONFIGURE-I-LASTTRANSABORT, last transaction aborted
```

#### Namespace Selection Processing

If you choose to configure the DECDns name service as a secondary service, the configuration procedure modifies the DECDns namespace on the system to allow access by the renamed server. It does this by adding access for the LOCAL or DOMAIN namespace based on which namespace is primary. The procedure displays the following message:

```
NET$CONFIGURE is searching for pre-existing clearinghouses
on this DNS Server in order to set up access control.
```

The procedure then calls the dns\$configure.com procedure to configure the DECDns clerk for the new primary namespace:



## Modifying a Current Configuration

### 7.6 Changing the Node Name/namespace Name

sys\$manager:net\$dns\_clerk\_startup.ncl changed to use the new default namespace.

Your default namespace nickname is LOCAL.

Your default namespace NSCTS is 08-00-2B-0D-C0-9D-5F-FA-A9-88-43-46-95-00

**If the net\$configure procedure is not successful in setting the new access information, it displays the following message and aborts the transaction:**

```
ERROR: NET$CONFIGURE did not succeed in setting up access
control for pre-existing clearinghouses on this DNS Server.
```

```
%NET$CONFIGURE-I-LASTTRANSABORT, last transaction aborted
```

```
Configuration Options for Node ASHFLD
```

```
[0]    Exit this procedure
[1]    Perform an entire configuration
[2]    Change naming information
```

```
.
.
.
```

#### Namespace Configuration Processing

Based on the answers provided during configuration dialog processing, the configuration procedure executes the new name searchpath NCL script, modifies the Local namespace entry, renames the node, and flushes the cache:

```
Directory Service: Local name file
```

```
Modifying the node: LOCAL:.ASHFLD
```

```
Modifying the node towers
```

```
%NET$CONFIGURE-I-NODERENAMED, node successfully renamed to LOCAL:.ASHFLD
```

```
%NET$CONFIGURE-I-FLUSHCACHE, flushing selected cache entries
```

**The procedure then displays the configuration summary, recalculates the NCL script file checksums, and redisplay the main options menu:**

```
Summary of Configuration
```

```
Node Information:
```

```
Directory Services Chosen:    LOCAL,DECDNS
Primary Directory Service:    LOCAL
DECdns Full name:             HP:.ASHFLD
Local Full name:              LOCAL:.ASHFLD
Node Synonym:                 ASHFLD
Phase IV Address:             24.900
Phase IV Prefix:              49::
DECdns Node Type:             Server
Session Control Address Update Interval:    10
Routing Node Type:            ENDNODE
Autoconfiguration of Network Addresses: Enabled
Routing ESHello Timer:        600
Routing ES Cache Size:        512
```

```
.
.
.
```

```
%NET$CONFIGURE-I-MODCHECKSUM, checksumming NCL management scripts modified
by NET$CONFIGURE
```

```
%NET$CONFIGURE-I-CONFIGCOMPLETED, DECnet-Plus for OpenVMS configuration
completed
```

```
Configuration Options for Node ASHFLD
```

```
[0]    Exit this procedure
```

## Modifying a Current Configuration

### 7.6 Changing the Node Name/namespace Name

```
[1] Perform an entire configuration
[2] Change naming information
.
.
.
```

#### 7.6.9 Configuring a DECdns Server System into an Existing Namespace

To configure additional DECdns servers into an existing namespace, you must use the DECdns configuration program, `sys$system:dns$configure.exe`. Be sure to refer to the *HP DECnet-Plus for OpenVMS DECdns Management* manual for DECdns access control information and for complete information about using the DECdns configuration program to configure a DECdns server into an existing namespace.

##### 7.6.9.1 Configuring a DECdns Server in a DNS Version 1 Namespace

If you are already using a DNS Version 1 namespace (a namespace created with Version 1 of the Distributed Name Service), you can configure one or more DECdns Version 2 servers into that namespace. Before you try to configure a DECdns server into a DNS Version 1 namespace, make sure that the namespace has been prepared for use by DECnet-Plus (see Section B.3). For complete information on how to prepare a DNS Version 1 namespace for use by DECnet-Plus, refer to the *HP DECnet-Plus for OpenVMS DECdns Management* manual for DECdns access control information.

---

#### Note

---

The DECdns configuration program allows you to convert your DNS Version 1 clearinghouses to DECdns Version 2 format. By doing so, you get the improved performance offered by the DECdns Version 2 server while using your existing DNS Version 1 namespace. If you intend to convert your DNS Version 1 clearinghouses to DECdns Version 2 format, HP strongly recommends that you do *not* configure DECnet-Plus for OpenVMS on any of your DNS Version 1 server nodes until you have prepared your DNS Version 1 namespace for use by DECnet-Plus.

---

## 7.7 Configuring Devices

To configure devices, select option 3 from the main options menu:

```
* Which configuration option to perform?          [1] : 3
```

The dialog for a configuration modification is identical to the initial dialog. See Section 6.6 for the entire device dialog. As with the initial configuration dialog, if X.25 or WANDD components are found and have not been configured, the procedure gives you a chance to configure them.

Once you have completed the device dialog, the procedure displays a summary of the configuration and asks if you want to configure the new NCL scripts. Proceed to Section 7.17 for more information.

## 7.8 Configuring the NSP and OSI Transports

To configure the NSP transport, the OSI transport, or both transports, select option 4 from the main options menu:

\* Which configuration option to perform? [1] : 4

### **BASIC**

The BASIC option begins by asking if you want to configure the NSP transport:

\* Configure the NSP Transport? [YES] :

If you answer YES, the procedure displays the DEFAULT transport settings for the NSP transport and asks if you want to replace the existing transport values with the default values:

Since you are using the BASIC option, if you answer YES to the next question, the NSP transport will be reconfigured using the default values which are:

Maximum number of logical links:	200
Maximum Transmit and Receive Window:	20
Maximum Receive Buffers:	4000
Flow Control Policy:	Segment Flow Control

If you intend to customize the transports, then use the ADVANCED option instead.

\* Do you want to replace the existing NSP transport script? [NO] :

If you answer YES, the NSP transport is reconfigured with the default values shown in the display. If you answer NO, the NSP configuration is left unchanged.

Next, the procedure asks the same question for the OSI transport:

\* Configure the OSI Transport or run over TCP/IP? [YES] :

If you answer YES, the procedure displays the DEFAULT transport settings for the OSI transport and asks if you want to replace the existing transport values with the default values:

Since you are using the BASIC option, if you answer YES to the next question, the OSI transport will be reconfigured using the default values which are:

Maximum number of logical links:	200
Maximum Transmit and Receive Window:	20
Maximum Receive Buffers:	4000
OSI applications over TCP/IP:	Enabled
DECnet applications over TCP/IP:	Enabled

If you intend to customize the transports, then use the ADVANCED option instead.

\* Do you want to replace the existing OSI transport script? [NO] :

If you answer YES, the OSI transport is reconfigured with the default values shown in the display. If you answer NO, the OSI configuration is left unchanged.

Once you have completed the transport dialog, the procedure displays a summary of the configuration and asks if you want to configure the new NCL scripts. Proceed to Section 7.17 for more information.

## Modifying a Current Configuration

### 7.8 Configuring the NSP and OSI Transports

#### ADVANCED

The ADVANCED option begins by asking if you want to configure the NSP transport:

```
* Configure the NSP Transport? [YES] :
```

If you answer YES, the procedure displays the CURRENT transport settings for the NSP transport and asks if you want to reconfigure the existing transport values:

```
Answer YES to the next question if you wish to
change the current NSP transport configuration:
```

```
Maximum number of logical links:      200
Maximum Transmit and Receive Window:  20
Maximum Receive Buffers:              4000
Flow Control Policy:                  Segment Flow Control
```

```
* Do you want to replace the existing NSP transport script? [NO] :
```

If you answer YES, you are prompted for the new values. If you answer NO, the NSP configuration is left unchanged.

Next, the procedure asks the same question for the OSI transport:

```
* Configure the OSI Transport or run over TCP/IP? [YES] :
```

If you answer YES, the procedure displays the CURRENT transport settings for the OSI transport and asks if you want to reconfigure the existing transport values:

```
Answer YES to the next question if you wish to
change the current NSP transport configuration:
```

```
Maximum number of logical links:      200
Maximum Transmit and Receive Window:  20
Maximum Receive Buffers:              4000
OSI applications over TCP/IP:         Enabled
DECnet applications over TCP/IP:      Enabled
```

```
* Do you want to replace the existing OSI transport script? [NO] :
```

If you answer YES, you are prompted for the new values. If you answer NO, the OSI configuration is left unchanged.

With the exception of the additional dialog shown here, the questions asked during a reconfiguration are identical to the initial configuration questions, including the section used to create additional OSI templates. If you elect to reconfigure either or both transports, see Section 6.7 for the prompts used in this section and for information about how to respond to the prompts. Note that the ADVANCED option of the reconfiguration dialog omits the opening message shown at the beginning of Section 6.7.

---

#### Warning

---

If you select this option and then indicate that you don't want to configure either transport, the procedure issues a warning and asks you to confirm your decision:

```
%NET$CONFIGURE-W-NOTTRANSPORTS, no transports selected
* Are you sure? [NO] : y
```

If you answer YES, all transport configuration information is lost. The configuration procedure creates empty NCL startup script files for

## Modifying a Current Configuration

### 7.8 Configuring the NSP and OSI Transports

both transports. To create a usable configuration, you must run the configuration procedure again to create valid transport scripts.

---

Once you have completed the transport dialog, the procedure displays a summary of the configuration and asks if you want to configure the new NCL scripts. Proceed to Section 7.17 for more information.

## 7.9 Configuring the Time Zone Differential Factor (DECdts)

To configure DECdts, select option 5 from the main options menu:

```
* Which configuration option to perform?          [1] : 5
```

### 7.9.1 DECdts Overview

DECdts binary time values are based on Coordinated Universal Time (UTC), an international time standard that has largely replaced Greenwich Mean Time (GMT) as a reference. For most measurement purposes, UTC is the equivalent of GMT. Time zones are still determined by their relationship to the prime meridian in Greenwich, England. The local time in each time zone or locale is determined by its offset, or differential, from the Greenwich time zone. This value is commonly expressed as a time differential factor (TDF) of a positive or negative number of hours.

When you initially configure an OpenVMS system, you must determine its geographical location and designate its time zone rule (TZR), which is based on the location. The TZR contains the abbreviated name of the system's time zone and the applicable TDF, so that DECdts can calculate UTC from the system (local) time during the initial configuration of the DECdts software. The TZR also contains information on any seasonal adjustments to the TDF that normally apply in the selected time zone.

If you want to select the commonly accepted TZR for a given area and system, you can use the `net$configure` procedure menus to select the geographical location of the system. Based on your selection, the `net$configure` procedure automatically sets the TZR. After you configure your system, it displays the local time even though the DECdts software uses UTC in the background. Because the default value of the DECdts management attribute Automatic TDF Change is set to TRUE, DECdts also changes the displayed local time automatically if there is a seasonal adjustment to the system's TDF.

Additionally, when you reconfigure the DECdts software, you are given the option of setting the system's time to UTC time.

The following resources provide additional information about time management and use on OpenVMS systems:

- *HP DECnet-Plus for OpenVMS DECdts Management* — discusses what DECdts is and how it works, managing DECdts, troubleshooting DECdts, and provides a command reference for all commands used to manage DECdts.
- *HP OpenVMS System Manager's Utility Guide* ("Setting System Time" chapter) — discusses how time is managed on OpenVMS systems that do not use DECdts. Much of the information about how to configure DECdts is common to DECdts and OpenVMS and is documented in this manual. Specifically, this chapter discusses using the `utc$time_setup` command procedure to set your system's time zone information. This procedure is used by the DECdts time zone configuration procedure.

## Modifying a Current Configuration

### 7.9 Configuring the Time Zone Differential Factor (DECdts)

- *Compaq C Run-Time Library Utilities Reference Manual* (the “Creating Time Zone Conversion Information” section in the “Overview” chapter) — discusses using the Zone Information Compiler (ZIC) to create the binary time zone files required by OpenVMS and DECdts.
- *HP C Run-Time Library Reference Manual for OpenVMS Systems* (“Date/Time Functions” chapter and `tzset` function description in the “Reference Section”) — describes how C programs can make use of the date and time functions in the C run-time library. The `tzset` function description is useful in understanding the syntax used in the `SYS$TIMEZONE_RULE` logical name.

#### 7.9.2 Selecting the DECdts Configuration Option

After you invoke option 5, the `net$configure` procedure invokes the `dtss$config` procedure. The `dtss$config` procedure begins by displaying messages indicating that it is deassigning the four current `SYS$TIMEZONE_xxx` logical names and shutting down DECdts (the "Node 0 DTSS" messages come from the NCL commands used by the procedure):

```
DTSS$CONFIG-I-LOGS Deassigning system timezone logicals
DTSS$CONFIG-I-STOPDTS Deleting the DTSS Entity
Node 0 DTSS
at 1995-08-04-18:36:19.740+00:00Iinf
Node 0 DTSS
at 1995-08-04-18:36:23.960+00:00Iinf
```

The `dtss$config` procedure then invokes the `dtss$install_timezone_rule` procedure. This procedure is also invoked during the initial system configuration. However, during initial configuration the procedure usually gets the time zone rule from the `SYS$LOCALTIME` system logical name so no menu is displayed. In a reconfiguration, the procedure is called with a parameter that forces it to override the `SYS$LOCALTIME` system logical name and display an options menu:

```
Timezone Options:
[0] Exit Timezone Configuration
[1] Choose a timezone using menus
[2] Use Universal Coordinated Time (UTC)
[3] Define your own timezone rule
* Enter an option number [1] :
```

The following sections explain each of the DECdts menu options.

---

#### Note

---

Changes made to DECdts take effect immediately.

---

#### 7.9.3 Choosing a Time Zone Using Menus

Option 1 of the Timezone Options menu invokes the OpenVMS `sys$manager:utc$time_setup` procedure to allow you to choose the time zone rule for the system by using a hierarchy of geographically-based menus. DECdts uses the time zone you select to determine the time zone rule it should use to automatically convert UTC to the local time whenever the time is displayed.

## Modifying a Current Configuration

### 7.9 Configuring the Time Zone Differential Factor (DECdts)

To specify a time zone rule by choosing your geographical region, select option 1 from the timezone options menu:

\* Enter an option number [1] :

The procedure displays a menu of continental regions:

Configuring the Local Time Zone

```
TIME_ZONE_SPECIFICATION -- MAIN Time Zone Menu          "*" indicates a menu
0* GMT
1* AFRICA          17) EST          33) IRAN          49) PORTUGAL
2* AMERICA        18) EST5EDT       34) ISRAEL       50) PRC
3* ANTARCTICA    19* ETC          35) JAMAICA      51) PST8PDT
4* ARCTIC        20* EUROPE       36) JAPAN        52) ROC
5* ASIA          21) FACTORY      37) KWAJALEIN   53) ROK
6* ATLANTIC      22) GB-EIRE      38) LIBYA        54) SINGAPORE
7* AUSTRALIA     23) GB           39) MET          55* SYSTEMV
8* BRAZIL        24) GMT-0        40* MEXICO       56) TURKEY
9* CANADA        25) GMT          41* MIDEAST      57) UCT
10) CET          26) GMT0         42) MST          58) UNIVERSAL
11* CHILE        27) GMTPLUS0    43) MST7MDT     59* US
12) CST6CDT     28) GREENWICH   44) NAVAJO       60) UTC
13) CUBA        29) HONGKONG    45) NZ-CHAT     61) W-SU
14) EET         30) HST         46) NZ           62) WET
15) EGYPT       31) ICELAND     47* PACIFIC     63) ZULU
16) EIRE        32* INDIAN      48) POLAND
```

Press "Return" to redisplay, enter "=" to search or "?" for help, or  
Select the number above that best represents the desired time zone: 59

```
US Time Zone Menu          "*" indicates a menu
0* RETURN TO MAIN TIME_ZONE_MENU
1) ALASKA          5) EAST-INDIANA  9) MICHIGAN      13) SAMOA
2) ALEUTIAN       6) EASTERN      10) MOUNTAIN
3) ARIZONA        7) HAWAII      11) PACIFIC-NEW
4) CENTRAL        8) INDIANA-STARKE 12) PACIFIC
```

Press "Return" to redisplay, enter "=" to search or "?" for help, or  
Select the number above that best represents the desired time zone: 6

You selected US / EASTERN as your time zone.

Is this correct? (Yes/No) [YES]:

Enter the option (and, if necessary, the suboption) corresponding to the region where the system resides. In the example, the system is in the eastern United States. After you make a selection, the following actions occur:

1. The `utc$time_setup` procedure sets the `SYS$LOCALTIME` system logical name and returns control to the `dtss$install_timezone_rule` procedure.
2. Using the value in the `SYS$LOCALTIME` system logical name, the `dtss$install_timezone_rule` procedure creates the `dtss$utc_startup.com` procedure. This procedure defines the four `SYS$TIMEZONE_xxx` system logical names. The procedure is invoked each time the system reboots. The `dtss$install_timezone_rule` procedure returns control to the `dtss$config` procedure.
3. The `dtss$config` procedure invokes the newly-created `dtss$utc_startup.com` procedure to define the four `SYS$TIMEZONE_xxx` system logical names on the running system.
4. The procedure then sets the local clock.
5. Next, it executes the `sys$startup:dtss$startup.com` file to start DECdts.



## Modifying a Current Configuration

### 7.9 Configuring the Time Zone Differential Factor (DECdts)

6. After the DTSS entity is created, it sets the automatic tdf change characteristic (after first disabling the DTSS entity).
7. It then deletes the DTSS entity.
8. Finally, it restarts DECdts.

These actions result in the following display:

```
DTSS$CONFIG-I-LOGS Defining system timezone logicals
DTSS-I-SETTDF DTSS$SERVICE set new timezone differential
DTSS$CONFIG-I-SETLCL Setting Local Clock
%RUN-S-PROC_ID, identification of created process is 00000059

Node 0 DTSS
at 1995-02-25-08:17:29.520-05:00Iinf

Node 0 DTSS
at 1995-02-25-08:17:30.790-05:00Iinf

Node 0 DTSS
at 1995-02-25-08:17:39.978-05:00I0.327

Node 0 DTSS
at 1995-02-25-08:17:45.868-05:00I0.328

Characteristics

    Automatic TDF Change = True

Node 0 DTSS
at 1995-02-25-08:17:51.898-05:00I0.328

DTSS$CONFIG-I-STARTDTS Restarting the DTSS Entity
%RUN-S-PROC_ID, identification of created process is 0000006B

Node 0 DTSS
at 1995-02-25-08:18:06.138-05:00Iinf

Node 0 DTSS
at 1995-02-25-08:18:07.488-05:00Iinf
```

---

#### Note

---

If you are running on the console, several OPCOM messages are displayed during this sequence displaying entity status changes and clock synchronization events.

---

This completes changes to the DECdts configuration using option 1. The net\$configure procedure returns to the main options menu.

#### 7.9.4 Using Universal Coordinated Time (UTC)

If your system is located in the GMT time zone or Antarctica, or if you do not want to make seasonal adjustments to the TDF, you may want to use UTC as your system's local time. You can also configure all network systems with UTC if you consider local time irrelevant for your applications. If you select UTC as the local time and later enter the NCL command show dtss current time, the local time displayed has a TDF of 0 (zero).

To use UTC as your system's local time, select option 2:

```
* Enter an option number [1] : 2
```

The subsequent actions are identical to those shown following the selection of a time zone in the previous section.



## Modifying a Current Configuration

### 7.9 Configuring the Time Zone Differential Factor (DECdts)

This completes changes to the DECdts configuration using option 2. The `net$configure` procedure returns to the main options menu.

#### 7.9.5 Defining Your Own Time Zone Rule

The `net$configure` procedure no longer allows you to create a customized time zone rule. To create a customized time zone rule, refer to the additional documentation resources referenced in Section 7.9.2. In particular, the *Compaq C Run-Time Library Utilities Reference Manual* discusses using the Zone Information Compiler (ZIC) to create new binary time zone files. Once you have created a new file and moved it to the appropriate place in the time zones directory, you can select the time zone in the same manner you would select any other time zone.

If you select option 3, the procedure displays a short description of the process used to create a custom time zone rule.

#### 7.10 Configuring the Event Dispatcher

To configure the Event Dispatcher, select option 6 from the main options menu:

```
* Which configuration option to perform?          [0] : 6
```

The procedure asks if you want to replace the existing event dispatcher NCL startup script:

```
%NETCONFIGURE-I-EVDFND, Event dispatcher NCL script already exists
* Replace Event Dispatcher NCL script file?      [NO] :
```

If you want to create a new Event Dispatcher NCL startup script file, answer YES. If you want to keep the previously generated Event Dispatcher NCL startup script file, answer NO.

##### **BASIC**

If you answered YES, the BASIC option informs you that the procedure automatically creates the default Event Dispatcher configuration for you:

```
%NET$CONFIGURE-I-EVDDEFAULT, providing default Event Dispatcher configuration
```

##### **ADVANCED**

If you answered YES, the ADVANCED option uses the same prompts used during the initial configuration. See Section 6.9 for the prompts used in this section and for information about how to respond to the prompts.

##### **BASIC and ADVANCED**

Once you have completed the Event Dispatcher dialog, the procedure displays a summary of the configuration and asks if you want to configure the new NCL startup scripts. Proceed to Section 7.17 for more information.

#### 7.11 Configuring the Application Database

When you configure the application database, you can either delete an existing application (including any of the default applications installed during the initial configuration), or you can include a new application.

To configure the application database, select option 7 from the main options menu:

```
* Which configuration option to perform?          [1] : 7
```

## Modifying a Current Configuration

### 7.11 Configuring the Application Database

The procedure begins by asking if you want to add or delete an application:

```
* Do you want to ADD or DELETE an Application?      [ADD] :
```

Answer ADD to create a new application entity on the local node, allocate resources for it, and open the service interface. Answer DELETE to delete an existing entity and reclaim associated resources.

Next, the procedure asks for the applications's name:

```
* What is the name of the Application?              : NOTES
```

If you are deleting an application, proceed to Section 7.11.1. If you are adding an application, proceed to Section 7.11.2.

Once you have completed the applications dialog, the procedure asks if you want to configure the new NCL startup scripts. Proceed to Section 7.18 for more information.

---

#### Note

---

Each invocation of option 7 adds or deletes one application. If you wish to add or delete multiple applications, invoke option 7 again.

---

#### 7.11.1 Deleting an Application

If you are deleting an application, the procedure displays the following prompt:

```
* Are you sure you want to DELETE this application? [NO]:
```

Answer YES if you want to delete the application. Answer NO if you want to keep the application. If you answer NO, the procedure informs you it has canceled the delete operation:

```
%NET$CONFIGURE-I-DELETECAN, delete operation canceled
```

#### 7.11.2 Adding an Application

If you are adding an application, the configuration procedure asks a series of questions to define the application:

1. To add an application, the procedure must create one or more addresses (also known as end-user specifications) for the application. Incoming connections provide the application's address in the destination name field of the connection request. Table 7-2 lists the supported types of end-user specifications (referred to in the dialog as destination types).

**Table 7-2 Application End-User Specification Types**

Type	Description
NAME	The local name of the application (for example, NOTES). The name must be 1 to 16 characters in length.

(continued on next page)

## Modifying a Current Configuration

### 7.11 Configuring the Application Database

**Table 7–2 (Cont.) Application End-User Specification Types**

Type	Description
NUMBER	The unique number assigned to the application. Application numbers must be in the range of 1 to 255. Well-known applications such as MAIL and FAL have application numbers that are recognized throughout the network. See Table 7–3 for application number preassigned or reserved by HP. User-defined images can have unique object numbers; numbers between 128 and 255 are reserved for this purpose. In Phase IV terms, the application number was known as the application's object number.
FULLNAME	The DECdns full name assigned to the application (for example, IAF:.SALES.BOSTON.APP3). The full name must be 1 to 512 characters in length and in the format <i>NamespaceNickname:[.DirectoryPath].NodeObject</i> .

Table 7–3 lists the application numbers used or reserved by HP.

**Table 7–3 Application Numbers**

Number	Mnemonic	Description
0	Task	User program
1–16		Reserved for HP use
17	FAL	File access listener for remote file and record access
18	HLD	Host loader for RSX-11S downline task loading requests
19	CML	CMIP Management Listener object
20		RSTS/E media transfer program (NETCPY)
21–22		Reserved for HP use
23	REMACP	Network terminal handler (host side)
24		Network terminal handler (terminal side)
25	MIRROR	Loopback mirror
26	EVL	Event receiver
27	MAIL	OpenVMS Mail utility
28		Reserved for HP use
29	PHONE	OpenVMS Phone utility and RSX-11M/M-PLUS Phone utility
30		Reserved for HP use
31		X.25 Server
32–35		Reserved for HP use
36		X.25 Client
37–41		Reserved for HP use
42	CTERM	Network terminal handler
43		Reserved for HP use
44	DNSCLERK	Used by DNS Server to receive connects from DNS clerks
45	DNSCLERK	Used by DNS Server to receive connects from DNS servers

(continued on next page)

## Modifying a Current Configuration

### 7.11 Configuring the Application Database

**Table 7–3 (Cont.) Application Numbers**

Number	Mnemonic	Description
46–62		Reserved for HP use
63	DTR	DECnet Test Receiver object
64–85		Reserved for HP use
86		Used by DNS\$ADVER for remote-to-local cache transfers
87–127		Reserved for HP use
128–255		Reserved for customer use

The procedure begins by asking you for the application's destination type:

```
* What is the destination type for 'notes'?           [NAME] :
```

Select NAME, NUMBER, FULLNAME, or UIC. The NOTES application is a well-known application with an HP-reserved application number. Therefore, enter NUMBER.

Next, based on the value you entered for the destination type, the procedure asks you for the required value for that destination type:

```
* What is the destination destination-type for 'notes'?           :
```

Enter the appropriate value based on the destination type you entered.

You have the option of specifying multiple addresses for an application. The procedure asks if you want to assign another address to this application:

```
* Do you want to specify another application address?   [NO] :
```

If the application has more than one application address, enter YES and the previous prompts are repeated.

- The client name specifies the name of the local entity that you want activated upon receipt of the connect request containing a destination name matching one of the destination values you specified in Step 1.

```
* What is the name of the Client for 'notes'?           :
```

- The image name specifies the file name of the program you want invoked upon receipt of a Connect Request containing a destination name matching one of the destination values you specified in Step 1.

```
* What is the Image name for 'notes'?                   :sys$system:notes$server.exe
```

Specify the full file name of the application's image.

- The answer to the following question specifies whether or not the application should respond to incoming connect requests directed to the alias node address. FALSE indicates that the application should not accept incoming connect requests that have been directed to the alias node address. TRUE indicates that the application should accept such requests.

```
* Incoming Alias for 'notes' enabled?                 [TRUE] :
```

Specify TRUE or FALSE.

## Modifying a Current Configuration

### 7.11 Configuring the Application Database

5. The answer to the following question specifies whether or not incoming proxy requests for the application are honored. FALSE indicates that incoming proxy requests for the application are ignored. TRUE indicates that incoming proxy requests are allowed. This value overrides the global Session Control value.

\* Incoming Proxy for 'notes' enabled? [TRUE] :

Specify TRUE or FALSE.

6. The answer to the following question specifies whether or not the application should use the alias node address in its outgoing connect requests. FALSE indicates that the application should not use the alias node address in its outgoing connect requests. TRUE indicates that the application should use the alias node address.

\* Outgoing Alias for 'notes' enabled? [TRUE] :

Specify TRUE or FALSE.

7. The answer to the following question specifies whether or not the application should use a proxy by default if the application does indicate whether to use a proxy. FALSE indicates that, by default, this application does not use an outgoing proxy. TRUE indicates that, by default, this application uses an outgoing proxy.

\* Outgoing Proxy for 'notes' enabled? [TRUE] :

Specify TRUE or FALSE.

8. The answer to the following question specifies whether or not the remote node name is passed to the application in synonym form. If a synonym is not available, the full name is always used. FALSE indicates that the full name is passed to the application. TRUE indicates that the node synonym, if available, is passed to the application.

\* Require node synonym for 'notes' enabled? [TRUE] :

Specify TRUE or FALSE.

9. The OSI TSEL is used for applications that do not use the DNA Session Control protocol. The TSEL is roughly equivalent to a DNA Session Control address. The TSEL must be a hexadecimal number of 2 to 64 digits and must contain an even number of digits.

\* What is the Incoming OSI TSEL for 'notes'? :

---

#### Note

---

This function is currently not implemented. Press Return to continue to the next prompt.

---

10. You have the option of creating an OpenVMS account under which the application should run. To create the account, begin by entering the user name that you want to use when creating the account. If you do *not* want to create an account for the application, you can either enter NONE and press Return, or press the space bar and press Return.

\* What is the User Name for 'notes'? [NOTES\$SERVER] :

## Modifying a Current Configuration

### 7.11 Configuring the Application Database

If you decide to create an account for the application (by providing an account name in the previous question), you must provide a UIC for the account and assign any rights identifiers associated with the account. Answer the following two questions to enter the UIC and any rights identifiers for the application:

```
* What UIC should 'notes' use?          [[200,200]] : [376,377]
* Rights identifiers for 'NOTES$SERVER'? :net$examine,
  net$declareobject,net$decretaccess
```

If there are two or more rights identifiers, separate them with commas.

If you have entered account information in the previous three questions, the procedure then creates the account for the application and displays the following message:

```
%NET$CONFIGURE-I-MAKEACCOUNT, this procedure creates user account NOTES$SERVER
```

### 7.12 Configuring the MOP Client Database

To configure the MOP client database, select option 8 from the main options menu:

```
* Which configuration option to perform?          [1] : 8
```

The procedure begins by asking if you want to add or delete a MOP client:

```
* Do you want to ADD or DELETE a MOP Client?     [ADD] :
```

Answer ADD to create a new MOP client entity on the local node, allocate resources for it, and open the service interface. Answer DELETE to delete an existing entity and reclaim associated resources.

Next, the procedure asks for the MOP client's name:

```
* Name of the MOP Client?                        : SUPERX
```

Specify the simple name of the client (for example, SUPERX).

If you are deleting a MOP client, proceed to Section 7.12.1. If you are adding a MOP client, proceed to Section 7.12.2.

Once you have completed the MOP client dialog, the procedure asks if you want to configure the new NCL startup scripts. Proceed to Section 7.18 for more information.

---

#### Note

---

Each invocation of option 8 adds or deletes one MOP client. If you wish to add or delete multiple MOP clients, invoke option 8 again.

---

#### 7.12.1 Deleting a MOP Client

If you want to delete a MOP client, the procedure displays the following prompt:

```
* Are you sure you want to DELETE this client?   :
```

Answer YES if you want to delete the MOP client. Answer NO if you want to keep the MOP client. If you answer NO, the procedure informs you it has canceled the delete operation:

```
%NET$CONFIGURE-I-DELETECAN, delete operation canceled
```

## Modifying a Current Configuration

### 7.12 Configuring the MOP Client Database

#### 7.12.2 Adding a MOP Client

If you are adding a MOP client, the configuration procedure asks a series of questions to define the MOP client:

1. The procedure begins by asking you for the MOP circuit to be used for all operations involving the client:

```
* Circuit for 'superx'? :
```

Specify a MOP circuit name.

2. For LAN circuits, you must also specify a set of LAN addresses for this client:

```
* Physical addresses for 'superx'? :
```

Specify a set of LAN addresses separated by commas.

3. The next three questions describe the files that are loaded onto the MOP client system during a downline load operation. The primary loader is assumed to be the resident code on the system that activates the client's network interface and prepares the system for downline loaded software. Depending on the system, you may need to specify a secondary loader and a tertiary loader that are loaded before the system image. All file specifications are complete file specifications for files on the local node.

```
* Secondary Loader for 'superx'? :  
* Tertiary Loader for 'superx'? :  
* System Image for 'superx'? :
```

Specify the files you want loaded when the client requests the various images. If necessary, you can specify multiple files for each question.

4. In addition to the system image file and its associated secondary and tertiary loaders, MOP has the capability to respond to downline load requests for special system images used for diagnostics and system management. System management images can take the form of system-specific management files or CMIP script files containing network management commands in CMIP form. All file specifications are complete file specifications for files on the local node.

```
* Diagnostic Image for 'superx'? :  
* Management Image for 'superx'? :  
* Script File for 'superx'? :
```

Specify the files you want loaded when the client requests diagnostic and management images. If necessary, you can specify multiple files for each question.

5. The next two questions control upline dump actions involving the client system. You can specify the file on the local system used to contain the upline dump and the memory address in the client system at which to begin the dump operation.

```
* Dump File for 'superx'? :  
* Dump Address for 'superx'? [0] :
```

Specify the dump file and the starting address.

6. You can specify a verification string you want sent in a boot message to the specified client:

```
* Verification for 'superx'? [%X0000000000000000] :
```



## Modifying a Current Configuration

### 7.12 Configuring the MOP Client Database

7. The next four questions define Phase IV information that is passed to the client in a downline load operation. Some client software needs this information. You can specify the Phase IV client address and name and the Phase IV host address and name. The client information defines the client's own Phase IV identity; the host information identifies the client's load host Phase IV identity.

```
* Phase IV Client Address (aa.nnn) for 'superx'?           :
* Phase IV Client Name for 'superx'?                       [] :
* Phase IV Host Address for 'superx'?                       :
* Phase IV Host Name for 'superx'?                          [] :
```

Specify the Phase IV information appropriate for the software being loaded on the client system.

### 7.13 Configuring a Cluster Alias

To configure a cluster alias, select option 9 from the main options menu:

```
* Which configuration option to perform?                  [1] : 9
```

The procedure begins by asking if you want to add or delete an alias:

```
* Do you want to ADD or DELETE an alias?                  [ADD] :
```

Answer ADD to create an alias on the local node; answer DELETE to delete an existing alias.

Next, the procedure asks for the full name of the alias:

```
* Full name of Cluster Alias                               :
```

Specify the full name of the alias (for example, IAF:.sales.boston).

If you are deleting an alias, proceed to Section 7.13.1. If you are adding an alias, proceed to Section 7.13.2.

Once you have completed the alias dialog, the procedure displays a summary of the configuration and asks if you want to configure the new NCL startup scripts. Proceed to Section 7.17 for more information.

#### 7.13.1 Deleting an Alias

If you are removing a node from the specified alias, the procedure displays the following prompt:

```
* Are you sure you want to DELETE this alias?             [NO]:
```

Answer YES if you want to remove the system from this alias. Answer NO if you want the system to remain a member of this alias. If you answer NO, the procedure informs you it has canceled the delete operation:

```
%NET$CONFIGURE-I-DELETECAN, delete operation canceled
```

#### 7.13.2 Adding an Alias

If you are adding a node to a cluster alias, the dialog for a configuration modification is identical to the initial dialog. See Section 6.12 for the entire alias dialog.



## 7.14 Replacing a MOP Client Configuration

To replace a MOP Client Configuration, select option 10 from the main options menu:

```
* Which configuration option to perform?                [1] : 10
```

---

**Warning**

---

Using this option deletes the existing MOP client NCL startup script file. In the initial configuration, this file contains two NCL commands: one to create MOP and one to enable MOP. If you have modified the initial configuration by using option 8 to add MOP client definitions, these definitions exist in the MOP Client NCL startup script file. Therefore, choosing to replace the existing MOP client file deletes all the MOP client information you added by using option 8.

For information about how you can create a MOP client database not subject to this deletion, see Section 7.20.1.

---

By default, MOP is not started by net\$startup. To make this system service MOP requests, the NET\$STARTUP\_MOP logical name must be defined to signal net\$startup to load the MOP software. This symbol is normally defined in sys\$startup:net\$logicals.com. Based on your input, the procedure modifies net\$logicals.com by adding or removing the definition of the NET\$STARTUP\_MOP logical name. This section of the procedure also generates a short NCL startup script file containing the NCL commands to create and enable the MOP entity.

The procedure asks if you want MOP loaded:

```
* Load MOP on this system?                            [YES] :
```

Answer YES to enable MOP service on this system. Answer NO to disable MOP service on this system. Note that your answer will have no effect if the NET\$STARTUP\_MOP logical name is defined elsewhere.

Regardless of your answer, the procedure displays the following message and asks if you want to replace the MOP client NCL startup script file:

```
%NET$CONFIGURE-I-MOPCLIENTFND, MOP client NCL script already exists
```

```
* Replace MOP Client script file?                    [NO] : yes
```

Answer YES to create a new MOP Client NCL startup script file, otherwise press Return.

Once you have completed the MOP dialog, the procedure displays a summary of the configuration and asks if you want to configure the new NCL startup scripts. Proceed to Section 7.17 for more information.

## Modifying a Current Configuration

### 7.15 Configuring Satellite Nodes

## 7.15 Configuring Satellite Nodes

This section of the dialog allows you to configure satellite nodes that are members of your system's OpenVMS Cluster. Before using this feature, you must first fully configure the system on which you are now running the `net$configure` procedure.

---

#### Caution

---

If your cluster is running mixed versions of DECnet-Plus, you cannot use this feature. Instead, you must configure the nodes independently by running `net$configure` on each system.

---

#### BASIC

This option is not available when using the BASIC option.

#### ADVANCED

To configure satellite nodes, select option 11 from the main options menu:

```
* Which configuration option to perform?           [1] : 11
```

The procedure displays a submenu:

```
Configuration Options:
[0]   Return to main menu
[1]   Autoconfigure Phase IV cluster nodes
[2]   Configure cluster node scripts
[3]   Configure local node
```

```
* Which configuration option to perform?           [1] :
```

Table 7-4 gives a brief description of the satellite configuration options.

**Table 7-4 Satellite Configuration Options**

Option	Description
1	<b>Autoconfigure Phase IV cluster nodes</b> — Use this option to perform the initial configuration of a Phase IV cluster member. This option can be used only for cluster members that have not yet been configured (either by using this option or by running <code>net\$configure</code> directly on the cluster member).
2	<b>Configure cluster node scripts</b> — Use this option to set up the configuration utility to reference a satellite node in all future configuration tasks. You can use this option to further refine the configuration automatically created by option 1.
3	<b>Configure local node</b> — Use this option to delete the satellite selection made in option 2 and return to configuring the local node in all future configuration tasks.

### 7.15.1 Autoconfiguring Phase IV Cluster Nodes

To autoconfigure a Phase IV cluster member, select option 1 from the satellite options menu:

```
* Which configuration option to perform?           [1] : 1
```

If you select this option, the procedure creates a short command file that invokes `net$configure` with the parameters necessary to complete the initial configuration. This command file is invoked the next time that the satellite system is rebooted. Most of the parameters are derived from the defaults within the `net$configure` procedure. However, you must supply a small number of parameters directly.

1. The procedure begins by asking you to enter the full name of a cluster alias in which you want the cluster member to participate:

```
* Fullname of cluster alias:                       :
```

Supply the full node name of the cluster alias. If none is supplied, no cluster alias is configured for the systems being upgraded.

2. If you entered a cluster alias name in the previous question, the next two prompts ask for the address and selection weight for the alias:

```
* Cluster Alias Phase IV Address (aa.nnnn OR AA-00-04-00-xx-xx) :  
* Selection weight for this cluster node [0 for satellites]      :
```

Enter a Phase IV address or a MAC address. For more information about these two questions, see the alias dialog in Section 6.12.

3. To configure the cluster satellite systems, the configuration procedure needs to know the system root directories from which the satellites boot. Normally, the system root directories are on `sys$sysdevice`. The device given in response to this question is searched for all system roots. Those found that do not contain a Phase V checksum database are assumed to be Phase IV nodes and are candidates for autoconfiguration. Enter the device containing the system roots for cluster members:

```
* Device containing system roots                   [SYS$SYSDEVICE:] :
```

The procedure displays the following message as it scans the indicated system root device for system root directories:

```
Scanning SYS$SYSDEVICE: for Phase IV system root directories...
```

If it finds a directory it does some additional checking to verify that it has found a valid system root directory. If the directory is valid, it uses the member's `modparams.dat` file to obtain the default values for some of the following questions. If no roots are found on the device supplied (or if all the roots found have already been autoconfigured), the procedure asks if it should scan any additional devices for system roots:

```
* Are there any more disk devices containing system roots? [NO] :
```

Answer YES if any additional devices contain system root directories. Answer NO to return to the satellite configuration menu.

- a. If a system root is found and the system has not been autoconfigured (that is, does not contain a DECnet-Plus checksum database), the procedure asks if you want to upgrade the cluster member:

```
* Upgrade Phase IV cluster member FASTER?         [Yes] :
```

## Modifying a Current Configuration

### 7.15 Configuring Satellite Nodes

If you answer YES, `net$configure` creates the file `sys$specific:[sys$startup]net$autoconfigure.com`. If this file is present when the cluster member reboots, it causes the cluster member to automatically run `net$configure` using the information you supply in this section. Answer NO if you do not want the system autoconfigured.

If the procedure finds a root that contains a `net$autoconfigure.com` file but has not yet been configured, it precedes the upgrade question with a message indicating that you have already created the autoconfiguration file:

```
%NET$CONFIGURE-I-ALREADYMARKED, FASTER is already marked for upgrade
```

- b. In you answered YES to the upgrade question, the procedure needs to complete the information required for the `net$autoconfigure.com` file. The procedure asks you for the node's full name. The full name can be a name in the Local, DECdns, or Domain name service. See Section 6.4.1 and Section 6.4.2 for more information about name services and full names.

Enter the full name of the satellite node:

```
* Enter the full name [HP:.FASTER] :
```

Enter the node's full name. The nickname you use determines the name service. If you fail to provide the nickname (or namespace name if specifying a Local or Domain full name), the procedure informs you that you must enter the nickname:

```
NET$CONFIGURE-E-NONAMESPACE, namespace nickname required
```

- c. Next, enter the node synonym to use for the satellite:

```
* What is the synonym name for this system? [FASTER] :
```

Enter the node's synonym. See Section 6.4.3 for more information about node synonyms.

The procedure resumes the scan of the system root device. If any more system roots are found, the procedure repeats the previous three questions for each satellite system root found.

Once the procedure completes the scan of system roots on the device you indicated, it asks you if there are any other devices containing system roots:

```
* Are there any more disk devices containing system roots? [No] :
```

Answer YES if you wish to specify another device containing system roots. Answer NO if there are no more devices containing system roots.

---

#### Note

---

This dialog forces all satellites to join a common alias. If the cluster supports more than one alias you can select this option again and supply a different cluster alias. In this manner, you can configure some of the satellite nodes in one alias and other satellite nodes in a second alias.

---

After completing all requested autoconfigurations, the procedure returns to the satellite options menu.

### 7.15.2 Electing To Configure Cluster Node Scripts

Normally, the configuration procedure is used to configure the local node. You can use the procedure to modify satellite nodes that have already been configured (either by using option 1 and rebooting the satellite or by running `net$configure` directly on the node). This option allows you to direct the configuration procedure to perform all future operations on a satellite node instead of the local node. Note that not all configuration options are available when configuring a satellite node.

To direct the configuration procedure to perform all future operations on a satellite node, select option 2 from the satellite options menu:

```
* Which configuration option to perform?          [1] : 2
```

The procedure asks you for the name of the cluster member that you want to configure:

```
* Cluster node name to be configured:           : FASTER
```

Enter the simple name of the cluster member you want to configure.

---

**Note**

---

The `net$configure` procedure attempts to find the system root for that cluster member (by scanning the `net$mop_client_startup.ncl` startup script file on the local system) to supply defaults for the two questions that follow.

---

The next two questions determine the location of the satellite's system root. The first question asks for the disk device on which the cluster member's system root resides. The default is either `sys$sysdevice` or the root device found for that system in the local system's `net$mop_client_startup.ncl` script file.

```
* Device for FASTER root:                       [SYS$SYSDEVICE] :
```

Enter the device containing the system's root.

Next, the procedure asks you for the system root directory from which the member loads:

```
* Directory for FASTER root:                     : SYS2
```

Enter the system root directory in the form `SYSxxxx`, where `xxxx` is a hexadecimal number.

The procedure verifies that the cluster member has been configured (either through the autoconfigure option discussed in suboption 1 or by running `net$configure` directly on the satellite). If the autoconfigure file created by suboption 1 is found but no other configuration files are found, the procedure displays the following message:

```
*****  
This cluster member has been flagged for autoconfiguration of  
OSI/DECnet Phase V, but has not yet executed the autoconfiguration  
procedure. In order to do this, the system must be rebooted, or  
SYS$STARTUP:NET$STARTUP.COM must be executed.  
*****
```

## Modifying a Current Configuration

### 7.15 Configuring Satellite Nodes

If the procedure finds no configuration files and no autoconfigure file, it displays the following message:

```
*****
This cluster member has not yet been configured for OSI/DECnet
Phase V. You may either select option [1] to autoconfigure this
system, or run NET$CONFIGURE on this system.
*****
```

If the proper configuration information is found, the procedure returns to the main options menu to allow you to modify the cluster member's configuration. Before `net$configure` returns to the main options menu, it warns you that all subsequent options will be applied to the cluster member you specified:

```
%NET$CONFIGURE-I-VERCHECKSUM, verifying checksums
All configuration options will be applied to cluster node FASTER
```

Note that the following main menu options are not available when configuring satellite nodes: option 1 (Perform an entire configuration), option 3 (Configure Devices on this machine), and option 5 (Configure Timezone Differential Factor).

#### 7.15.3 Electing to Configure the Local Node

If you select option 3, it clears the action of option 2; that is, all subsequent `net$configure` modifications are made to the local system (as when `net$configure` was started).

To direct the configuration procedure to perform all future operations on the local node, select option 3 from the satellite options menu:

```
* Which configuration option to perform? [1] : 3
```

All subsequent configuration tasks now affect the local node. All options in the main options menu are again available.

#### 7.15.4 Exiting the Satellite Options Menu

To exit the satellite options menu, enter 0 and press Return. The procedure returns you to the main options menu.

## 7.16 Configuring Cluster-Common Script Locations

If you did not already elect to do so, this option allows you to make the event, application, and MOP client NCL startup scripts (`net$event_startup`, `net$application_startup`, and `net$mop_client_startup`) common for all cluster nodes. That is, a single copy of each script is shared by all systems in the cluster. This ensures that all systems have the same event logging, application, and MOP client configuration.

The configuration procedure does this by moving the NCL startup scripts from the node's `sys$specific` directory to its `sys$common` directory.

---

#### Note

---

The configuration procedure deletes the existing system-specific NCL startup scripts in `sys$specific` only on the node where `net$configure` is currently running. It does not delete the system-specific script files from the `sys$specific` directories of the other cluster members. You must do this explicitly by selecting this option (either after using suboption 2 of option 11 to select the cluster member or by running `net$configure`

## Modifying a Current Configuration

### 7.16 Configuring Cluster-Common Script Locations

directly on the cluster member) on all cluster members where you want to delete the `sys$specific` scripts.

---

#### BASIC

This option is not available when using the BASIC option.

#### ADVANCED

To select this option, you must have already configured the system using the ADVANCED configuration option, and `net$configure` must be executing on a cluster system.

To manage the location of the cluster-common NCL startup script files, select option 12 from the main options menu:

```
* Which configuration option to perform?                [1] : 12
```

The remainder of this section contains an example of how this option can be used to manage the location of the scripts files for `EVENT`, `APPLICATION`, and `MOP_CLIENT`. This example assumes that you elect to create cluster-common script files for all three scripts. It is assumed that you previously elected to create system-specific scripts. These cluster-common scripts are created from the system-specific scripts on the currently selected system. (To make the dialogs in this section more clear, some additional formatting has been added to the example output.)

#### 1. Begin by selecting option 12.

```
* Which configuration option to perform?                [1] : 12
```

#### 2. For each script, the procedure asks if you want to move the script and then displays a message indicating that the script has been moved if you answer YES:

```
* Move the APPLICATION startup script to the cluster common area? [YES] :
%NET$CONFIGURE-I-MOVESCRIPT, created cluster common APPLICATION startup script
  from SYS$SPECIFIC:[SYSMGR]NET$APPLICATION_STARTUP.NCL;

* Move the EVENT startup script to the cluster common area? [YES] :
%NET$CONFIGURE-I-MOVESCRIPT, created cluster common EVENT startup script
  from SYS$SPECIFIC:[SYSMGR]NET$EVENT_STARTUP.NCL;

* Move the MOP_CLIENT startup script to the cluster common area? [YES] :
%NET$CONFIGURE-I-MOVESCRIPT, created cluster common MOP_CLIENT startup script
  from SYS$SPECIFIC:[SYSMGR]NET$MOP_CLIENT_STARTUP.NCL;
```

---

#### Note

---

Although the example shows all three scripts being moved, you do not have to treat all scripts in the same manner.

---

After moving the scripts, new checksums are created and the procedure returns to the main options menu (after informing you that it is using the cluster-common scripts):

```
%NET$CONFIGURE-I-MODCHECKSUM, checksumming NCL management scripts modified
  by NET$CONFIGURE

%NET$CONFIGURE-I-CONFIGCOMPLETED, DECnet-Plus for OpenVMS configuration
  completed
```



## Modifying a Current Configuration

### 7.16 Configuring Cluster-Common Script Locations

```
%NET$CONFIGURE-I-USECOMMON, using cluster common APPLICATION script
%NET$CONFIGURE-I-USECOMMON, using cluster common EVENT script
%NET$CONFIGURE-I-USECOMMON, using cluster common MOP_CLIENT script
```

3. However, these cluster-common scripts will not be used by the satellite system **FASTER** because it still has system-specific copies. To change this, select option 11 to manage cluster nodes and then suboption 2 to manage the configuration for node **FASTER**:

```
Configuration Options:
[0]      Exit this procedure
[1]      Perform an entire configuration
.
.
.
[11]     Configure satellite nodes
[12]     Configure cluster script locations
* Which configuration option to perform?           [0] : 11

Configuration Options:
[0]      Return to main menu
[1]      Autoconfigure Phase IV cluster nodes
[2]      Full configuration of cluster node
[3]      Configure local node
* Which configuration option to perform?           [0] : 2
* Cluster node name to be configured:              : FASTER
* Device for FASTER root:                          [SYS$SYSDEVICE] :
* Directory for FASTER root:                       : SYS10
```

The configuration procedure informs you that **FASTER** has system-specific versions of these scripts that override the cluster-common scripts:

```
%NET$CONFIGURE-I-OVERRIDECOMMON, node specific APPLICATION script overrides
the cluster common settings
%NET$CONFIGURE-I-OVERRIDECOMMON, node specific EVENT script overrides
the cluster common settings
%NET$CONFIGURE-I-OVERRIDECOMMON, node specific MOP_CLIENT script overrides
the cluster common settings
```

All configuration options will be applied to cluster node **FASTER**

4. Select option 12 to delete the system-specific scripts so that **FASTER** will use the cluster-common versions:

```
Configuration Options:
[0]      Exit this procedure
[1]      Perform an entire configuration
.
.
.
[11]     Configure satellite nodes
[12]     Configure cluster script locations
* Which configuration option to perform?           [0] : 12
```

5. The procedure asks you if each system-specific script should be deleted and displays a message indicated that it is deleting the system-specific version when you answer **YES**:



## Modifying a Current Configuration

### 7.16 Configuring Cluster-Common Script Locations

```
* Delete the local APPLICATION startup script?           [NO] : yes
%NET$CONFIGURE-I-DELETEDOVERRIDE, deleted system specific copy of the
APPLICATION startup script

* Delete the local EVENT startup script?                 [NO] : yes
%NET$CONFIGURE-I-DELETEDOVERRIDE, deleted system specific copy of the
EVENT startup script

* Delete the local MOP_CLIENT startup script?           [NO] : yes
%NET$CONFIGURE-I-DELETEDOVERRIDE, deleted system specific copy of the
MOP_CLIENT startup script
```

After deleting the system-specific scripts, new checksums are created and the procedure returns to the main menu (after informing you that it is using the cluster-common scripts):

```
%NET$CONFIGURE-I-MODCHECKSUM, checksumming NCL management scripts modified
by NET$CONFIGURE

%NET$CONFIGURE-I-CONFIGCOMPLETED, DECnet-Plus for OpenVMS configuration
completed

%NET$CONFIGURE-I-USECOMMON, using cluster common APPLICATION script
%NET$CONFIGURE-I-USECOMMON, using cluster common EVENT script
%NET$CONFIGURE-I-USECOMMON, using cluster common MOP_CLIENT script

All configuration options will be applied to cluster node FASTER
```

After the initial creation of cluster-common scripts, option 12 always allows you to alternate the status of the system-specific scripts. That is, if the system currently has system-specific scripts, you are given the opportunity to delete them. If the system does not currently have system-specific scripts, you are given the opportunity to create them.

For example, if you now wanted to restore system-specific scripts to node FASTER, again select option 12 (this time to restore the system-specific scripts so that FASTER will use these scripts instead of the cluster-common versions):

```
Configuration Options:
[0]   Exit this procedure
[1]   Perform an entire configuration
.
.
.
[11]  Configure satellite nodes
[12]  Configure cluster script locations

* Which configuration option to perform?           [0] : 12

* Override the cluster common default APPLICATION startup script? [NO] : y
%NET$CONFIGURE-I-CREATEDOVERRIDE, created system specific copy of the
APPLICATION startup script

* Override the cluster common default EVENT startup script? [NO] : y
%NET$CONFIGURE-I-CREATEDOVERRIDE, created system specific copy of the
EVENT startup script

* Override the cluster common default MOP_CLIENT startup script? [NO] : y
%NET$CONFIGURE-I-CREATEDOVERRIDE, created system specific copy of the
MOP_CLIENT startup script
```

After creating the system-specific scripts, new checksums are created and the procedure returns to the main menu (after informing you that it is using the system-specific scripts):

## Modifying a Current Configuration

### 7.16 Configuring Cluster-Common Script Locations

```
%NET$CONFIGURE-I-MODCHECKSUM, checksumming NCL management scripts modified
  by NET$CONFIGURE
%NET$CONFIGURE-I-CONFIGCOMPLETED, DECnet-Plus for OpenVMS configuration
  completed
%NET$CONFIGURE-I-OVERRIDECOMMON, node specific APPLICATION script overrides
  the cluster common settings
%NET$CONFIGURE-I-OVERRIDECOMMON, node specific EVENT script overrides
  the cluster common settings
%NET$CONFIGURE-I-OVERRIDECOMMON, node specific MOP_CLIENT script overrides
  the cluster common settings
```

If you choose not to delete the system-specific files, the procedure gives you the option to delete the cluster-common files instead:

```
* Delete the local APPLICATION startup script?           [NO] :
* Delete the cluster common APPLICATION script?         [NO] : yes
%NET$CONFIGURE-I-DELETECOMMON, deleted the cluster common APPLICATION
  startup script
* Delete the local EVENT startup script?                 [NO] :
* Delete the cluster common EVENT script?               [NO] : yes
%NET$CONFIGURE-I-DELETECOMMON, deleted the cluster common EVENT
  startup script
* Delete the local MOP_CLIENT startup script?           [NO] :
* Delete the cluster common MOP_CLIENT script?         [NO] : yes
%NET$CONFIGURE-I-DELETECOMMON, deleted the cluster common MOP_CLIENT
  startup script
```

After deleting the cluster-common scripts, new checksums are created and the procedure returns to the main menu:

```
%NET$CONFIGURE-I-MODCHECKSUM, checksumming NCL management scripts modified by
  NET$CONFIGURE
%NET$CONFIGURE-I-CONFIGCOMPLETED, DECnet-Plus for OpenVMS configuration completed
All configuration options will be applied to cluster node FASTER
```

### 7.17 Summary Display

With the exceptions of options 5, 7, 8, 11, and 12, the configuration procedure displays an updated summary of the node's configuration.

In the case of option 1 (Perform an entire configuration) or option 2 (Change naming information), the display includes an additional field entitled "DECdns Node Type" in the Node Information section. This field shows you whether the node has been configured as a DECdns server or clerk. A portion of the display is shown below (for the complete display, see Section 6.13):

Summary of Configuration

## Modifying a Current Configuration 7.17 Summary Display

```
Node Information
Directory Services Chosen:      DECDNS,LOCAL,DOMAIN
Primary Directory Service:      DECDNS
DECdns Full name:               ACME:.WABBIT.ELMER
Local Full name:                LOCAL:.ELMER
Fully Qualified
Host name:                      ELMER.WABBIT.ACME.EDU
Node Synonym:                   ELMER
Phase IV Address:               15.27
Phase IV Prefix:                49::
DECdns Node Type:               Server
Session Control Address Update Interval: 10
Routing Node Type:              ENDNODE
Autoconfiguration of Network Addresses: Enabled
Routing ESHello Timer:         600
Routing ES Cache Size:         512

Alias Name:                     ACME:.WABBIT.HELP
.
.
.
```

## 7.18 Generating New NCL Startup Scripts

With the exception of options 2 and 12, the procedure asks if you want generate new NCL startup scripts based on the new configuration information:

```
* Do you want to generate NCL configuration scripts?  [YES] :
```

Answer YES to accept the new configuration you just specified. The procedure automatically generates any required NCL scripts in the `sys$manager` directory.

---

### Note

---

Option 2 (Change naming information) does not ask if you want to generate new NCL scripts. It always generates new scripts. The naming operations are complex and are performed throughout the dialog. Therefore, if you need to retract a change, you must run the configuration dialog again with the old information.

---

The procedure performs a checksum process on the modified scripts to check if any of the scripts have changed when you run `net$configure` again. It displays a message indicating that the checksum process is in progress:

```
%NET$CONFIGURE-I-MODCHECKSUM, checksumming NCL management scripts
modified by NET$CONFIGURE
```

If the procedure is unable to access the existing checksum file, it displays the following error messages:

```
%NET$CONFIGURE-E-WRITECKERR, error writing checksum file
```

```
.
.
.
```

```
%NET$CONFIGURE-I-LASTTRANSABORT, last transaction aborted
```

Exit the procedure (select option 0), determine why the configuration procedure was not able to write a new checksum file, and retry the operation.

## Modifying a Current Configuration

### 7.18 Generating New NCL Startup Scripts

The LASTTRANSABORT message is also displayed whenever you cancel an option. The configuration procedure returns to the main menu. Under these circumstances, you can continue with other configuration options.

### 7.19 Starting the Network

When modifying a configuration, the configuration procedure does not restart a running network. If you selected option 1 (Perform an entire configuration) and the network is not started, the procedure starts the network as discussed in Section 6.15. If you selected option 2 (Change naming information), the procedure also starts the network to enable it to make namespace modifications. See Section 7.6 for more information about processing that occurs during option 2 modifications.

In the case of all other options that affect the local node, if the network is running when you modify the node's configuration, you can execute the modified NCL startup scripts in two ways:

- Reboot the system.
- Disable the entity to which the script applies and execute the modified script.

To execute the NCL script, use the format `ncl> do script-file`. For example:

```
ncl> do sys$manager:net$nsp_transport_startup.ncl
```

---

#### Note

---

Although, the `net$configure` procedure does not automatically execute the modified NCL scripts for you, it does execute the search path NCL script (`net$searchpath_startup.ncl`).

---

### 7.20 Customizing the Network Configuration

To customize your system beyond what the `net$configure` procedure provides, you must edit the NCL scripts produced by `net$configure` (refer to the *HP DECnet-Plus for OpenVMS Network Management* manual). HP recommends that you use the `net$configure` procedure for major modifications involving an entire entity.

#### 7.20.1 Creating User-Defined Scripts

You can use user-defined site-specific NCL scripts for the Event Dispatcher, MOP client, application, and search path entities. (See Section B.1.1 for further information about creating the site-specific search path script.)

The network startup procedure (`net$startup.com`) calls four site-specific NCL scripts (if they exist) when the network is started. These scripts must be in `sys$manager`. They are called immediately after their `net$configure` generated counterparts are executed. The following table lists the scripts and their counterparts.

## Modifying a Current Configuration

### 7.20 Customizing the Network Configuration

---

User-Defined Site-Specific Script	Generated Script
net\$event_local.ncl	net\$event_startup.ncl
net\$application_local.ncl	net\$application_startup.ncl
net\$mop_client_local.ncl	net\$mop_client_startup.ncl
net\$searchpath_local.ncl	net\$searchpath_startup.ncl

---

Such user-defined scripts are user-maintained and thus are not overwritten or deleted by `net$configure`. HP recommends that, whenever possible, you place your site-specific changes in these user-defined NCL scripts.

HP provides a template for the `net$event_local.ncl` file. The template is located in the `sys$manager:` directory with the file name `net$event_local.template`. Simply copy the file to `net$event_local.ncl` and make any changes for your system.

---

#### Note

---

If you invoke `net$configure` to edit a standard NCL script (`net$entity_startup.ncl`), the standard NCL script is superseded and renamed to `net$entity_startup.ncl-old` (where *entity* is a particular entity name).

---

If you must make changes to the standard NCL scripts and you want to retain your modifications after invoking `net$configure`, you can either manually edit the NCL script to replace the user modifications or rename the appropriate `net$entity_startup.ncl-old` script back to `net$entity_startup.ncl`. Be sure to incorporate any new changes as well. The `net$configure` procedure flags these modifications the next time it checksums the scripts.



# Part III

---

## Configuring X.25 Functionality on DECnet-Plus for OpenVMS VAX Systems

Part III describes the steps necessary to configure X.25 functionality on DECnet-Plus for OpenVMS VAX systems. This functionality was previously a separate product known as VAX P.S.I.





---

## Configuring X.25 for OpenVMS VAX

This chapter describes how to configure X.25 functionality on DECnet-Plus for OpenVMS VAX systems (this functionality was formerly provided by a separate product known as VAX P.S.I.). The functionality formerly provided by VAX P.S.I. is now included with the DECnet-Plus for OpenVMS VAX software.

---

### Note

---

You must elect to install this functionality during installation of the DECnet-Plus for OpenVMS VAX software (see Section 3.1.2).

---

### 8.1 Terminology

The terminology used in the VAX P.S.I. product has been replaced by the terminology used in the documentation for the separate X.25 for OpenVMS product used on OpenVMS I64 and OpenVMS Alpha systems. Table 8–1 shows the correlation between VAX P.S.I. terms and their X.25 for OpenVMS counterparts.

**Table 8–1 X.25 Terminology**

VAX P.S.I.	X.25 for OpenVMS
VAX P.S.I.	X.25 for OpenVMS VAX
Access system	X.25 Client system
Native system	X.25 Direct Connect system
Multihost system	X.25 Connector system
Gateway system	X.25 Connector system

### 8.2 Steps in Configuring X.25 for OpenVMS VAX

See Figure 8–1 and take the following steps to configure X.25 functionality on your OpenVMS VAX system:

1. Plan your configuration (see the *DECnet-Plus Planning Guide* manual and Section 8.3).
2. Make a list of the information you need during the configuration program, using Section 8.6.
3. Run the X.25 configuration program (see Section 8.4).
4. Run the `net$configure` program (in either BASIC or ADVANCED mode) to configure your network.

## Configuring X.25 for OpenVMS VAX

### 8.2 Steps in Configuring X.25 for OpenVMS VAX

5. Carry out the postconfiguration tasks: starting X.25 and testing your configuration (see Section 8.7).

### 8.3 Planning the X.25 Configuration

This section introduces the aspects of your proposed configuration that you need to consider before you run the configuration program.

#### 8.3.1 Configuring Client, Direct Connect, and Connector Systems

There are three types of X.25 for OpenVMS systems:

- Client (formerly known as Access)
- Direct Connect (formerly known as Native)
- Connector (formerly known as Multihost)

---

**Note**

---

The older system type names are still used by the X.25 configuration utility. The newer terms are used here for compatibility with the remainder of the X.25 for OpenVMS documentation set.

---

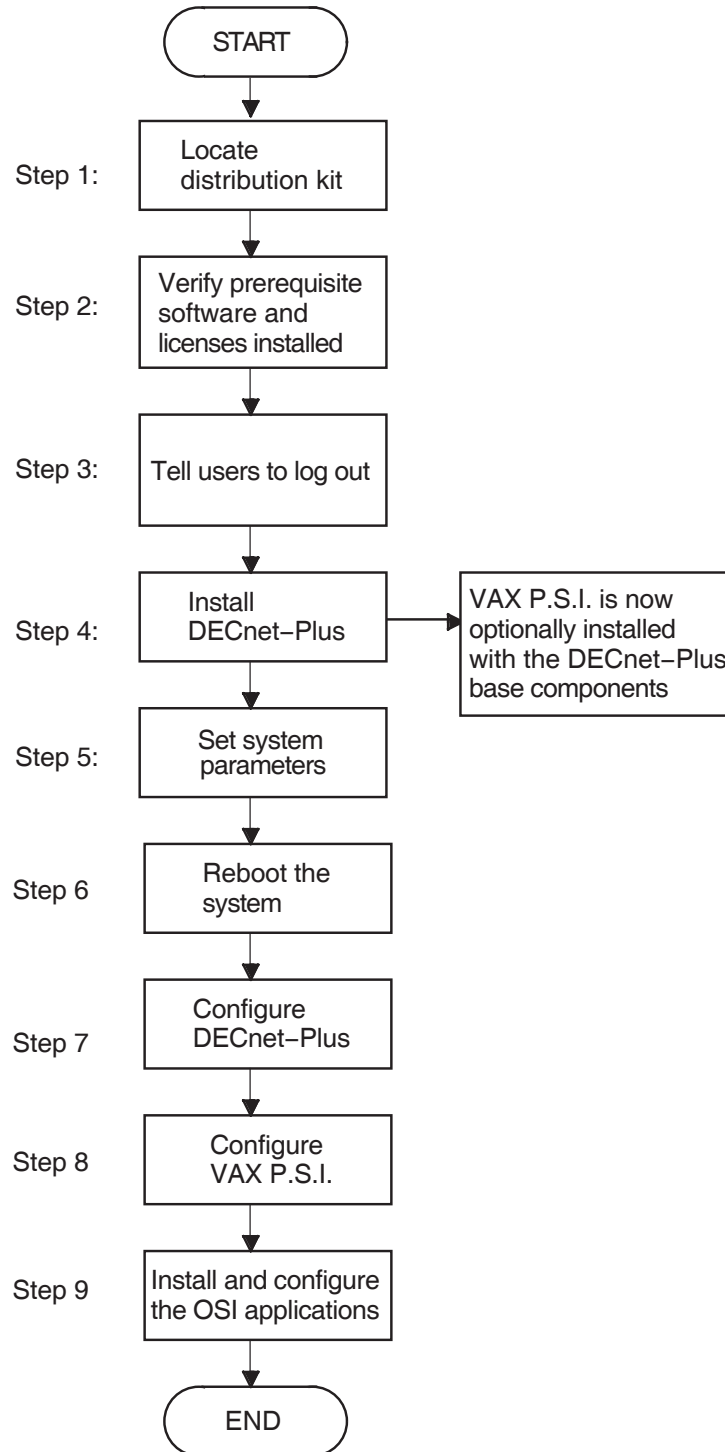
Refer to the *DECnet-Plus for OpenVMS Introduction and User's Guide* manual for an explanation of X.25 fundamentals.

The types of systems you can configure depend on the licenses that you have installed. Table 8–2 summarizes the various possible configurations.

**Table 8–2 X.25 for OpenVMS VAX Configurations and License Requirements**

Licenses	Possible X.25 Configurations
DECnet-Plus only	Client system
X.25	Direct Connect system
DECnet-Plus and X.25	Client Direct Connect Connector Client and Direct Connect Client and Connector

Figure 8-1 Installation and Configuration Flowchart



ZK-8266A-GE

## Configuring X.25 for OpenVMS VAX

### 8.4 Using the Configuration Program

## 8.4 Using the Configuration Program

To configure X.25 functionality on your OpenVMS VAX system, you need to run the `psi$configure.com` command program.

This program allows you to set up the permanent configuration database for X.25 functionality on an OpenVMS VAX system.

### 8.4.1 Invoking the Configuration Program

To start the X.25 configuration program, log in to any account that has OPER and SYSPRV privileges and enter the command:

```
$ @sys$manager:psi$configure
```

### 8.4.2 Common Operations

The configuration program consists of a number of sections, each corresponding to a logical group of information. Each section consists of one or more screens on which you can enter data. All sections (with the exception of the X.29 and Mail support section) also have an introductory information screen.

Most sections are optional. These sections begin with a question of the form: "Do you want to set up X?" If you select Yes, you go through the rest of the section. If you select No, you go directly to the next new section, although you can decide at a later stage to complete that section (See Section 8.4.5).

#### 8.4.2.1 Entering Information

The program prompts you for information in two ways:

- For some questions, you choose your answer from a menu by using the arrow keys and pressing Return.
- For other questions, you type data into a field and press Return.

When you have entered all the required information on a screen, a new screen appears automatically. You cannot move forward until you have completed the required fields.

---

#### Note

---

The configuration program indicates it is processing input by flashing the message *working* in the bottom left-hand corner of the screen.

---

#### Horizontal Scrolling

Usually, when you type data into a field, you can see the entire field on the screen. However, in some cases, the maximum length of the data you are allowed to type is too long to fit into the field shown on the screen; for example, a node name, which may be up to 400 characters. In such cases, the field scrolls horizontally as you enter data.

Note that horizontal scrolling works only if the keyboard is in Insert mode.

### Data Entry Mode

By default, each data entry screen is invoked in Overstrike mode. In this mode, any characters entered overwrite any characters currently displayed in the data entry field. If required, a data entry screen can be placed in Insert mode. In this mode, any characters entered are inserted into the characters currently displayed; any previously entered characters are moved to the right. To change from one mode to the other, press **Ctrl/A**. The current mode is displayed in the upper right-hand corner of the data entry screen.

#### 8.4.2.2 Moving Within a Section

To move backward within a section, press the **Prev Screen** key. You are allowed to move backward within a section whether you have finished it or not. However, you can move backward only as far as the first screen of the section. To reach another section, use the Sections Menu (see Section 8.4.5).

If you have moved back to look at completed screens, you can move forward again by pressing the **Next Screen** key. Do this until you reach an incomplete screen. Then complete the required fields on that screen before moving on.

#### 8.4.3 Moving Between Sections

The methods available for moving between sections depend on whether you are creating or modifying a configuration.

When **creating** a configuration, an Options Menu is displayed when you complete the last data entry screen in a section. This menu includes options that allow you to move to the next uncompleted section or to move to a previously completed section (via the Sections Menu):

- To move to the next uncompleted section, select the option “Continue to a new section”.
- To move to a previously completed section, select the option “Go to Sections Menu”.

Full details of the Options Menu are provided in Section 8.4.5.

When **modifying** a configuration, a specific section can be selected from the Sections Menu. The Sections Menu is displayed automatically after you select the option **Modify an existing configuration script**, or can be accessed from the Options Menu of the current section by selecting the option “Go to Sections Menu” (refer to Section 8.4.5).

#### 8.4.4 Keys Used in the Configuration Program

Table 8–3 lists the keys you can use when running the configuration program.

Note that if your terminal does not support cursor keys, you cannot move between fields, and therefore you cannot run the configuration program from the terminal.

To use the cursor keys, you must ensure that the terminal device type is set correctly so that it reflects the terminal being emulated.

To set the terminal device type, enter the command:

```
$ SET TERM/DEVICE=terminal_type
```

## Configuring X.25 for OpenVMS VAX

### 8.4 Using the Configuration Program

where `terminal_type` is specified as VT300, VT200, and so on.

---

#### Note

---

If you intend to run the configuration program in a DECterm window, the terminal type **must** be set to VT320. To set the correct terminal type:

1. Select the Options pull-down menu.
  2. Select the General... option.
  3. Select VT300 Mode, 7--Bit Control and Terminal ID VT320 ID.
  4. Select OK.
- 

**Table 8-3 Available Keys Used by the X.25 Configuration Program**

DEC Terminal (VT200 or higher) Keys	Function
<b>Movement Keys</b>	
UP and DOWN arrow keys	Moves cursor between fields
LEFT and RIGHT arrow keys	Moves cursor within a field
<input type="button" value="Prev Screen"/>	Takes you to the previous screen in the current section
<input type="button" value="Next Screen"/>	Takes you to the next screen in the current section
<input type="button" value="Ctrl/E"/>	Moves cursor to end of input field
<input type="button" value="Ctrl/H"/>	Moves cursor to start of input field
<b>Edit Keys</b>	
<input type="button" value="Return"/> <input type="button" value="Select"/> or <input type="button" value="Enter"/>	Enters or selects a value
<input type="button" value="Remove"/> or <input type="button" value="Ctrl-U"/>	Deletes all characters from a field
<input type="button" value="Delete"/>	Deletes previous character
<b>Action Keys</b>	
<input type="button" value="Help"/>	Provides help on the current field
<input type="button" value="F9"/>	Return to Program Help menu
<input type="button" value="F10"/>	Exit Help
<input type="button" value="F8"/> or <input type="button" value="Ctrl/Z"/>	Quit
<input type="button" value="Ctrl/A"/>	Toggle Insert/Overstrike Mode
<input type="button" value="Ctrl/W"/>	Redraw screen

---

#### 8.4.5 Accessing the Options Menu

When you leave the last screen in a section, an Options menu appears.

Generally, the Options menu for a section provides the following choices:

- Continue to new section
- Add an *x*

## Configuring X.25 for OpenVMS VAX

### 8.4 Using the Configuration Program

- Modify an *x*
- Delete an *x*
- Go to Sections menu

where *x* is the item you created in that section.

For example, the PVC Options menu provides the following choices:

```
Continue to a new section
Add a PVC
Modify a PVC
Delete a PVC
Go to Sections menu
```

These options are described here.

#### **Continue to a new section**

Choose this option when you finish entering or modifying information in the current section. The configuration program then displays the first screen in the next unseen section.

#### **Add an X**

Choose this option to add another item in this section.

For example, when you finish entering data for a PVC and you want to add another PVC, choosing this option takes you back to the first data entry screen for PVCs.

#### **Modify an X**

Choose this option to modify some or all of the information you provided previously about an item.

For example, if you choose this option from the PVC Options menu, the next screen lists all the PVCs defined so far. You select one of these (PVC1, for example), and then go back to the first data entry screen for PVCs. The fields contain the information you provided when you first set up PVC1. You can modify any of this information. Use the `Next Screen` key and the `Prev Screen` key to move between screens that you do not want to alter.

#### **Delete an X**

Choose this option to delete an item in this section.

For example, if you choose this option from the PVC Options menu, a list of all PVCs defined on your system so far appears on the screen. Select one of these (PVC2, for example), and you are asked for confirmation that this is the one you want to delete.

#### **Go to Sections Menu**

Choose this option to go to the Sections menu. From there you can go on to the Options menu of a different section.

## Configuring X.25 for OpenVMS VAX

### 8.4 Using the Configuration Program

#### 8.4.6 Obtaining Help

You can get help at any time during the program by pressing the **[Help]** key.

##### 8.4.6.1 Obtaining Help on the Program

You can get help on the configuration program (for example, which keys you can use or how to navigate between screens) by pressing the **[Help]** key while you are on any other Help screen.

##### 8.4.6.2 Obtaining General Help

If you press the **[Help]** key while on any of the introductory screens, the screen is replaced by general information about that section. For example, pressing the **[Help]** key while on the PVC introduction screen brings up general information on PVCs.

You can also reach this section help from the Options menu for any particular section.

##### 8.4.6.3 Obtaining Help on a Specific Field or Menu Choice

If you press the **[Help]** key while the cursor is on a particular field or menu choice, three lines of text appear near the bottom of the screen. These lines tell you what sort of value is expected in that field or what the implications are of making that choice.

If you press the **[Help]** key again, the screen is replaced by additional information about that field or menu choice. Press the **[F10]** key to leave help and return to the screen from which you pressed the **[Help]** key originally.

#### 8.4.7 Creating the Configuration File

The final section in the configuration program is Create the NCL Script. You are asked if you want to create the NCL script.

- If you answer YES, the configuration program uses the information you have entered to create two files of NCL commands.
- If you answer NO, you see a Sections menu, showing all the completed sections. At this point, you can return to any of these sections and modify, add, or delete information. When you want to create an NCL script, go to the Sections menu from any of the Options menus, and select **Create the NCL Script**.

- After the NCL scripts are created, you are asked if you want to run a command file called `psi$security_identifiers.com`.

This file is created by the configuration program, to add certain rights identifiers to the system rights database on your system. The rights to be added depend on the security information you have supplied.

You can run the command file from within the configuration program, or you can exit from the configuration program and run the command file later. Note that you cannot start the X.25 software until you have run this command file. This is true even if you have selected not to set up X.25 security for your system.

If you edit the command procedure before running it, you must make corresponding changes to the NCL scripts before attempting to start the X.25 software.



If, for some reason, the program cannot create the NCL script, an error message appears at the foot of the screen and the cursor stays on the question, "Do you wish to create the NCL scripts now?" You must correct the problem before you answer YES to this question.

#### 8.4.8 Quitting from the Configuration Program

---

**Caution**

---

Quitting from the configuration program deletes all information entered since the NCL script was last created or since the configuration data was last saved. This action should therefore be performed only if you do not want to retain the entered data.

---

To quit from the configuration program without creating an NCL script:

1. Press **F8**.

A warning message is displayed and you are prompted to confirm that you want to quit the configuration program.

2. To quit the program, enter YES. The system prompt is redisplayed.

To return to the program, enter NO. The screen from which you chose to quit the configuration program is redisplayed.

#### 8.4.9 Leaving the Program

Once the configuration program has created the configuration file containing the NCL scripts, the Main Menu is redisplayed.

To leave the configuration program, select the option **Exit this program**.

### 8.5 Configuration Sections

The X.25 configuration program has many sections, but not all sections are relevant to all types of systems. Table 8-4 shows the sections that apply to each type of system.

## Configuring X.25 for OpenVMS VAX

### 8.5 Configuration Sections

**Table 8–4 Configuration Sections Applicable to Client, Direct Connect, and Connector Systems**

Section	Applies to Client?	Applies to Direct Connect?	Applies to Connector?
Lines and DTEs <sup>1</sup>	No	Yes	Yes
Set Up PVCs	No	Yes	Yes
Set Up Groups	No	Yes	Yes
Set Up LLC2 <sup>1</sup>	Yes	Yes	Yes
Set Up Remote DTE Classes	Yes	No	No
Choose X.29 and P.S.I. Mail Support	Yes	Yes	Yes
Set Up Server Clients	No	No	Yes
Set Up Applications	Yes	Yes	Yes
Set Up Templates	Yes	Yes	Yes
Declaring a Network Process	Yes	Yes	Yes
Select X.25 Security Option	Yes	Yes	Yes
Set Up Incoming Security for Applications	Yes	Yes	Yes
Set Up Outgoing Security for Local Processes	Yes	Yes	Yes
Set Up Incoming Security for Network Processes	Yes	Yes	Yes
Set Up Incoming Security for Server Clients	No	No	Yes
Set Up Outgoing Security for Client Systems	No	No	Yes
Create the NCL Script	Yes	Yes	Yes

<sup>1</sup>You must set up at least one synchronous line and associated DTE or at least one LLC2 DTE.

The X.25 configuration program automatically skips sections that do not apply to your type of system.

#### Lines and DTEs

Choose a line on your system to configure for X.25 communications. You must configure at least one synchronous line unless you intend to use LLC2 exclusively.

#### PVCs

Your DTE can communicate with a remote DTE using either an SVC (switched virtual circuit) or a PVC (permanent virtual circuit). A PVC is a permanent association between two specific DTEs.

Two DTEs connected by a PVC can communicate without the need for call clearing or call setup.

Complete this section if you have requested this facility from your packet switching data network (PSDN).

#### Groups

If your DTE belongs to a closed user group (CUG), it can communicate freely with remote DTEs that are also members of that CUG. Its communications with other DTEs may be restricted, depending on your PSDN subscription options.

You must complete this section if you have requested this facility from your PSDN.

#### LLC2 DTEs

LLC2 is a data link protocol used on LANs, over which the X.25 Packet-Level Protocol (PLP) is run.

You must set up an LLC2 DTE for each remote system to which you want to connect on the LAN. You can set up one or more LLC2 DTEs per LAN connection.

#### Remote DTE Classes

Use this section to specify the connector systems that your client system uses.

#### X.29 and P.S.I. Mail

This section allows you to add support for X.29 communications and for P.S.I. Mail.

You need X.29 support if your X.25 system is to communicate with character-mode terminals.

P.S.I. Mail is an extension of OpenVMS Mail that lets you send mail messages to and receive them from other P.S.I. Mail systems across a PSDN.

#### Server Clients

You must create server clients to allow your connector system to pass incoming calls to the correct client system. A server client identifies a client system or group of client systems that use this connector system to receive incoming calls.

In this section, you also set up filters for server clients. You must set up at least one filter for each server client. See **Filters** for more about filters.

#### Filters

Filters are sets of characteristics that can be matched to fields in an incoming call request packet. If the characteristics in an incoming call match the characteristics you set in a filter, then the call is passed to the server client or the application associated with that filter.

You must supply a filter name and a priority for each filter. You may leave all the other parameters unspecified.

The more parameters you specify in a filter, the more specific the filter. To handle unexpected calls, for example, you could create a filter with most of its parameters unspecified and with a low priority to act as a catchall for unexpected calls.

#### Applications

You must specify any X.25 or X.29 applications on your system to allow incoming calls for those applications to succeed.

You must supply the name of the command file that starts the application. You may also supply a user name for the application.

Do not specify any applications that do not receive calls.

In this section, you also set up filters for applications. You must set up at least one filter for each application. See **Filters** for more about filters.

## Configuring X.25 for OpenVMS VAX

### 8.5 Configuration Sections

#### Templates

Your system uses a template to make outgoing calls. A template sets various parameters for each call made using that template.

A template called `default` is created automatically on your system.

#### Declaring a Network Process

X.25 and X.29 programs on your system can issue `$QIO(IO$_ACPCONTROL)` calls to declare themselves as network processes. Each `$QIO(IO$_ACPCONTROL)` specifies a filter used to determine which calls are able to access the program.

The filter specified by `$QIO(IO$_ACPCONTROL)` can be one of two types:

- **Static**  
In this case, `$QIO(IO$_ACPCONTROL)` names a filter that already exists on your system. Complete this section if you want to create static filters for use by `$QIO(IO$_ACPCONTROL)`.
- **Dynamic**  
In this case, the filter characteristics are specified in the `$QIO(IO$_ACPCONTROL)` call. The filter created in this way by the `$QIO(IO$_ACPCONTROL)` call ceases to exist when the program exits. Complete this section if you want to name the dynamic filters created by `$QIO(IO$_ACPCONTROL)`.

If your programs issue only `$QIO(IO$_ACPCONTROL)` calls that use unnamed dynamic filters, you do not need to complete this section.

#### Security

This section allows you to choose to set up X.25 security to prevent unauthorized use of your X.25 system. If you do not set up X.25 security, any remote DTE can make a call to your system (provided it matches one of your filters), and any user on your system can make outgoing calls to any remote DTE. If you choose to set up X.25 security, you will see the following five security sections.

- **Incoming Security for Applications**  
You see this section only if you have an X.25 system on which you have set up applications.  
Complete this section if you want your applications to be able to receive calls from remote systems.
- **Outgoing Security for Local Processes**  
Complete this section if you want users on your system to be able to make calls to remote systems.
- **Incoming Security for Network Processes**  
Complete this section if you have X.25 or X.29 programs that issue `$QIO(IO$_ACPCONTROL)` calls to declare themselves as network processes.
- **Incoming Security for Server Clients**  
You see this section only if you have a connector system on which you have set up server clients.  
Complete this section if you want your system to be able to pass incoming calls to client systems.

- **Outgoing Security for Client Systems**

You see this section only if you have a connector system.

Complete this section if you want your system to be able to make outgoing calls on behalf of client systems.

**NCL Script**

When you are satisfied that all the information you entered is complete and correct, the configuration program creates two NCL scripts using the information you provided. See Section 8.4.7 for additional information.

## 8.6 Required Configuration Data

This section details the information you need to provide during the configuration program.

Tables 8–5 to 8–20 list all the information required during the configuration.

Table 8–5 lists the information you need to complete the Lines and DTEs section of the configuration program.

**Table 8–5 Configuration Information: Lines and DTEs (Direct Connect and Connector Systems Only)**

Information required	Form in which it is required	Where to find it	Default
Select device	–	You select	–
Select line speed	–	Supplier of line	4.8 Kbits/s
DTE name	Max. 32 characters	You supply	DTE– <i>n</i>
DTE address	Max. 15 digits	PSDN subscription information	–
Logical channel ranges	Numbers or ranges of numbers	PSDN subscription information	–
Profile name	As supplied by HP	PSDN/HP	–
Flow control negotiation <sup>1</sup>	Yes or No	You select	No
Extended packet sequence numbering <sup>1</sup>	Yes or No	You select	No
Minimum packet size <sup>2</sup>	Decimal number	You supply (subject to PSDN restrictions)	Profile dependent
Maximum packet size <sup>2</sup>	Decimal number	You supply (subject to PSDN restrictions)	Profile dependent

<sup>1</sup>You need to make this choice only if the profile you entered supports the facility.

<sup>2</sup>You need to enter values here only if you chose to use packet-level negotiation.

(continued on next page)

## Configuring X.25 for OpenVMS VAX

### 8.6 Required Configuration Data

**Table 8–5 (Cont.) Configuration Information: Lines and DTEs (Direct Connect and Connector Systems Only)**

Information required	Form in which it is required	Where to find it	Default
Default packet size	Decimal number	You supply (subject to PSDN restrictions)	Profile dependent
Minimum window size (packet level) <sup>2</sup>	Decimal number	You supply (subject to PSDN restrictions)	Profile dependent
Maximum window size (packet level) <sup>2</sup>	Decimal number	You supply (subject to PSDN restrictions)	Profile dependent
Default window size (packet level)	Decimal number	You supply (subject to PSDN restrictions)	Profile dependent
Interface mode <sup>3</sup>	DTE or DCE	You select	DTE
Extended frame sequence numbering <sup>1</sup>	Yes or No	You select	No
Window size (frame level)	Decimal number	You supply (subject to PSDN restrictions)	Profile dependent
DTE Class	Max. 32 characters	You supply	Profile name

<sup>1</sup>You need to make this choice only if the profile you entered supports the facility.

<sup>2</sup>You need to enter values here only if you chose to use packet-level negotiation.

<sup>3</sup>You need to make this choice only if the profile you entered is ISO 8208 or NPSI.

## Configuring X.25 for OpenVMS VAX 8.6 Required Configuration Data

Table 8–6 lists the information you need to complete the PVCs section of the configuration program.

**Table 8–6 Configuration Information: PVCs (Direct Connect and Connector Systems Only)**

Information required	Form in which it is required	Where to find it	Default
Select a DTE	–	You select	–
PVC name	Max. 32 characters	You supply	PVC- <i>n</i>
Channel number	Decimal number	PSDN subscription information	–
PVC packet size	Decimal number	PSDN subscription information	Default DTE packet size
PVC window size	Decimal number	PSDN subscription information	Default DTE window size

Table 8–7 lists the information you need to complete the Groups section of the configuration program.

**Table 8–7 Configuration Information: Groups (Direct Connect and Connector Systems Only)**

Information required	Form in which it is required	Where to find it	Default
Group name	Max. 32 characters	You supply	GROUP- <i>n</i>
Group type	BCUG or CUG	PSDN subscription information	BCUG
DTE name <sup>1</sup>	–	You select	–
CUG number <sup>1</sup>	Decimal number	PSDN subscription information	–
Remote DTE address <sup>2</sup>	Max. 15 digits	PSDN subscription information	–

<sup>1</sup>You may specify more than one DTE/CUG number pair for groups of type CUG.

<sup>2</sup>You need to supply this information only if the Group type is BCUG.

## Configuring X.25 for OpenVMS VAX

### 8.6 Required Configuration Data

Table 8–8 lists the information you need to complete the LLC2 section of the configuration program.

**Table 8–8 Configuration Information: LLC2 DTEs (Direct Connect and Connector Systems Only)**

Information required	Form in which it is required	Where to find it	Default
Choose LAN device	–	You select	–
LLC2 DTE name	Max. 32 characters	You supply	DTE- <i>n</i>
LLC2 DTE address	Max. 15 digits	You supply	–
Logical channel ranges	Numbers or ranges of numbers	PSDN subscription information	–
Local LSAP	2 hexadecimal digits	You supply	7E
Remote MAC address	LAN hardware address	Remote system	–
Remote LSAP address	2 hexadecimal digits	Remote system	7E
Flow control negotiation	Yes or No	You select	No
Extended packet sequence numbering	Yes or No	You select	No
Minimum packet size <sup>1</sup>	Decimal number	You supply	16
Maximum packet size <sup>1</sup>	Decimal number	You supply	1024
Default packet size	Decimal number	You supply	128
Level 3 minimum window size (packet level) <sup>1</sup>	Decimal number	You supply	1
Level 3 maximum window size (packet level) <sup>1</sup>	Decimal number	You supply	7
Level 3 default window size (packet level)	Decimal number	You supply	2
DTE class	Max. 32 characters	You supply	LLC2-CLASS- <i>n</i>

<sup>1</sup>You need to supply these values only if you chose to use packet-level negotiation.



## Configuring X.25 for OpenVMS VAX 8.6 Required Configuration Data

Table 8–9 lists the information you need to complete the Remote DTE Classes section of the configuration program.

**Table 8–9 Configuration Information: Remote DTE Classes (Client Systems Only)**

Information required	Form in which it is required	Where to find it	Default
Name	Max. 32 characters	You supply	REMOTE-CLASS- <i>n</i>
Gateway node names	Max. 6 characters	You supply	–

Table 8–10 lists the information you need to complete the X.29 and P.S.I. Mail Support section of the configuration program.

**Table 8–10 Configuration Information: X.29 and P.S.I. Mail Support (All Systems)**

Information required	Form in which it is required	Where to find it	Default
X.29 support	Yes or No	You select	Yes
P.S.I. Mail support	Yes or No	You select	Yes
P.S.I. Mail account user name <sup>1</sup>	Max. 31 characters	You supply	No

<sup>1</sup> You are asked for this information only if you request P.S.I. Mail support.

Table 8–11 lists the information you need to complete the Server Clients section of the configuration program.

**Table 8–11 Configuration Information: Server Client Nodes (Connector Systems Only)**

Information required	Form in which it is required	Where to find it	Default
Name	Max. 32 characters	You supply	CLIENT- <i>n</i>
Node name	Max. 32 characters	You supply	–
Filter names	Max. 32 characters	You supply	–

## Configuring X.25 for OpenVMS VAX

### 8.6 Required Configuration Data

Table 8–12 lists the information you need to complete the Applications section of the configuration program.

**Table 8–12 Configuration Information: Applications (All Systems)**

Information required	Form in which it is required	Where to find it	Default
Name	Max. 32 characters	You supply	APPLICATION- <i>n</i>
Type	X.25, X.29, or X.29 Login	You select	X.25
Command file to start application <sup>1</sup>	OpenVMS file name	You supply	–
User name for application <sup>1</sup>		You supply	–
Filter names	Max. 32 characters	You supply	–

<sup>1</sup>You are not asked for this information if the application type is X.29 login

Table 8–13 lists the information you need to complete the Declaring a Network Process section of the configuration program.

**Table 8–13 Configuration Information: Declaring a Network Process (All Systems)**

Information required	Form in which it is required	Where to find it	Default
Dynamic filters?	Yes or No	You supply	Yes
Dynamic filter names	Max. 32 characters	You supply	–
Static filters?	Yes or No	You supply	Yes
Filter names	Max. 32 characters	You supply	–

## Configuring X.25 for OpenVMS VAX 8.6 Required Configuration Data

Table 8–14 lists the information you need to supply when you create filters in the Applications, Declaring a Network Process, and Server Clients sections of the configuration program.

**Table 8–14 Configuration Information: Filters — for Applications and Network Processes (All Systems) and Server Clients (Connector Systems Only)**

Information required	Form in which it is required	Where to find it	Default
Name	Max. 32 characters	You supply	FILTER- <i>n</i>
Priority	Decimal number	You supply	1
Incoming DTE address	Max. 15 digits	You supply	–
Call data value	Hexadecimal digits	You supply	–
Call data mask	Hexadecimal digits	You supply	–
Subaddress range	Range of numbers	You supply	–
DTE class	Max. 32 characters	You supply	–
Sending DTE address	Max. 15 digits	You supply	–
Receiving DTE address	Max. 15 digits	You supply	–
Group name	Max. 32 characters	You supply	–
Originally called address	Max. 15 digits	You supply	–
Redirect reason	One of: Not specified Busy Out of order Systematic	You supply	Not specified
Called address extension value	Hexadecimal digits	You supply	–
Called address extension mask	Hexadecimal digits	You supply	–
Called NSAP	Hexadecimal digits	You supply	–

## Configuring X.25 for OpenVMS VAX

### 8.6 Required Configuration Data

Table 8–15 lists the information you need to complete the Templates section of the configuration program.

**Table 8–15 Configuration Information: Templates (All Systems)**

Information required	Form in which it is required	Where to find it	Default
Name	Max. 32 characters	You supply	TEMPLATE- <i>n</i>
DTE class	Max. 32 characters	You supply	–
Call data	Hexadecimal digits	You supply	–
Packet size	Hexadecimal digits	You supply	–
Window size	Decimal number	You supply	–
Destination DTE address	Max. 15 digits	You supply	–
Fast select option	One of: Not specified Fast select With response No fast select	You supply	Not specified
Reverse charging	Yes or No	You supply	No
Selected group	Max. 32 characters	You supply	–
Throughput class request	A range of values, the max. and min. to be chosen from: 0, 75, 150, 300, 600, 1200, 2400, 4800, 9600, 19200, 48000	You supply	{0..0}
Network user identity	Max. 32 characters	You supply	–
Local facilities	Max. 32 characters	You supply	–
Charging information	Yes or No	You supply	No
RPOA sequence	Decimal number	You supply	–
Local subaddress	Decimal number	You supply	–
Target address extension	Hexadecimal digits	You supply	–
NSAP mapping	Yes or No	You supply	No
Calling address extension	Hexadecimal digits	You supply	–
Transit delay selection	Decimal number	You supply	–
End-to-end delay	Decimal number	You supply	–
Quality of service	Max. 32 characters	You supply	–
Expedited data option	One of: Not specified Use Do not use	You supply	Not specified

## Configuring X.25 for OpenVMS VAX 8.6 Required Configuration Data

Table 8–16 lists the information you need to complete the Incoming Security for Applications section of the configuration program.

**Table 8–16 Configuration Information: Incoming Security for Applications (All Systems)**

Information required	Form in which it is required	Where to find it	Default
Select an application	–	You supply	–
DTE addresses of systems that can call this application only if the remote system is charged for the call	Max. 15 digits <sup>1</sup>	You supply	–
DTE addresses of systems that can call this application irrespective of who pays for the call	Max. 15 digits <sup>1</sup>	You supply	–
DTE addresses of systems that cannot call this application	Max. 15 digits <sup>1</sup>	You supply	* <sup>2</sup>

<sup>1</sup>The value required is a remote address prefix (RAP). This can be a full DTE address, or it can be an address prefix, which would stand for all DTEs with an address beginning with this prefix.

<sup>2</sup>The wildcard character (\*) means all unspecified DTEs. If you enter the wildcard character to stand for DTEs that have Remote Charge or All access, there is no default for this value, and the only DTEs that are not allowed access are those that you specify explicitly.

## Configuring X.25 for OpenVMS VAX

### 8.6 Required Configuration Data

Table 8–17 lists the information you need to complete the Outgoing Security for Local Processes section of the configuration program.

**Table 8–17 Configuration Information: Outgoing Security for Local Processes (All Systems)**

Information required	Form in which it is required	Where to find it	Default
Enter a rights identifier	–	You supply	–
DTE addresses of systems that can be called by processes with this rights identifier only if they pay for the call	Max. 15 digits <sup>1</sup>	You supply	–
DTE addresses of systems that can be called by processes with this rights identifier irrespective of who pays for the call	Max. 15 digits <sup>1</sup>	You supply	–
Names of PVCs that can be accessed by processes with this rights identifier <sup>3</sup>	Max. 32 characters	You supply	–
DTE addresses of systems that cannot be called by processes with this rights identifier <sup>3</sup>	Max. 15 digits <sup>1</sup>	You supply	* <sup>2</sup>
Names of PVCs that cannot be accessed by processes with this rights identifier <sup>3</sup>	Max. 32 characters	You supply	* <sup>2</sup>

<sup>1</sup>The value required is a remote address prefix (RAP). This can be a full DTE address, or it can be an address prefix, which would stand for all DTEs with an address beginning with this prefix.

<sup>2</sup>The wildcard character (\*) means all unspecified DTEs or PVCs. If you enter the wildcard character to stand for DTEs or PVCs that have Remote Charge or All access, there is no default for these values, and the only DTEs or PVCs that are not allowed access are those that you specify explicitly.

<sup>3</sup>You are asked for this information only if PVCs have been set up.

## Configuring X.25 for OpenVMS VAX 8.6 Required Configuration Data

Table 8–18 lists the information you need to complete the Incoming Security for Network Processes section of the configuration program.

**Table 8–18 Configuration Information: Incoming Security for Network Processes (All Systems)**

Information required	Form in which it is required	Where to find it	Default
Select a filter	–	You supply	–
DTE addresses of systems that can call access this filter only if remote system is charged for the call	Max. 15 digits <sup>1</sup>	You supply	–
DTE addresses of systems that can access this filter irrespective of who pays for the call	Max. 15 digits <sup>1</sup>	You supply	–
DTE addresses of systems that cannot access this filter	Max. 15 digits <sup>1</sup>	You supply	* <sup>2</sup>

<sup>1</sup>The value required is a remote address prefix (RAP). This can be a full DTE address, or it can be an address prefix, which would stand for all DTEs with an address beginning with this prefix.

<sup>2</sup>The wildcard character (\*) means all unspecified DTEs. If you enter the wildcard character to stand for DTEs that have Remote Charge or All access, there is no default for this value, and the only DTEs that are not allowed access are those that you specify explicitly.

Table 8–19 lists the information you need to complete the Incoming Security for Server Clients section of the configuration program.

**Table 8–19 Configuration Information: Incoming Security for Server Clients (Connector Systems Only)**

Information required	Form in which it is required	Where to find it	Default
Select a server client	–	You supply	–
DTE addresses of systems that can call the client systems associated with this server client only if remote system is charged for the call	Max. 15 digits <sup>1</sup>	You supply	–
DTE addresses of systems that can call the client systems associated with this server client irrespective of who pays for the call	Max. 15 digits <sup>1</sup>	You supply	–
DTE addresses of systems that cannot call the client systems associated with this server client	Max. 15 digits <sup>1</sup>	You supply	* <sup>2</sup>

<sup>1</sup>The value required is a remote address prefix (RAP). This can be a full DTE address, or it can be an address prefix, which would stand for all DTEs with an address beginning with this prefix.

<sup>2</sup>The wildcard character (\*) means all unspecified DTEs. If you enter the wildcard character to stand for DTEs that have Remote Charge or All access, there is no default for this value, and the only DTEs that are not allowed access are those that you specify explicitly.

## Configuring X.25 for OpenVMS VAX

### 8.6 Required Configuration Data

Table 8–20 lists the information you need to complete the Outgoing Security for Client Systems section of the configuration program.

**Table 8–20 Configuration Information: Outgoing Security for Client Systems (Connector Systems Only)**

Information required	Form in which it is required	Where to find it	Default
Client system	Max. 400 characters	You supply	–
Security name for client system	Max. 32 characters	You supply	–
DTE addresses of systems that can be called by this client system only if the remote systems pay for the call	Max. 15 digits <sup>1</sup>	You supply	–
DTE addresses of systems that can be called by this client system irrespective of who pays for the call	Max. 15 digits <sup>1</sup>	You supply	–
Names of PVCs that can be accessed by this client system <sup>3</sup>	Max. 32 characters	You supply	–
DTE addresses of systems that cannot be called by this client system <sup>3</sup>	Max. 15 digits <sup>1</sup>	You supply	* <sup>2</sup>
Names of PVCs that cannot be accessed by this client system <sup>3</sup>	Max. 32 characters	You supply	– <sup>1</sup>

<sup>1</sup>The value required is a remote address prefix (RAP). This can be a full DTE address, or it can be an address prefix, which would stand for all DTEs with an address beginning with this prefix.

<sup>2</sup>The wildcard character (\*) means all unspecified DTEs or PVCs. If you enter the wildcard character to stand for DTEs or PVCs that have Remote Charge or All access, there is no default for these values, and the only DTEs or PVCs that are not allowed access are those that you specify explicitly.

<sup>3</sup>You are asked for this information only if PVCs have been set up.



## 8.7 Verifying the Configuration

This section explains how to run the X.25 configuration test program (CTP).

---

**Note**

---

Before you can test the X.25 configuration, you must run the `net$configure` configuration procedure (in either BASIC or ADVANCED mode) to configure the system on the network.

---

You use the configuration test program (CTP) to check any synchronous DTEs (and associated PVCs) that your system uses to make or receive calls.

You can operate the CTP in one of three modes:

- Send/Receive
- Receive Only
- Send Only

In Send/Receive mode, you can do two types of testing:

- Loopback testing, in which calls are sent to the PSDN and then looped back to your system. The PSDN used for the CTP must allow loopback from the network to your system.
- Testing to a remote DTE, in which calls are sent to and received from a remote DTE.

In Receive Only and Send Only modes, you can only test to a remote DTE.

### 8.7.1 Preparing to Run the CTP

This section describes the checks you must make before running the CTP.

#### Privileges Required

- NETMBX
- TMPMBX
- WORLD
- CMKRNL
- DETACH
- SYSPRV

#### System Quotas Required

- ASTLM = 100
- BIOLM = 100
- BYTLM = 40000
- BIOLM = 100
- TQELM = 30

## Configuring X.25 for OpenVMS VAX

### 8.7 Verifying the Configuration

#### X.25 Software

- The X.25 optional software must be configured and running on your system.
- The DTE you want to use to make and receive calls must be up and running. To check, enter the following commands.

#### Direct Connect or Connector system:

```
ncl> show x25 protocol dte dte-name state
```

#### Client system:

```
ncl> show node connector-node-id -  
_ncl> x25 protocol dte dte-name state
```

If the status of your DTE is not shown as RUNNING, wait for 2 minutes and try again. If your DTE is still not RUNNING, refer to the *HP X.25 for OpenVMS Problem Solving* manual.

#### Remote System

- The remote system must have VAX P.S.I. V4.3 or later configured and running.
- You must know the DTE address and subaddress of the remote system.

### 8.7.2 Running the CTP

You can run the CTP either interactively or as a network object. When the CTP is set up as a network object, it can only handle incoming calls (either from a remote system or calls that have been looped back from the PSDN).

#### 8.7.2.1 Running the CTP Interactively

Enter the following command:

```
$ run sys$test:psi$ctp
```

After some introductory screens, you are asked if you want to run the CTP in Send/Receive mode, Receive Only mode, or Send Only mode.

- If you run the CTP in Send/Receive mode, you can test your system's ability to communicate with a PSDN (loopback testing) or with remote systems.
- If you run the CTP in Receive Only mode or Send Only mode, you can test your system's ability to make calls to or receive calls from remote systems.

#### 8.7.2.2 Running the CTP as a Network Object

Enter the following command:

```
$ mcr ncl @sys$test:psi$ctp_add_netobj
```

To run the CTP as a network object automatically when you start the X.25 software, you should add the above line to `psi$startup.com`.

To remove the CTP as a network object, enter the following command:

```
$ mcr ncl @sys$test:psi$ctp_rem_netobj
```

## 8.8 Modifying the Configuration

To modify an existing configuration:

- Run `psi$configure` (Section 8.4.1).
- At the main menu, choose **Modify an existing configuration script**.
- The next screen is the Sections Menu, from which you can modify, add to, or delete any of the information entered previously.

---

**Note**

---

When you run the configuration program to modify your existing configuration, the configuration program retrieves the information you supplied the last time you ran the program.

If you manually changed the NCL script produced by the configuration program, or if you dynamically changed your configuration by issuing NCL commands interactively, this changed information is lost when you modify an existing configuration, unless you quit the program (by pressing the `F8` key) before asking it to create the NCL script.

---

## 8.9 Creating a New X.25 Configuration

To delete your existing configuration and create a new set of NCL scripts:

- Run `psi$configure.com` (Section 8.4.1).
- At the main menu, choose **Create a new configuration script**.



# Part IV

---

## Installing X.25 for OpenVMS on OpenVMS I64 and OpenVMS Alpha Systems

Part IV describes the prerequisite steps necessary to install the HP X.25 for OpenVMS software on an OpenVMS I64 or OpenVMS Alpha system and the installation dialog used to install the software. It also serves as an introduction to the configuration tasks discussed in the *HP X.25 for OpenVMS Configuration* manual.

It contains the following chapters:

- Chapter 9 — Preparing to Install X.25 for OpenVMS
- Chapter 10 — Installing X.25 for OpenVMS
- Chapter 11 — X.25 Post-installation and Configuration Tasks



---

## Preparing to Install X.25 for OpenVMS

### 9.1 Product Description

The HP X.25 for OpenVMS software enables appropriately configured systems to connect to an X.25 packet switched data network (PSDN) via an X.25 relay node on the same local area network (LAN), via an X.25 connector node, or directly using a synchronous communications device. Full details of the features and facilities provided by X.25 for OpenVMS are provided in the Software Product Description. For more conceptual information on PSDNs, refer to the *DECnet-Plus for OpenVMS Introduction and User's Guide* manual.

Throughout the rest of this section, the product X.25 for OpenVMS is referred to as X.25.

### 9.2 Locating the Distribution Kit

To obtain the directory location of the X.25 or OpenVMS kit on the CD-ROM, refer to the *OpenVMS Software Product Library CD-ROM User's Guide* that accompanies the CD-ROM distribution kit.

Alternatively, complete the following steps:

1. To obtain the kit directory location of the X.25 for OpenVMS distribution files on the appropriate OpenVMS Software Product Library CD-ROM (media CD-ROM), do one of the following:
  - Use the CDMENU utility provided on the media CD-ROM.
  - View the CD-ROM master index file on the media CD-ROM.

For information about using the CDMENU utility and the CD-ROM files on the media CD-ROM, see the *Software Product Library CD-ROM User's Guide* which accompanies the media CD-ROM distribution kit. The media CD-ROM user guide and CD-ROM master index file are provided as online files in the [README] directory on the first media CD-ROM.

2. To determine if the appropriate CD-ROM is already mounted on your system, enter the following command:

```
$ show device dka400:
```

---

#### Note

---

The device DKA400 is used in examples in this document as the device where the appropriate CD-ROM has been mounted.

---

## Preparing to Install X.25 for OpenVMS

### 9.2 Locating the Distribution Kit

3. If the media CD-ROM containing the X.25 for OpenVMS kit is not mounted, insert the appropriate CD-ROM (write down the volume label) into an available CD-ROM drive. Enter the appropriate `mount` command to mount the media CD-ROM (omit the `/FOREIGN` qualifier):

```
$ mount dka400: label
```

where *label* is the volume label of the media CD-ROM.

4. Define the logical name `PCSI$SOURCE` to reference the appropriate kit directory on the Software Product Library Compact Disk. For example, if the X.25 for OpenVMS kit is located in the `[X25020]` directory on device `DKA400`, enter the following command:

```
$ define pcsi$source dka400:[x25020]
```

5. To verify the X.25 for OpenVMS kit name, use a `directory` command specifying the `PCSI$SOURCE` logical name:

```
$ directory pcsi$source:*.pcsi
```

### 9.3 Accessing the Online Release Notes

You should review the release notes for a description of new features, differences between multiple versions of X.25, and changes in the installation procedure.

To access the release notes, issue the following command:

```
$ product extract release_notes x25 /file=filename
```

In the above example, it is assumed that the logical name `PCSI$SOURCE` properly references the directory location of the X.25 kit. Details on how to determine the directory location of the X.25 kit are provided in Section 9.2.

The product selected is displayed and you are prompted to continue with the extraction.

To extract the release notes, type `YES` and press Return. The release notes are written to the specified file, which you can display or print.

If you do not use the `/FILE` qualifier to define the required location of the extracted release notes, the release notes are extracted into the file `default.pcsi$release_notes` in the current directory.

To cancel the extraction, type `NO` and press Return.

---

#### Note

---

After X.25 and WANDD are installed, the release notes file is located in `sys$help` in the form of:

```
x25*release_notes.*
wandd*release_notes.*
```

---



## 9.4 Time Required for Installation and Configuration

The time required to complete the X.25 for OpenVMS installation and configuration procedures depends on the configuration option used (BASIC or ADVANCED), the CPU type, and your system configuration.

The time required to install and configure X.25 for OpenVMS can vary from 15 minutes to 1 hour, depending on the combination of choices you make from the above options.

## 9.5 Required Hardware

The X.25 for OpenVMS installation process requires the following hardware:

- A CD reader
- A terminal

You can use either a hardcopy or video terminal to communicate with the operating system and respond to prompts from the installation procedure.

Refer to the *OpenVMS Operating System for I64, Alpha and VAX Software Product Description (SPD 25.01.xx)* for hardware requirements and processor support for the hardware requirements for the X.25 for OpenVMS software.

If you intend to access a PSDN directly, an appropriate synchronous interface card is required. For details of the synchronous communications devices supported, refer to the System Support Addendum (SSA). The SSA is supplied with the X.25 Software Product Description (SPD) on the Media CD.

## 9.6 Prerequisite Software

For information about the latest version of X.25 for OpenVMS and its software dependences, see the *HP X.25 for OpenVMS Software Product Description (SPD)*.

During the installation of X.25, the process checks for the required DECnet-Plus and WANDD software. If the DECnet-Plus software is not present, you are prompted to install it before proceeding. If the WANDD software is not present, the X.25 installation procedure automatically installs it. Note that X.25 **cannot** be run without the DECnet-Plus for OpenVMS software.

## 9.7 License Requirements

Before you run X.25 on a newly licensed node, you must first register a License Product Authorization Key (License PAK) using the License Management Facility (LMF). The License PAK may be shipped along with the kit if you ordered the license and media together; otherwise, it is shipped separately to a location based on your license order. If you are installing X.25 as an update on a node already licensed for this software, you have already completed the License PAK registration requirements.

For information on using LMF, refer to the *OpenVMS License Management Utility Manual*.

If you are installing prerequisite or optional software along with X.25, review the PAK status and install the PAKs for any prerequisite or optional software before you install X.25.

## Preparing to Install X.25 for OpenVMS

### 9.7 License Requirements

You must register and load your license for X.25 to use the software. The X.25 license is required if you want to:

- Use X.25 applications.
- Allow incoming X.29 logins.
- Use X.25 over a synchronous communications line.

A DECnet-Plus license allows the use of:

- X.25 over LLC2 for DECnet routing over X.25 or to provide Connection-Oriented Network Service (CONS) for OSI transport
- DECnet routing over DEC HDLC (High-level Data Link Control) over a synchronous communications line

The X.25 product can be installed and used on a system using the PAK associated with the retired X.25 Client product. If you are installing the X.25 product on such a system, remove the X.25 Client product before installing the X.25 product.

Full details of the licensing requirements are provided in the Software Product Description (SPD) on the media CD.

#### 9.7.1 Checking Licenses

To determine if an X.25 license is registered, enter the following DCL command:

```
$ show license x25* 
```

If the system does not have the required licenses, obtain the Product Authorization Key (PAK) and register the license. For instructions on registering a license, refer to the *OpenVMS License Management Utility Manual*.

## 9.8 System Requirements

Before you install the X.25 for OpenVMS software, make sure that your system meets the following requirements.

#### 9.8.1 Disk Space

Installing X.25 and WANDD on your system requires approximately 30,000 blocks of free disk storage space (15,000 blocks for OpenVMS Alpha). This figure includes space to store the Release Notes in `sys$help:`.

To determine the amount of free disk space on the current system disk, enter the following command at the DCL prompt:

```
$ show device sys$sysdevice
```

If necessary, create enough free disk space to accommodate the installation of X.25.

## 9.8.2 Required System Parameters

The X.25 for OpenVMS software shares the same system parameter requirements as the DECnet-Plus for OpenVMS software. See Section 1.7.3 for a list of DECnet-Plus for OpenVMS system requirements.

## 9.8.3 Required Privileges and Rights Identifiers

HP recommends that you install and configure X.25 for OpenVMS from the SYSTEM account. If you are configuring from another account, make sure the account has the following privileges and rights identifiers in place before you begin.

Required account privileges are as follows:

- CMKRNL
- NETMBX
- SYSPRV
- TMPMBX
- OPER
- SYSNAM
- WORLD

---

**Note**

The account cannot have the locked password (LOCKPWD) flag set.

---

Required rights identifiers are as follows:

- NET\$MANAGE
- NET\$SECURITY

---

**Note**

If your account has the BYPASS privilege, then you do not need to grant these rights identifiers.

---

To determine the default privileges of the installing account, log in and enter the following DCL command:

```
$ show process/privileges
```

## 9.9 Backing Up the System Disk

Use the OpenVMS BACKUP utility to make a copy of the system disk.

## Preparing to Install X.25 for OpenVMS

### 9.10 Notifying Users

#### 9.10 Notifying Users

Inform users on the system that you plan to install a product and that they must log out.

First, prevent nonprivileged users from logging in to the system:

```
$ set logins/interactive=0
```

Next, use the `reply/all` command and be sure to indicate the exact time you plan to begin running the POLYCENTER Software Installation utility. For example:

```
$ reply/all "Installing X.25 software at 18:00; Please log out."
```

If possible, give users an estimated time when they will be able to log in to the system.

---

## Installing X.25 for OpenVMS

This chapter describes the tasks necessary for installing the HP X.25 for OpenVMS software on an OpenVMS I64 or OpenVMS Alpha system. It also describes how to display a list of the files installed on your system during X.25 installation.

### 10.1 Recommended Order for Installing Software

The following list describes the order in which you should install the DECnet-Plus for OpenVMS and X.25 for OpenVMS software.

If you choose to install all the software products at the same time, install and configure the OpenVMS operating system and layered products in the following order, referring to the appropriate documentation. For a quick reference, see Figure 10–1. **After OpenVMS has been installed**, perform the following steps:

1. Locate the distribution kit. Access the online Release Notes. Verify required hardware.  
See Sections 9.2 through 9.5.
2. Verify that all prerequisite software and licenses are installed.  
See Sections 9.6 and 9.7.
3. Back up the system disk. Shut down all network-related applications and tell users to log out.  
See Sections 9.9 and 9.10.
4. Install DECnet-Plus for OpenVMS.  
See Section 3.3.
5. If necessary, set any required system parameters.  
See Section 1.7.
6. **Reboot the system.**
7. Install X.25 for OpenVMS and WANDD, if necessary.  
See Chapter 9 and this chapter.
8. Configure DECnet-Plus for OpenVMS.  
See Chapter 4 to determine which configuration option to choose: FAST, BASIC, or ADVANCED.  
For a FAST configuration, see Chapter 5. For BASIC and ADVANCED configurations, see Chapter 6.
9. Configure X.25 for OpenVMS.  
See the *HP X.25 for OpenVMS Configuration* manual. See Chapter 11 for a quick summary.

## **Installing X.25 for OpenVMS**

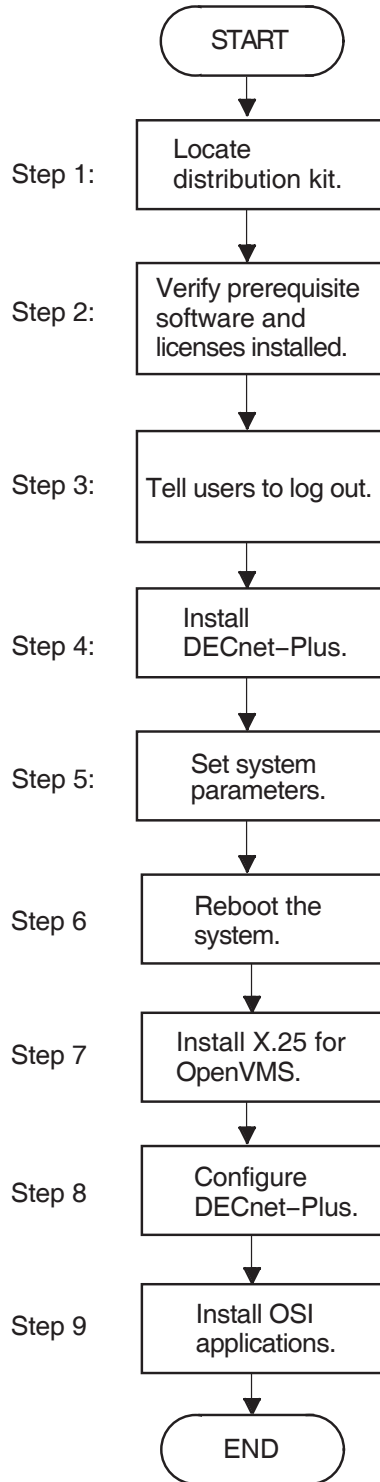
### **10.1 Recommended Order for Installing Software**

10. Install and configure the OSI Applications (FTAM, VT, and OSAK).  
See Chapter 12 and Chapter 13.

# Installing X.25 for OpenVMS

## 10.1 Recommended Order for Installing Software

Figure 10–1 Installation and Configuration Flowchart



LKG-8982-96R

## Installing X.25 for OpenVMS

### 10.2 PCSI Process Account Quotas

## 10.2 PCSI Process Account Quotas

The POLYCENTER Software Installation (PCSI) utility requires that the installation account has, as a minimum, the quotas shown in Table 10–1.

**Table 10–1 Process Quotas for the Installing Account**

Quota	Value
ASTLM	24
BIOLM	18
BYTLM	32768
DIOLM	18
ENQLM	200
FILLM	100

Use the OpenVMS Authorize utility to verify and change process quotas for the installation account in the user authorization file (*sysuaf.dat*). (Some sites may restrict the use of the OpenVMS Authorize utility to certain accounts or people.)

For example, to verify and then change the BYTLM quota for the *account-name* installation account, enter the following command sequence:

To...	Enter...
Invoke the Authorize utility	<code>\$ run sys\$system:authorize</code>
Show the account quotas	<code>UAF&gt; showaccount-name</code>
Modify the BYTLM quota	<code>UAF&gt; modify account-name /BYTLM = 32768</code>
Exit from the Authorize utility	<code>UAF&gt; exit</code>
Log out	<code>\$ logout</code>

After you verify and change the quotas for the installation account, log out of the installation account and log in again. The new quotas will take effect and you can proceed with the installation.

User account quotas are stored in the file *sysuaf.dat*. For more information about modifying account quotas, see the description of the Authorize utility in the OpenVMS system management documentation subkit.

## 10.3 Installing HP X.25 for OpenVMS Using PCSI

This section describes the steps for installing X.25 software using the POLYCENTER Software Installation (PCSI) utility. You must have SYSPRV privileges on the local or remote node where you want to run this utility.

This section also provides an annotated example that shows the prompt and response sequence presented when the POLYCENTER Software Installation utility is run to de-install X.25.



### 10.3.1 X.25 for OpenVMS I64 Installation Dialog

This example shows a typical prompt and response sequence when installing both the X.25 software and the WANDD software on an OpenVMS I64 system. It assumes that OpenVMS and DECnet-Plus are already installed on the target system.

To start the installation, follow these steps:

1. Log in to the SYSTEM account.
2. Mount the Software Products Library media CD-ROM, locate the X.25 distribution directory, and define the PCSI\$SOURCE logical name to reference the directory. See Section 9.2 for information about locating the distribution kit.
3. Enter the following command:

```
$ product install x25,wandd
```

For a description of all the features you can request when starting an installation (such as purging files and using a product configuration file), refer to DCL help for the `product install` command.

The actual kit location may change with new releases. See Section 9.2 for information about locating the distribution kit.

You are then prompted for installation information as in the following example. In this example, numbered callouts ( 1 , 2 , 3 , . . . ) guide you through the sequence of steps that require your response.

```
$ product install wandd,x25 
The following product has been selected:
  HP I64VMS WANDD V2.0           Layered Product
  HP I64VMS X25 V2.0            Layered Product
1 Do you want to continue? [YES] 
Configuration phase starting ...

You will be asked to choose options, if any, for each selected product and for
any products that may be installed to satisfy software dependency requirements.

HP I64VMS WANDD V2.0: X.25 V2.0 for OpenVMS
- WAN Device Drivers

Copyright 2005 Hewlett-Packard Development Company, L.P.
Hewlett-Packard Company

2 Do you want the defaults for all options? [YES] 
3 Do you want to review the options? [NO] Yes 
HP I64VMS WANDD V2.0: X.25 V2.0 for OpenVMS
- WAN Device Drivers
HP I64VMS VMS V8.3 [Installed]
HP I64VMS DECNET_PLUS V8.3 [Installed]

4 Are you satisfied with these options? [YES]
HP I64VMS X.25 V2.0: X.25 V2.0 for OpenVMS

Copyright 2005 Hewlett-Packard Development Company, L.P.
Hewlett-Packard Company

2 Do you want the defaults for all options? [YES] 
5 This product uses the PAKs: <X25> or <X25-CLIENT>
```

## Installing X.25 for OpenVMS

### 10.3 Installing HP X.25 for OpenVMS Using PCSI

An X.25 License PAK should be loaded before continuing installation

```
3 Do you want to review the options? [NO] YES 
HP I64VMS X.25 V2.0: X.25 V2.0 for OpenVMS
  HP I64VMS VMS V8.3 [Installed]
  HP I64VMS DECNET_PLUS V8.3 [Installed]
  HP I64VMS WANDD V2.0: X.25 V2.0 for OpenVMS
    - WAN Device Drivers
  X.29 Support: YES
  X.25 Relay Client Support: YES
  X.25 over TCP/IP Support: YES
  X.25 Mail Support: YES
  X.25 Mail Default Security: YES

4 Are you satisfied with these options? [YES]

Execution phase starting ...

The following products will be installed:
  HP I64VMS WANDD V2.0           Layered Product
  HP I64VMS X25 V2.0            Layered Product

Portion done: 0%...10%...20%...30%...40%...50%...60%...70%...80%...90%...100%

The following products have been installed:
  HP I64VMS WANDD V2.0           Layered Product
  HP I64VMS X25 V2.0            Layered Product

$
```

#### Notes on Prompt and Response Sequence

- 1 At this point, you can stop the installation process. If you want to continue, press Return. If you want to stop, type NO, then press Return.
- 2 To accept the default values for the available installation options, press Return.  
To enter values other than the default values, type NO and press Return. In this case, the installation procedure prompts you to enter values for each of the installation options.
- 3 Responding YES to this question displays the currently selected values for the installation options and prompts you to verify that the selections are correct. If you do not want to view and confirm the options selected, press Return to accept the default NO response.
- 4 Responding NO to this question causes the procedure to reprompt you to enter values for each of the installation options. If you are satisfied with the options, press Return to accept the default YES response.
- 5 The X.25 License PAK must be registered and loaded before X.25 can be started. Details about registering the X.25 License PAK are given in Section 9.7. If the X.25 License PAK is not loaded before completing the installation, `x25$startup` (which is normally run automatically at the end of the installation) must be run manually after loading the License PAK. The WANDD software does not require a separate license PAK.

### 10.3.2 X.25 for OpenVMS Alpha Installation Dialog

This example shows a typical prompt and response sequence when installing both the X.25 software and the WANDD software on an OpenVMS Alpha system. It assumes that OpenVMS and DECnet-Plus are already installed on the target system.

To start the installation, follow these steps:

1. Log in to the SYSTEM account.
2. Mount the Software Products Library media CD-ROM, locate the X.25 distribution directory, and define the PCSI\$SOURCE logical name to reference the directory. See Section 9.2 for information about locating the distribution kit.
3. Enter the following command:

```
$ product install x25,wandd
```

For a description of all the features you can request when starting an installation (such as purging files and using a product configuration file), refer to DCL help for the `product install` command.

The actual kit location may change with new releases. See Section 9.2 for information about locating the distribution kit.

You are then prompted for installation information as in the following example. In this example, numbered callouts (1, 2, 3, ...) guide you through the sequence of steps that require your response.

```
$ product install wandd,x25
```

```
The following product has been selected:
```

```
DEC AXPVMS WANDD V2.0          Layered Product
DEC AXPVMS X25 V2.0            Layered Product
```

```
1 Do you want to continue? [YES] 
```

```
Configuration phase starting ...
```

```
You will be asked to choose options, if any, for each selected product and for any products that may be installed to satisfy software dependency requirements.
```

```
DEC AXPVMS WANDD V2.0: X.25 V2.0 for OpenVMS
- WAN Device Drivers
```

```
Copyright 2005 Hewlett-Packard Development Company, L.P.
```

```
Hewlett-Packard Company
```

```
2 Do you want the defaults for all options? [YES] 
```

```
3 Do you want to review the options? [NO] Yes 
```

```
DEC AXPVMS WANDD V2.0: X.25 V2.0 for OpenVMS
- WAN Device Drivers
DEC AXPVMS VMS V8.3 [Installed]
DEC AXPVMS DECnet_OSI V8.3 [Installed]
```

```
4 Are you satisfied with these options? [YES]
```

```
DEC AXPVMS X.25 V2.0: X.25 V2.0 for OpenVMS
```

```
Copyright 2005 Hewlett-Packard Development Company, L.P.
```

```
Hewlett-Packard Company
```

```
2 Do you want the defaults for all options? [YES] 
```

```
5 This product uses the PAKs: <X25> or <X25-CLIENT>
```

## Installing X.25 for OpenVMS

### 10.3 Installing HP X.25 for OpenVMS Using PCSI

An X.25 License PAK should be loaded before continuing installation

3 Do you want to review the options? [NO] YES

```
DEC AXPVMS X.25 V2.0: X.25 V2.0 for OpenVMS
DEC AXPVMS VMS V8.3 [Installed]
DEC AXPVMS DECnet_OSI V8.3 [Installed]
DEC AXPVMS WANDD V2.0: X.25 V2.0 for OpenVMS
  - WAN Device Drivers
X.29 Support: YES
X.25 Relay Client Support: YES
X.25 over TCP/IP Support: YES
X.25 Mail Support: YES
X.25 Mail Default Security: YES
```

4 Are you satisfied with these options? [YES]

Execution phase starting ...

The following products will be installed:

```
DEC AXPVMS WANDD V2.0          Layered Product
DEC AXPVMS X25 V2.0           Layered Product
```

Portion done: 0%...10%...20%...30%...40%...50%...60%...70%...80%...90%...100%

The following products have been installed:

```
DEC AXPVMS WANDD V2.0          Layered Product
DEC AXPVMS X25 V2.0           Layered Product
```

\$

#### Notes on Prompt and Response Sequence

- 1 At this point, you can stop the installation process. If you want to continue, press Return. If you want to stop, type NO, then press Return.
- 2 To accept the default values for the available installation options, press Return.  
To enter values other than the default values, type NO and press Return. In this case, the installation procedure prompts you to enter values for each of the installation options.
- 3 Responding YES to this question displays the currently selected values for the installation options and prompts you to verify that the selections are correct. If you do not want to view and confirm the options selected, press Return to accept the default NO response.
- 4 Responding NO to this question causes the procedure to reprompt you to enter values for each of the installation options. If you are satisfied with the options, press Return to accept the default YES response.
- 5 The X.25 License PAK must be registered and loaded before X.25 can be started. Details about registering the X.25 License PAK are given in Section 9.7. If the X.25 License PAK is not loaded before completing the installation, X25\$STARTUP (which is normally run automatically at the end of the installation) must be run manually after loading the License PAK. The WANDD software does not require a separate license PAK.

### 10.3.3 X.25 for OpenVMS De-Installation Example

This example shows a typical prompt and response sequence when de-installing X.25.

```
1 $ product remove x25

The following product has been selected:
    DEC AXPVMS X25 V2.0                Layered Product

Do you want to continue? [YES] 

%PCSI-I-NOREF, product HP AXPVMS DECnet_OSI V8.3 is no longer referenced
-PCSI-I-NODEP, by another product as a software dependency requirement
-PCSI-I-REMLP, you can remove product DEC AXPVMS DECnet_OSI V8.3
2 Do you want to take this action? [NO] 
3 Do you want to continue? [YES] 

%PCSI-I-NOREF, product DEC AXPVMS WANDD V2.0 is no longer referenced
-PCSI-I-NODEP, by another product as a software dependency requirement
-PCSI-I-REMLP, you can remove product DEC AXPVMS WANDD V2.0
4 Do you want to take this action? [NO] yes 

The following products will be removed:
    DEC AXPVMS WANDD V2.0                Layered Product
    DEC AXPVMS X25 V2.0                  Layered Product

Portion done: 0%...10%...20%...30%...40%...50%...60%...70%...80%...90%...100%

The following products have been removed:
    DEC AXPVMS WANDD V2.0                Layered Product
    DEC AXPVMS X25 V2.0                  Layered Product

$
```

#### Notes on Prompt and Response Sequence

- 1 This command invokes the de-installation procedure for X.25 for OpenVMS.
- 2 Whenever all the dependencies on a product are removed, that product can also be removed. In this example, de-installing X.25 removes all the dependencies on DECnet-Plus for OpenVMS. You are, therefore, prompted whether to remove the specified version of DECnet-Plus in addition to X.25. To remove the specified product, type YES and press Return. Otherwise, press Return to accept the default NO response and leave DECnet-Plus installed on your system. This example assumes that you want to leave the DECnet-Plus software installed.
- 3 To continue with the de-installation, press Return. To terminate the de-installation, type NO and press Return. Type NO only if you decide not to de-install the product.
- 4 As is the case with the DECnet-Plus software, de-installing X.25 removes all the dependencies on the WANDD software. You are, therefore, prompted whether to remove the WANDD software in addition to X.25. To remove the specified product, type YES and press Return. Otherwise, press Return to accept the default NO response and leave the WANDD software installed on your system. This example assumes that you want to remove the WANDD software in addition to the X.25 software.

## Installing X.25 for OpenVMS

### 10.4 Files Installed on Your System

### 10.4 Files Installed on Your System

The X.25 installation procedure installs a number of files on your system. To list the files, enter the following command:

```
$ product show object /product=x25
```

---

## X.25 Post-Installation and Configuration Tasks

This chapter describes the tasks to complete after the HP X.25 for OpenVMS software has been installed on an OpenVMS I64 or OpenVMS Alpha system.

### 11.1 Configuring X.25 for OpenVMS

After X.25 has been installed, you need to configure your system.

You can use the DECnet-Plus configuration procedure (`net$configure.com`) to first configure X.25 and then configure DECnet over X.25. You can use either the BASIC or ADVANCED configuration option.

The following steps summarize what you need to do to complete an X.25 configuration:

1. Start the `net$configure` procedure.
2. Select Perform the entire configuration. This option steps you through a complete configuration of both DECnet-Plus and X.25.
3. Select the defaults for each of the questions by pressing Return after each question. When you see the question, Do you want to configure X.25? type YES and press Return.
4. Answer YES to the next several questions, then select either the X.25 BASIC or X.25 ADVANCED configuration.
5. Provide responses to the questions when prompted by the X.25 configuration program. This sets up your system using the information given to you by your X.25 provider (the X.25 Access service you are using).
6. When you have entered all the information required to configure your X.25 system, the X.25 configuration program saves all your information in a `config.dat` file (for example, `sys$startup:x25$basic_config.dat`).
7. After the X.25 configuration program saves your information, the X.25 portion of the configuration is complete. The X.25 configuration program then returns to the `net$configure` procedure, which is still in progress.
8. Enter the appropriate data link and routing circuit names to use when they are requested (you can also accept the defaults by pressing Return).
9. When the `net$configure` procedure asks Do you want to configure DECnet over X.25? type YES and press Return.
10. Select the type of X.25 circuit you want to use.
11. Enter the routing circuit name to use (or press Return for the default).
12. Enter the template name (or press Return for the default).
13. The `net$configure` procedure then continues with other configuration questions for different transports.

## X.25 Post-Installation and Configuration Tasks

### 11.1 Configuring X.25 for OpenVMS

When you have provided answers to all of the configuration questions, the procedure displays a summary of the configuration. It then redisplay the Configuration Options menu. At this point, the procedure is complete and you can exit.

Full details on how to configure the product are provided in the *HP X.25 for OpenVMS Configuration* manual.

### 11.2 Restart DECnet-Plus

You must restart DECnet-Plus before starting the X.25 software. To restart DECnet, enter the following command on each node:

```
$ @sys$startup:net$startup
```

### 11.3 Rebooting the System

After you have completed the required post-installation tasks, **reboot the system**.

X.25 software starts automatically when you reboot the system on which it is installed.

To start the X.25 software manually, enter the following command from the SYSTEM account:

```
$ @sys$startup:x25$startup.com
```

### 11.4 De-installing X.25 for OpenVMS

To de-install X.25 for OpenVMS, type the following command:

```
$ product remove x25
```

Invoking this command automatically removes the product files. Complete shutdown of X.25 does not occur until the system is next rebooted. An annotated example of the de-installation prompt and response sequence is provided in Section 10.3.3.

To invoke the shutdown procedure manually, enter the following command from the SYSTEM account:

```
$ @sys$startup:x25$shutdown.com
```

---

#### Note

---

You do not have to remove X.25 before re-installing the same or a different version. If a version of the product exists on the system where you are attempting to install the same or another version of the product, the PCSI utility warns you that a version of the product is already installed. You can then choose whether to continue with the installation.

---



# Part V

---

## Installing OSI Applications for OpenVMS Systems

Part V describes the prerequisite steps necessary to install the OSI applications software and the installation dialog used to install the software. It also describes how to configure the FTAM and VT applications.

It contains the following chapters:

- Chapter 12 — Preparing to Install the OSI Applications
- Chapter 13 — Installing the OSI Applications
- Chapter 14 — Configuring the OSI Applications

---

**Note**

---

DECnet-Plus **must** be installed and configured before installing the OSI applications.

---



---

## Preparing to Install the OSI Applications

### 12.1 Product Descriptions

#### OSAK

Open System Application Kernel (OSAK) is the DECnet-Plus implementation of the Open Systems Interconnection (OSI) upper layers. It provides OSI Session, Presentation, and Application services. These services are used by OSI applications such as FTAM, VT, X.400, and X.500. In addition, by using the OSAK programming interfaces that provide access to OSI Session, Presentation and Application layers, users can develop applications that layer on the DECnet-Plus implementation of the OSI stack.

#### FTAM

FTAM is an OSI product that implements the OSI File Transfer, Access, and Management standard ISO 8571 developed by the International Organization for Standards (ISO). Using FTAM, you can copy, append, delete, rename, and inspect the file attributes of local files, remote files, or both.

#### Virtual Terminal

DECnet-Plus Virtual Terminal is the DECnet-Plus implementation of the OSI Virtual Terminal standard. Virtual Terminal (VT) enables applications and systems supporting different types of terminals to interoperate with each other. Using VT, you can use your terminal to access any other system running VT, regardless of the type of system. You can also use the VT gateways for access to and from non-OSI systems.

### 12.2 Locating the Distribution Kit

To obtain the directory location of the DECnet-Plus kit on the CD-ROM, refer to the *OpenVMS Software Product Library CD-ROM User's Guide* that accompanies the CD-ROM distribution kit.

Alternatively, complete the following steps:

1. To obtain the kit directory location of the DECnet-Plus distribution files on the appropriate OpenVMS Software Product Library CD-ROM (media CD-ROM), do one of the following:
  - Use the CDMENU utility provided on the media CD-ROM.
  - View the CD-ROM master index file on the media CD-ROM.

For information about using the CDMENU utility and the CD-ROM files on the media CD-ROM, see the *Software Product Library CD-ROM User's Guide* which accompanies the media CD-ROM distribution kit. The media CD-ROM user guide and CD-ROM master index file are provided as online files in the [README] directory on the first media CD-ROM.

## Preparing to Install the OSI Applications

### 12.2 Locating the Distribution Kit

2. To determine if the appropriate CD-ROM is already mounted on your system, enter the following command:

```
$ show device dka400:
```

---

#### Note

---

The device DKA400 is used in examples in this document as the device where the appropriate CD-ROM has been mounted.

---

3. If the media CD-ROM containing the DECnet-Plus kit is not mounted, insert appropriate CD-ROM (write down the volume label) into an available CD-ROM drive. Enter the appropriate mount command to mount the media CD-ROM (omit the /FOREIGN qualifier):

```
$ mount dka400: label
```

where *label* is the volume label of the media CD-ROM.

4. Define the logical name PCSI\$SOURCE to reference the appropriate kit directory on the Software Product Library Compact Disk. For example, if the DECnet-Plus kit is located in the [DECNETPLUS083] directory on device DKA400, enter the following command:

```
$ define pcsi$source dka400:[decnetplus083]
```

5. To verify the DECnet-Plus kit name, use a directory command specifying the PCSI\$SOURCE logical name:

```
$ directory pcsi$source:*.pcsi
```

### 12.3 Accessing the Online Release Notes

The release notes for the OSI applications are provided as part of the DECnet-Plus release notes. You should review these release notes prior to installation because they describe new features and differences among multiple versions, as well as changes to the installation procedure.

To access the release notes, issue the command:

```
$ product extract release_notes decnet_osi /file=filename 
```

In the above example, it is assumed that the logical name PCSI\$SOURCE properly references the directory location of the DECnet-Plus kit. Details on how to determine the directory location of the DECnet-Plus kit are provided in Section 12.2.

The product selected is displayed and you are prompted whether to continue with the extraction.

To extract the release notes, type YES and press Return. The release notes are written to the specified file, which you can display or print.

To cancel the extraction, type NO and press Return.

---

#### Note

---

After DECnet-Plus is installed, the release notes file is located in `sys$help:decnet_plus-v*.release_notes`.

---

## 12.4 Time Required for Installation and Configuration

The time required to install and configure the OSI applications depends on the CPU type and your system configuration. In general, the procedure should require less than 15 minutes.

## 12.5 Required Hardware

The OSI applications installation procedure requires the following hardware:

- A CD-ROM reader
- A terminal

You can use either a hard copy or video terminal to communicate with the operating system and respond to prompts from the installation procedure.

Refer to the *OpenVMS Operating System for I64, Alpha and VAX Software Product Description (SPD 25.01.xx)* for hardware requirements and processor support for the OSI applications software.

## 12.6 Prerequisite Software

You must use the POLYCENTER Software Installation utility to install the OSI applications installation kit. This utility is provided as part of the operating system software.

To install FTAM and VT, you must first install DECnet-Plus, and then install OSAK. For information about software requirements for DECnet-Plus, see Section 1.5.

To run the VT/Telnet gateways, you must have the HP TCP/IP Services for OpenVMS installed on your system.

For specific information about the required versions of prerequisite software, see the *HP DECnet-Plus for OpenVMS Software Product Description*.

## 12.7 License Requirements

If you are installing prerequisite or optional software along with OSI applications, review the PAK status and install the PAKs for any prerequisite or optional software before you install the OSI applications.

The DVNETEND PAK is required to install DECnet-Plus. This PAK also allows you to install and run the base FTAM, VT, and OSAK applications.

To use the FTAM and VT gateways, you need the extended function license. The PAK names are:

- For I64 and Alpha systems: DVNETEXT
- For VAX systems: DVNETRTG

For additional information about the DECnet-Plus licenses (including the Foundation Operating Environment (FOE) license on OpenVMS for I64 Systems), see Section 1.6.

## Preparing to Install the OSI Applications

### 12.7 License Requirements

#### 12.7.1 Checking Licenses

To determine whether a DECnet-Plus license is registered, enter the following DCL command:

```
$ show license dvnet* 
```

If the system does not have the required licenses, obtain the Product Authorization Key (PAK) and register the license. For instructions on registering a license, refer to the *OpenVMS License Management Utility Manual*.

## 12.8 System Requirements

Before you install the OSI application software, make sure that your system meets the following requirements.

#### 12.8.1 Disk Space

Table 12–1 shows the approximate minimum disk space required to install the individual OSI applications.

**Table 12–1 Minimum Disk Space Requirements**

Component	Blocks for I64	Blocks for Alpha	Blocks for VAX
OSAK	12300	6600	6000
FTAM	42700	31800	12000
VT	9800	3300	2000
<b>TOTAL</b>	<b>64800</b>	<b>41700</b>	<b>20,000</b>

To determine the number of free disk blocks on the current system disk, enter the following command at the DCL prompt:

```
$ show device sys$sysdevice 
```

If necessary, create enough free disk space to accommodate the installation of the OSI applications.

#### 12.8.2 Memory Requirements

To install and run the OSI applications, you must have sufficient free global memory. Table 12–2 shows the global memory requirements:

**Table 12–2 Required Global Pages, Global Pagelets and Sections**

Software	I64	Alpha	VAX
OSAK	7056 global pagelets	3296 global pagelets	1344 global pages
	11 global sections	6 global sections	13 global sections
FTAM	29440 global pagelets	5068 global pagelets	4402 global pages
	38 global sections	24 global sections	19 global sections
VT	5504 global pagelets	1136 global pagelets	422 global pages
	26 global sections	8 global sections	14 global sections

You must first find out your available system resources, and then use the AUTOGEN utility if you need to increase the global pages, global pagelets, or global sections system parameters. Do this as follows:

## Preparing to Install the OSI Applications

### 12.8 System Requirements

1. Use the WRITE command with the F\$GETSYI lexical function to find the number of free global pages and global sections. The following example shows how to get this information at your terminal (the default for sys\$output):

```
$ write sys$output f$getsysi("contig_gblpages") 
15848
$ write sys$output f$getsysi("free_gblsects") 
24
```

2. Compare the values displayed with those required for the OSI applications:
  - If the values displayed by the system are greater than the values required for the OSI applications, you do not need to change the system parameter settings.
  - If one of the values is less than the value required for OSI applications, you must increase the system parameter setting using the AUTOGEN utility. Proceed to the next section.

#### 12.8.3 Required Privileges

HP recommends that you install and configure OSI applications from the SYSTEM account. If you are configuring from another account, make sure the account has the following privileges in place before you begin.

Required account privileges are as follows:

For OSAK:

- CMKRNL
- SETPRV

For FTAM and VT:

- SETPRV

To determine the default privileges of the installing account, log in and enter the following DCL command:

```
$ show process/privileges
```

#### 12.8.4 Process Quotas for OSAK\$SERVER\_V3 Account

The number of available global sections on the system limits the number of simultaneous connect requests that the OSAK software can support. OSAK buffers store each connect request in a global section until the intended application has either accepted or rejected it or does not accept an inbound connection within a given period, in which case the OSAK software rejects the connection on behalf of the application.

Table 12–3 summarizes the required process account quotas for the OSAK\$SERVER\_V3 process.

**Table 12–3 OSAK\$SERVER\_V3 Process Account Quotas**

Quota	Value
ASTLM	2 units for each global section + 10
ENQLM	1 unit for each OSI process
TQELM	2 units for each global section + 10

## Preparing to Install the OSI Applications

### 12.8 System Requirements

---

#### Note

---

The process running the OSAK software, OSAK\$SERVER\_V3, is started automatically by the installation procedure. Therefore, the installing account requires the process quotas shown in Table 13–1, as does the SYSTEM account if you start OSAK\$SERVER\_V3 in `systartup_vms.com`.

---

#### OSAK\$SERVER\_V3 Process Account Calculation Example

The following calculations determine the correct process account quota values for 20 global sections:

- For ASTLM: 20 global sections multiplied by 2 units + 10 = 50
- For TQELM: 20 global sections multiplied by 2 units + 10 = 50

Table 12–4 summarizes the minimum process account quotas required for processes that use the OSAK software.

**Table 12–4 Account Quotas for Processes that use OSAK Software**

Quota	Value
ASTLM	10
ENQLM	2
TQELM	10

Users of the OSI applications also need a minimum TMPMBX and NETMBX privileges.

Use the OpenVMS Authorize utility to verify and change process quotas and user privileges for the installation and user accounts in the user authorization file (`sysuaf.dat`). (Some sites may restrict the use of the OpenVMS Authorize utility to certain accounts or users.)

After you have changed the quotas for the installation account, log out of the installation account and log in again for the new quotas to take effect.

For more information on modifying account quotas, refer to the description of the Authorize utility in the OpenVMS system management documentation subkit.

## 12.9 Backing Up the System Disk

Use the OpenVMS BACKUP utility to make a copy of the system disk.

### 12.10 Notifying Users

Inform users on the system that you plan to install a product and that they must log out.

First, prevent nonprivileged users from logging in to the system:

```
$ set logins/interactive=0
```

Use the `reply/all` command and be sure to indicate the exact time you plan to begin running the POLYCENTER Software Installation utility. For example:

```
$ reply/all "Installing OSI applications software at 18:00; Please log out."
```



## Preparing to Install the OSI Applications 12.10 Notifying Users

If possible, give users an estimated time when they will be able to log in to the system.



---

## Installing the OSI Applications

This chapter describes how to install the optional OSI applications. These applications are:

- OSI Applications Kernel (OSAK)
- OSI File Transfer, Access, and Management (FTAM)
- OSI Virtual Terminal (VT)

It also includes how to list the files installed on your system during the OSI applications installation. See Section 13.9 for the list of commands.

---

### Note

Install the OSI applications only after you have installed DECnet-Plus for OpenVMS, rebooted, and configured the DECnet-Plus for OpenVMS base components.

---

### 13.1 PCSI Process Account Quotas

The POLYCENTER Software Installation utility requires that the installation account have the minimum the quotas shown in Table 13–1.

**Table 13–1 Process Quotas for the Installing Account**

Quota	Value
ASTLM	24
BIOLM	18
BYTLM	32768
DIOLM	18
ENQLM	200
FILLM	100

### 13.2 Starting Installation of the OSI Applications

Install the OSI applications using the POLYCENTER Software Installation DCL interface.

For a description of all the features you can request when starting an installation (such as purging files and using a product configuration file), refer to DCL help for the product `install` command.

To install the OSI applications, choose from the following commands.

## Installing the OSI Applications

### 13.2 Starting Installation of the OSI Applications

For OSAK only:

```
$ product install osak
```

For FTAM and VT:

```
$ product install ftam,vt
```

For FTAM only:

```
$ product install ftam
```

For VT only:

```
$ product install vt
```

### 13.3 Installing the OSI Applications

To install the OSI applications, log into the SYSTEM account and perform the following steps:

1. If you have previously installed the OSI applications on your system, be sure to shut down any FTAM, VT, or OSAK processes currently running by executing the appropriate shutdown procedures.

You must shut down FTAM and VT first, before shutting down OSAK.

- `$ @sys$startup:osif$stop`
- `$ @sys$startup:vt_stop`
- `$ @sys$startup:osak$stop`

2. De-install the OSI applications.

If you have previously installed the OSI applications on your system, then de-install the applications, using the `product remove` command:

```
$ product remove application 
```

*application* is FTAM, VT, or OSAK.

Note that you must de-install FTAM and VT before de-installing OSAK. See Section 13.11 for more information.

3. Mount the software CD-ROM.
4. Mount the Software Products Library media CD-ROM, locate the DECnet-Plus distribution directory, and define the PCSI\$SOURCE logical name to reference the directory. See Section 12.2 for information about locating the distribution kit.
5. Decide which products to install. You must install OSAK before installing FTAM or VT. You can install FTAM and VT either together or separately. See Section 13.2 for the OSAK, FTAM, and VT installation commands.
6. To install FTAM and VT together, type:

```
$ product install ftam,vt
```

---

#### Note

---

The following code examples are from an Alpha installation. A VAX installation varies slightly in the PAK name and in disk space requirements.

---

## Installing the OSI Applications

### 13.3 Installing the OSI Applications

7. The POLYCENTER Software Installation utility displays the selected products and requests confirmation. Press Return to continue, or enter NO to exit. The utility enters the configuration phase.

The following products have been selected:

DEC AXPVMS FTAM V3.2-P	Layered Product
DEC AXPVMS VT V2.1-K	Layered Product

Do you want to continue? [YES]

Configuration phase starting ...

You will be asked to choose options, if any, for each selected product and for any products that may be installed to satisfy software dependency requirements.

8. The POLYCENTER Software Installation utility displays the pre-installation messages for FTAM including the copyright notice, license notice, and OSAK notice, and asks if you want to continue.

DEC AXPVMS FTAM V3.2-P: DECnet-Plus for OpenVMS OSI File Transfer, Access, and Management (FTAM)

Copyright 2004 Hewlett-Packard Development Company, L.P.

This product uses the PAKS: DVNETEND and the Gateway requires DVNETEXT.

\* This product does not have any configuration options.

The DECnet-Plus OSAK software must be installed and started before running FTAM.

Do you want to continue? [YES]

9. The POLYCENTER Software Installation utility displays the pre-installation messages for VT including the copyright notice, license notice, OSAK notice, and gateway notice, and asks if you want to continue.

DEC AXPVMS VT V2.1-K: DECnet-Plus for OpenVMS Virtual Terminal

Copyright 2004 Hewlett-Packard Development Company, L.P.

VT requires the PAK DVNETEND, and the VT Gateways require DVNETEXT also.

\* This product does not have any configuration options.

OSAK must be installed and started before you can run VT.

Do you want to continue? [YES]

VT Gateways startup requires LAT and HP TCP/IP Services started first.

Do you want to continue? [YES]

10. The POLYCENTER Software Installation utility enters the execution phase, in which it installs the products, executes the startup command files, and runs the VT installation verification procedure (IVP). Note that the FTAM IVP is not run during this installation and must be run separately.

Execution phase starting ...

The following products will be installed to destination:

DEC AXPVMS FTAM V3.2-P	DISK\$OVMSYSTEM
DEC AXPVMS VT V2.1-K	DISK\$OVMSYSTEM

Portion Done: 0%...10%...20%...30%...40%...70%...80%...90%...100%

The following products have been installed:

DEC AXPVMS FTAM V3.2-P	Layered Product
DEC AXPVMS VT V2.1-K	Layered Product

## Installing the OSI Applications

### 13.3 Installing the OSI Applications

```
%PCSI-I-IVPEXECUTE, execute test procedure for DEC AXPVMS VT V2.1 ...
%PCSI-I-IVPSUCCESS, test procedure completed successfully
```

11. The POLYCENTER Software Installation utility displays the post-installation messages for FTAM and lists required system resources, configuration and IVP tasks you must complete, release notes location, and completion message.

```
DEC AXPVMS FTAM V3.2-P: DECnet-Plus for OpenVMS OSI File Transfer, Access,
and Management (FTAM)
```

The following messages are informational and indicate the amount of each resource used by FTAM.

```
This product requires the following SYSGEN parameters:
  GBLSECTIONS add 24
```

```
This product requires the following SYSGEN parameters:
  GBLPAGES add 5068
```

After installing DECnet-Plus FTAM you must do  
"\$ @SYS\$STARTUP:OSIF\$CONFIGURE.COM" to setup necessary accounts.

The DECnet-Plus FTAM IVP may be run at any time by doing  
"\$ @SYS\$TEST:OSIF\$IVP.COM"

To start FTAM on your system, do "@SYS\$STARTUP:OSIF\$STARTUP.COM".

Release notes are available in SYS\$HELP:DECNET\*.RELEASE\_NOTES

DECnet-Plus for OpenVMS FTAM Installation Completed

12. The POLYCENTER Software Installation utility displays the VT post-installation messages and lists release notes location, and completion message.

```
DEC AXPVMS VT V2.1-K: DECnet-Plus for OpenVMS Virtual Terminal
```

Previous VT\_SYSTART.COM changes are in SYS\$STARTUP:VT\_SYSTART.COM\_OLD

You can start VT by doing "@SYS\$STARTUP:VT\_START.COM"

Release notes are available in SYS\$HELP:DECNET\*.RELEASE\_NOTES

DECnet-Plus for OpenVMS Virtual Terminal Installation Completed

## 13.4 Starting Up and Shutting Down OSI Applications

The installation procedure for each OSI application executes the startup procedure automatically.

To enable automatic restart of the applications once you have installed them on your system, edit the system startup file (`sys$manager:systartup_vms.com`) and add the following command lines to the file, beginning with the OSAK command:

```
$ @sys$startup:osak$start.com ! OSAK startup command file
$ @sys$startup:osif$startup.com ! FTAM startup command file
$ @sys$startup:vt_start.com ! VT startup command file
```

See Section 13.3, Step 1, for instructions on shutting down the OSI applications.

## 13.5 The OSAK Installation Verification Procedure

The OSAK installation verification procedure (IVP) is run automatically during the installation. However, you can run it at any time by entering the following command:

```
$ @sys$test:osak_ivp
```

## Installing the OSI Applications

### 13.5 The OSAK Installation Verification Procedure

If the IVP runs successfully, you see the following:

```
Starting OSAK Installation Verification Procedure ...
OSAK Installation Verification Procedure completed successfully
```

If the IVP finishes with errors, you see a message similar to this:

```
OSAK Installation Verification Procedure completed with errors
```

In both cases, the OSAK software produces a log file called `osak$ivp.log` in the default directory, `sys$test`. If the IVP fails during installation, you can check the log file to help you identify the source of the problem. You can also forward the log file to HP to assist you when discussing the problem.

When you have finished running the IVP and you are sure that the OSAK software is properly installed, back up the system disk. Save the distribution kit for future installations.

### 13.6 Running the OSIF\$CONFIGURE.COM Procedure

Following the FTAM POLYCENTER Software Installation utility installation, you should execute the `osif$configure.com` procedure located in `sys$startup`. This procedure first verifies the existence of the `OSIT$DEFAULT` and `OSIGTWY` accounts, then asks whether you want to run the installation verification procedure (IVP).

If the procedure finds that either of the `OSIT$DEFAULT` and `OSIGTWY` accounts are not present, the procedure creates the accounts and prompts for user input. The IVP question is asked whether or not it was necessary to create accounts.

Following is an example of running the script on a system where the accounts already exist:

```
$ @sys$startup:osif$configure.com
This setup procedure will verify the existence of the OSIT$DEFAULT
and OSIGTWY accounts. If these accounts are not present, you will
be asked some questions about UIC and default device, as well as
being required to choose passwords from a computer generated list.

Do you wish to continue with this procedure [Yes] :
```

```
The OSIT$DEFAULT and OSIGTWY accounts are present. The OSIT$DEFAULT
account is useful as an account to specify when running the DECnet-Plus
FTAM IVP. The OSIGTWY account is the mechanism by which users may access
the DAP/FTAM Gateway. For more information about this Gateway, see the
FTAM Use and Management Guide.
```

```
DECnet-Plus FTAM setup complete.
```

```
Would you like to run the IVP [Yes] : No
```

### 13.7 The FTAM Installation Verification Procedure

You can verify the FTAM installation by running the FTAM installation verification procedure (IVP). The IVP is an internal test of the FTAM initiator and responder using the underlying OSI layers of the local system through the Network layer. This testing verifies that your installation can set up and accept an application association and its underlying presentation and session connections. The IVP tests the FTAM DCL commands on the local system and also exercises the DAP-FTAM Gateway.

## Installing the OSI Applications

### 13.7 The FTAM Installation Verification Procedure

The POLYCENTER Software Installation utility does not automatically run the IVP. You must do this manually.

The DCL commands tested by the IVP are:

- COPY/APPLICATION\_PROTOCOL=FTAM
- DIRECTORY/APPLICATION\_PROTOCOL=FTAM
- DELETE/APPLICATION\_PROTOCOL=FTAM
- RENAME/APPLICATION\_PROTOCOL=FTAM

#### 13.7.1 Preparing for the FTAM IVP

Before you run the IVP:

1. Ensure that the OSI transport is running and enabled. It should be running if you answered YES to the Configure the OSI Transport? question during the net\$configure procedure.
2. If you are running the IVP for the first time, be sure to run the osif\$configure.com beforehand. Instructions on running this procedure are in Section 13.6. The last question in the procedure asks if you want to run the IVP. To do so, type YES and press Return.

#### 13.7.2 Running the FTAM IVP

You can issue the IVP commands from any directory on the system. The IVP prompts you for an account and the corresponding password. The OSIT\$DEFAULT account is a reasonable choice since it is configured correctly. However, you may specify any valid account and password.

```
$ @sys$test:osif$ivp.com
DECnet-Plus FTAM Installation Verification Procedure
It is 20-APR-1995 at 10:50.
The DECnet-Plus FTAM IVP assigns the LOCAL_FTAM alias to be:
    ::RMS.FTAM.OSIF.%x21,template=osit$loop_clns:
The DECnet-Plus FTAM IVP copies a small data file, SYS$TEST:OSIF$IVP.TMP,
to LOCAL_FTAM::OSIFILE.TMP. The IVP requests a directory listing
of the new file, before copying it back to SYS$LOGIN:OSIF$IVP.CPY.
Next, the IVP requests a difference of the original file,
SYS$TEST:OSIF$IVP.TMP, and the second new file, SYS$LOGIN:OSIF$IVP.CPY.
The LOCAL_FTAM::OSIFILE.TMP file, that was originally copied is then
renamed to LOCAL_FTAM::OSIFILE.RNM. The IVP then deletes the two
new files.
To perform these actions, a valid username and password with
the following privileges must be supplied by the user:
    NETMBX, TMPMBX, SYSNAM, SYSLCK, PRMMBX
Please enter the USERNAME for use by the IVP: osit$default
Please enter the PASSWORD for use by the IVP:
    $ COPY /APPLICATION_PROTOCOL=FTAM /LOG SYS$TEST:OSIF$IVP.TMP
      LOCAL_FTAM"OSIT$DEFAULT password"::OSIFILE.TMP
%COPY-S-COPIED, SYS$COMMON:[SYSTEST]OSIF$IVP.TMP;1 copied to
::RMS.FTAM.OSIF.%x21,template=osit$loop_clns:"OSIT$DEFAULT password"::
SYS$COMMON:[OSIT$DEFAULT]OSIFILE.TMP;1 (403 records)
    $ DIRECTORY /APPLICATION_PROTOCOL=FTAM -
      LOCAL_FTAM"OSIT$DEFAULT password"::OSIFILE.TMP
```



## Installing the OSI Applications

### 13.7 The FTAM Installation Verification Procedure

```
Directory ::RMS.FTAM.OSIF.%x21,template=osit$loop_clns::
"OSIT$DEFAULT password"
SYS$COMMON:[OSIT$DEFAULT]OSIFILE.TMP;1
Total of 1 file.
$ COPY /APPLICATION_PROTOCOL=FTAM /LOG -
LOCAL_FTAM"OSIT$DEFAULT password"::OSIFILE.TMP -
SYS$LOGIN:OSIF$IVP.CPY
%COPY-S-COPIED, ::RMS.FTAM.OSIF.%x21,template=osit$loop_clns:"OSIT$DEFAULT
password"::SYS$COMMON:[OSIT$DEFAULT]OSIFILE.TMP;1 copied
to DKA100:[SMITH]OSIF$IVP.CPY;8 (403 records)
$ DIFFERENCE SYS$TEST:OSIF$IVP.TMP SYS$LOGIN:OSIF$IVP.CPY
Number of difference sections found: 0
Number of difference records found: 0
DIFFERENCES /IGNORE=()/MERGED=1-
SYS$COMMON:[SYSTEM]OSIF$IVP.TMP;1-
DKA100:[SMITH]OSIF$IVP.CPY;8
$ DELETE/LOG SYS$LOGIN:OSIF$IVP.CPY;
$ RENAME /APPLICATION_PROTOCOL=FTAM /LOG -
LOCAL_FTAM"OSIT$DEFAULT password"::OSIFILE.TMP -
OSIFILE.RNM
%RENAME-I-RENAMED, ::RMS.FTAM.OSIF.%x21,template=osit$loop_clns:
"OSIT$DEFAULT password"::SYS$COMMON:[OSIT$DEFAULT]OSIFILE.TMP;1
renamed to OSIFILE.RNM
$ DELETE /APPLICATION_PROTOCOL=FTAM /LOG -
LOCAL_FTAM"OSIT$DEFAULT password"::OSIFILE.RNM
%DELETE-I-FILDEL, ::RMS.FTAM.OSIF.%x21,template=osit$loop_clns:
"OSIT$DEFAULT password"::SYS$COMMON:[OSIT$DEFAULT]OSIFILE.RNM;1
deleted (0 blocks)
Would you like to test the DAP Gateway (this requires the OSIGTWY password)? Y
Checking SYS$SYSTEM:ISOAPPLICATIONS.DAT for OSINOD...
Please enter the PASSWORD for the OSIGTWY account:
$ COPY /APPLICATION_PROTOCOL=FTAM /LOG SYS$TEST:OSIF$IVP.TMP
LOCAL_FTAM"OSIT$DEFAULT password"::GTWYFILE.TMP
%COPY-S-COPIED, SYS$COMMON:[SYSTEM]OSIF$IVP.TMP;1 copied to
::RMS.FTAM.OSIF.%x21,template=osit$loop_clns:"OSIT$DEFAULT password"::
SYS$COMMON:[OSIT$DEFAULT]GTWYFILE.TMP;1 (403 records)
$ DIR 0"OSIGTWY password"::OSINOD"OSIT$DEFAULT password"::
SYS$LOGIN:GTWYFILE.TMP
Directory 0"OSIGTWY password"::
OSINOD"OSIT$DEFAULT OSIT$DEFAULT"::SYS$COMMON:[OSIT$DEFAULT]GTWYFILE.TMP;1
24 20-APR-1995 10:53:47.00 (RWED,RWED,RWED,RWED)
Total of 1 file, 24 blocks.
$ DELETE /LOG 0"OSIT$DEFAULT password"::GTWYFILE.TMP;
%DELETE-I-FILDEL, 0"OSIT$DEFAULT
password"::SYS$COMMON:[OSIT$DEFAULT]GTWYFILE.TMP;1 deleted (24 blocks)
DECnet-Plus FTAM Installation Verification Procedure
completed successfully at 10:53.
```

## Installing the OSI Applications

### 13.8 The VT Installation Verification Procedure

### 13.8 The VT Installation Verification Procedure

The VT installation verification procedure (IVP) is run automatically during the installation. However, you can run it at any time by entering the following command:

```
$ @sys$test:vt_ivp
```

If the IVP ran successfully, you see the following:

```
VT_IVP: Test successful
```

```
%IVP-S-END, IVP ended
```

If the IVP finishes with errors, you see a message similar to this:

```
VT_IVP: <Failure message>
```

```
%IVP-S-END, IVP ended
```

In both cases, the VT software produces a log file called `vt_ivp.log` in the `sys$scratch` directory. You can check the log file to help you identify the source of the problem. You can also forward the log file to HP to assist you when discussing the problem.

### 13.9 Files Installed on Your System

The OSI applications installation procedure installs a number of files on your system. To list the files, enter the following command:

```
$ product show object /product=application
```

```
application is FTAM, VT, or OSAK.
```

### 13.10 Sample OSI Application Installations

This section provides sample OSI applications installations.

#### 13.10.1 Sample OSAK Installation

```
$ prod install osak
```

```
Performing product kit validation ...
```

```
%PCSI-I-VALPASSED, validation of
```

```
VINVIN$DKB200:[000000.KITS.SIGN_KIT]HP-I64VMS-OSAK-V0300-U-1.PCSI$COMPRESSED;1  
succeeded
```

```
The following product has been selected:
```

```
HP I64VMS OSAK V3.0-U
```

```
Layered Product
```

```
Do you want to continue? [YES] 
```

```
Configuration phase starting ...
```

You will be asked to choose options, if any, for each selected product and for any products that may be installed to satisfy software dependency requirements.

```
HP I64VMS OSAK V3.0-U: HP OSAK V3.0 for OpenVMS
```

```
Copyright 2006 Hewlett-Packard Development Company, L.P. All rights reserved.
```

```
Hewlett-Packard Development Company
```

```
* This product does not have any configuration options.
```

```
OSAKserver and OSAK network management will be stopped.
```

```
Do you want to continue? [YES] 
```

## Installing the OSI Applications

### 13.10 Sample OSI Application Installations

```
Execution phase starting ...
The following product will be installed to destination:
  HP I64VMS OSAK V3.0-U          DISK$TEST:[VMS$COMMON.]
Portion done: 0%...10%...20%...30%...60%...70%...80%...90%...100%
The following product has been installed:
  HP I64VMS OSAK V3.0-U          Layered Product
%PCSI-I-IVPEXECUTE, executing test procedure for HP I64VMS OSAK V3.0-U ...
%PCSI-I-IVPSUCCESS, test procedure completed successfully
HP I64VMS OSAK V3.0-U: HP OSAK V3.0 for OpenVMS
    OSAKserver and OSAK network management processes have not been started.
    To start OSAK and OSAKserver, do "@SYS$STARTUP:OSAK$START.COM"
```

#### 13.10.2 Sample FTAM Installation

```
$ product install ftam
Performing product kit validation ...
%PCSI-I-VALPASSED, validation of
VINVIN$DKB200:[000000.KITS.SIGN_KIT]HP-I64VMS-FTAM-V0401-A-1.PCSI$COMPRESSED;1
succeeded
The following product has been selected:
  HP I64VMS FTAM V4.1-A          Layered Product
Do you want to continue? [YES] 
Configuration phase starting ...
You will be asked to choose options, if any, for each selected product and for
any products that may be installed to satisfy software dependency requirements.
HP I64VMS FTAM V4.1-A: DECnet-Plus for OpenVMS OSI File Transfer, Access, and
Management (FTAM)
    © Copyright 2006 Hewlett-Packard Development Company, L.P.
    This product uses the PAKS: DVNETEND and the Gateway requires DVNETEXT.
    * This product does not have any configuration options.
    The DECnet-Plus OSAK software must be installed and started before running
    FTAM.
    Do you want to continue? [YES] 
Execution phase starting ...
The following product will be installed to destination:
  HP I64VMS FTAM V4.1-A          DISK$TEST:[VMS$COMMON.]
Portion done: 0%...10%...20%...30%...40%...50%...60%...70%...90%...100%
The following product has been installed:
  HP I64VMS FTAM V4.1-A          Layered Product
HP I64VMS FTAM V4.1-A: DECnet-Plus for OpenVMS OSI File Transfer, Access, and
Management (FTAM)
    The following messages are informational and indicate the amount of each
    resource used by FTAM.
    This product requires the following SYSGEN parameters:
      GBLSECTIONS add 24
    This product requires the following SYSGEN parameters:
      GBLPAGES add 5068
    After installing DECnet-Plus FTAM you must do
    "$@SYS$STARTUP:OSIF$CONFIGURE.COM" to setup necessary accounts.
```

## Installing the OSI Applications

### 13.10 Sample OSI Application Installations

The DECnet-Plus FTAM IVP may be run at any time by doing  
"\$@SYS\$TEST:OSIF\$IVP.COM"

To start FTAM on your system, do "\$ @SYS\$STARTUP:OSIF\$STARTUP.COM".

Release notes are available in SYS\$HELP:DECNET\*.RELEASE\_NOTES

DECnet-Plus for OpenVMS FTAM Installation Completed

#### 13.10.3 Sample Virtual Terminal Installation

```
$ prod install vt

Performing product kit validation ...
%PCSI-I-VALPASSED, validation of
VINVIN$DKB200:[000000.KITS.SIGN_KIT]HP-I64VMS-VT-V0201-K-1.PCSI$COMPRESSED;1
succeeded

The following product has been selected:
  HP I64VMS VT V2.1-K                               Layered Product

Do you want to continue? [YES] 

Configuration phase starting ...

You will be asked to choose options, if any, for each selected product and for
any products that may be installed to satisfy software dependency requirements.

HP I64VMS VT V2.1-K: DECnet-Plus for OpenVMS Virtual Terminal

  Copyright (c) Digital Equipment Corporation 1994. All rights reserved.
  VT requires the PAK DVNETEND, and the VT Gateways require DVNETEXT also.
* This product does not have any configuration options.
  OSAK must be installed and started before you can run VT.

Do you want to continue? [YES] 

  VT Gateways startup requires LAT and DEC TCP/IP Services started first.
Do you want to continue? [YES] 

Execution phase starting ...

The following product will be installed to destination:
  HP I64VMS VT V2.1-K                               DISK$TEST:[VMS$COMMON.]

Portion done: 0%...40%...60%...70%...80%...90%...100%

The following product has been installed:
  HP I64VMS VT V2.1-K                               Layered Product

%PCSI-I-IVPEXECUTE, executing test procedure for HP I64VMS VT V2.1-K ...
%PCSI-I-IVPSUCCESS, test procedure completed successfully

HP I64VMS VT V2.1-K: DECnet-Plus for OpenVMS Virtual Terminal

  Previous VT_SYSTART.COM changes are in SYS$STARTUP:VT_SYSTART.COM_OLD
  You can start VT by doing "@SYS$STARTUP:VT_START.COM"
  Release notes are available in SYS$HELP:DECNET*.RELEASE_NOTES
  DECnet-Plus for OpenVMS Virtual Terminal Installation Completed
```

## 13.11 De-installing OSI Applications

To de-install the OSI applications, you must be logged into an account with the same privileges required to install the OSI applications. See Section 12.8.3 for this list of privileges.

You may optionally shut down the OSI applications before de-installing them. See Section 13.3 for instructions.

Note that you must de-install FTAM and VT before you de-install OSAK.

To de-install any of the OSI applications, enter the command:

```
$ product remove application
```

*application* is FTAM, VT, or OSAK.

Invoking this command shuts down the application if it is running and removes the product files. An example of the de-installation response sequence for each application is provided in Section 13.12.

---

### Note

---

You do not have to remove a product before re-installing the same version, or installing a different version. If the product is already installed on the system, the POLYCENTER Software Installation utility removes it automatically before beginning the installation.

---

## 13.12 Sample OSI Application De-installations

This section provides sample OSI applications de-installations.

### 13.12.1 Sample Virtual Terminal De-installation

```
$ product remove vt
The following product has been selected:
  DEC AXPVMS VT V2.1-K                Layered Product
Do you want to continue? [YES] 
The following product will be removed from destination:
  DEC AXPVMS VT V2.1-K                DISK$OVMSYSTEM
Portion Done: 0%
%PCSI-I-PRCOUTPUT, output from subprocess follows...
%%% VT_RESPONDER is running in process 0000050D
%%% Process will be stopped
%%% VT_LAT_GTWY is running in process 00000518
%%% Process will be stopped
%%% LAT_VT_GTWY is running in process 00000519
%%% Process will be stopped
%%% VT_TELNET_GTWY is running in process 0000029E
%%% Process will be stopped
%%% TELNET_VT_GTWY is running in process 0000029F
%%% Process will be stopped
Portion Done: 20%
Portion Done: 50%...60%...70%...80%...90%...100%
The following product has been removed:
  DEC AXPVMS VT V2.1-K                Layered Product
```

## Installing the OSI Applications

### 13.12 Sample OSI Application De-installations

#### 13.12.2 Sample FTAM De-installation

```
$ product remove ftam

The following product has been selected:
  DEC AXPVMS FTAM V4.1-A                Layered Product

Do you want to continue? [YES] 

The following product will be removed from destination:
  DEC AXPVMS FTAM V3.2-P                DISK$OVMSSYSTEM

Portion Done: 0%...20%...40%...50%...60%...70%...80%...90%...100%

The following product has been removed:
  DEC AXPVMS FTAM V3.2-P                Layered Product
```

#### 13.12.3 Sample OSAK De-installation

```
$ product remove osak

The following product has been selected:
  DEC AXPVMS OSAK V3.0-U                Layered Product

Do you want to continue? [YES] 

The following product will be removed from destination:
  DEC AXPVMS OSAK V3.0-T                DISK$OVMSSYSTEM

Portion Done: 0%...20%
%PCSI-I-PRCOUTPUT, output from subprocess follows...
%% OSAK$SERVER_V3 is running in process 0000054A
%% Process will be stopped
%% OSAK$NETMAN is running in process 0000054B
%% Process will be stopped
Portion Done: 40%...50%...60%...70%...80%...90%...100%

The following product has been removed:
  DEC AXPVMS OSAK V3.0-T                Layered Product
```

---

## Configuring the OSI Applications

This chapter describes how to configure FTAM and Virtual Terminal (VT) on an OpenVMS system.

### 14.1 FTAM and Virtual Terminal Terminology

- An **initiator**, or **client**, is the program on one system that initiates a request to a program on another system and awaits a response.
- A **responder**, or **server**, is the program on a system providing a response to a request initiated on another system.
- A **listener** is a job running on the responding system that fulfills incoming requests from an initiating system.

### 14.2 About the OSI Application Entity Database

The FTAM and VT applications require you to manage the OSI application entity database. This database stores addressing information for aliases that represent FTAM and VT applications and listeners.

On OpenVMS, the location of this file is:

```
sys$system:isoapplications.dat
```

The entries in the `isoapplications` database define aliases and contain information about local listeners, remote responders, and source addresses for local initiators. The aliases are used by local FTAM and VT initiators and listeners and by users who specify these aliases in FTAM and VT commands.

There are three types of formats you can use in this `isoapplications` database. They are:

- **Address** – Information on local listeners, remote applications, and local initiator source address.
- **Distinguished Name** – X.500 Directory Service fixed entries.
- **Pattern** – X.500 Directory Service variable entries.

The `isoapplications` database can contain any combination of these formats.

For detailed information on the Address, Distinguished Name and Pattern formats, refer to Chapter 9 in the *DECnet-Plus FTAM and Virtual Terminal Use and Management* manual.

## Configuring the OSI Applications

### 14.3 Getting Started Configuring Initiating and Responding Entities

### 14.3 Getting Started Configuring Initiating and Responding Entities

This section provides basic configuration task checklist items and examples for setting up the initiating and responding systems or entities.

Refer to the *DECnet-Plus FTAM and Virtual Terminal Use and Management* manual for detailed information about managing initiating and responding systems.

If you are already familiar with configuring FTAM and VT, you can continue the configuration procedure starting at Section 14.4.

#### 14.3.1 Setting Up Responding Entities

On OpenVMS, the FTAM and VT installation and startup procedures provide default FTAM and VT responders. When the `vt_start.com` and `osif$startup.com` command procedures are run, these responders are started automatically.

#### 14.3.2 Setting Up Initiating Entities

A responding entity needs to be defined in the `isoapplications` database before you can access it. To get the information you need for an alias, you must contact the person responsible for configuring and managing the remote OSI system running FTAM or VT. The remote FTAM or VT implementation may be a DECnet-Plus system or a system from another vendor.

Set up the `isoapplications` database for a specific remote FTAM or VT application as follows:

1. Determine the available transports between your DECnet-Plus system and the remote OSI system and select one.
2. Collect the information needed to define an alias. Complete the Address Format Worksheet Form shown in Table 14–3 as follows:
  - a. Choose an alias name for the remote responder. This name is local to your system and can be any name you choose.
  - b. Specify whether the remote application is FTAM or VT.
  - c. Obtain the AP-title and the AE-qualifier that the remote application requires, if any. If they are not required, leave these fields blank.
  - d. Obtain the SAP selectors (PSEL, SSEL, TSEL) that the remote application requires.
  - e. Obtain the NSAP of the remote application. The format of this field depends upon which transport provider you are using.
    - For OSI transport: Obtain the remote NSAP.
    - For RFC 1006: Obtain the remote Internet address and RFC 1006 daemon port.
    - For CONS over X.25: Obtain the remote X.25 NSAP.
  - f. Specify the transport provider you selected in Step 1.
  - g. Determine the local transport template you want to use.
    - For OSI transport: Default template is `default`.
    - For RFC 1006: Default template is `osit$rfc1006`.



## Configuring the OSI Applications

### 14.3 Getting Started Configuring Initiating and Responding Entities

- For CONS over X.25: Use a CONS template.
3. Define the alias in the isoapplications database in Address format with the information you collected in the prior steps. You can edit this database using a text editor.

Once the setup is complete, you can invoke initiator requests using the alias.

#### 14.3.3 Example: Performing an FTAM File Copy

Use the task list from Section 14.3.2 to configure your system to perform an FTAM file copy.

In this example, you copy remote file `system_a_filename` on System-A, to file `system_b_filename` on System-B.

System-A is the responding entity, and System-B is the initiating entity. System-A and System-B are OpenVMS systems.

Use the OSI provider and the following account information on System-A:

```
username: system_a_user 
password: system_a_pwd 
```

Use the default FTAM responder on System-A. There is no setup required on System-A.

Using information collected in Section 14.3.2, perform the following steps on **initiating entity** System-B from a privileged account:

1. Determine available transports and choose one. For this example, use OSI transport.
2. Perform the following steps:
  - a. Choose an alias. For this example, use `system_a_alias`.
  - b. Specify FTAM or VT. For this example, the remote application is FTAM.
  - c. Obtain the AP-title and AE-qualifier. For this example, the responder does not require this information.
  - d. Obtain the SAP selectors. The FTAM responder on OpenVMS uses `RMS.FTAM.OSIF`.
  - e. Obtain the remote NSAP. For this example, the responder's OSI transport NSAP is `%X410004AA000400001321`.
  - f. Specify transport provider. For this example, use OSI. Note that because OSI is the default provider, you can omit it for this example.
  - g. Determine the transport template. For this example, use default. Note that because default is the default template, you can omit it for this example.
3. Define the alias in the isoapplications database:

```
system_a_alias :FTAM::RMS.FTAM.OSIF. \  
                %X410004AA000400001321, \  
                provider=osi,template=default:
```

After the setup is complete, you can start the FTAM copy command:

```
$ copy/application=ftam -   
system_a_alias"system_a_user system_a_pwd":system_a_filename -   
system_b_filename 
```

## Configuring the OSI Applications

### 14.3 Getting Started Configuring Initiating and Responding Entities

#### 14.3.4 Example: Performing a Virtual Terminal Login

Use the task list from Section 14.3.2 to configure your system to perform a Virtual Terminal login.

In this example, you perform a VT set host/vtp from System-B to System-A.

System-A is the responding entity, and System-B is the initiating entity. System-A and System-B are OpenVMS systems.

Use the RFC 1006 provider and the following account information from System-A:

```
username: system_a_user   
password: system_a_pwd 
```

Use the default VT responder on responding entity System-A. There is no setup required on System-A.

Using the information from Section 14.3.2, perform the following steps on **initiating entity** System-B from a privileged account:

1. Determine available transports and choose one. For this example, use RFC 1006.
2. Perform the following steps:
  - a. Choose an alias. For this example, use system\_a\_alias.
  - b. Specify FTAM or VT. For this example, the remote application is VT.
  - c. Obtain the AP-title and AE-qualifier. For this example, the responder does not require this information.
  - d. Obtain the SAP selectors. The VT responder on OpenVMS uses %x0001.%x0001.%x0002.
  - e. Obtain the remote NSAP. For this example, the responder's RFC 1006 internet address is 16.20.8.42 and the daemon port is 102.
  - f. Specify transport provider. For this example, use RFC 1006.
  - g. Determine the transport template. For this example, use osit\$rfc1006. Note that because osit\$rfc1006 is the default template, you can omit it for this example.
3. Define the alias in the isoapplications database:

```
system_a_alias :VT::%x0001.%x0001.%x0002. \  
               16.20.8.42.102, \  
               provider=rfc1006:
```

After the setup is complete, you can start the VT set host/vtp command:

```
$ set host/vtp system_a_alias   
Username:  SYSTEM_A_USER   
Password:  system_a_pwd 
```

## 14.4 About Responding Entities

As stated in Section 14.3.1, default FTAM and VT responders are provided on OpenVMS. The installation also supplies an initial `isoapplications` database with local aliases used by the FTAM and VT responders, gateways, and initiators.

Table 14–1 shows default addresses (PSEL, SSEL, TSEL) for the FTAM and VT responders and gateways:

**Table 14–1 Default Addresses**

Gateway/Responder	Default Address
FTAM Responder	RMS.FTAM.OSIF
VT Responder	%x0001.%x0001.%x0002
VT/LAT Gateway	%x0001.%x0001.%x0003
VT/TELNET Gateway	%x0001.%x0001.%x0004

Each of these responders and gateways can accept connections through all of the transports that FTAM and VT support: OSI transport, RFC 1006, and X.25/CONS.

You can set up your own responder for FTAM in addition to or instead of the default one. You cannot set up your own responder for VT; however, you can change the aliases and change the local addresses (PSEL, SSEL, TSEL) that the VT responder and gateways use. For these operations, refer to Chapter 10 and Chapter 11 in the *DECnet-Plus FTAM and Virtual Terminal Use and Management* manual.

## 14.5 Configuring Addresses for Remote FTAM and VT Applications

The primary job of configuring FTAM and VT on OpenVMS is to add entries to the `isoapplications` database for the remote FTAM and VT applications on your network. On OpenVMS, you add entries to the `isoapplications` database by using a text editor.

Refer to Chapter 9 in the *DECnet-Plus FTAM and Virtual Terminal Use and Management* manual for a complete description of managing the `isoapplications` database.

As mentioned in Section 14.2, every entry in the `isoapplications` database has one of three database formats:

- Address format
- Distinguished Name format
- Pattern format

If you have the DEC X.500 Directory Service product installed, you have the option of adding entries of the Distinguished Name format and the Pattern format. You have the option of adding entries of the Address format regardless of whether X.500 is installed.

If you are not using X.500, complete an Address Format Worksheet as shown in Table 14–3 for each remote application. If you are using X.500, complete the checklist in Table 14–2.

## **Configuring the OSI Applications**

### **14.5 Configuring Addresses for Remote FTAM and VT Applications**

To complete the Address Format Worksheet forms, see Section 14.3.2 for instructions on collecting the relevant information.

## Configuring the OSI Applications

### 14.5 Configuring Addresses for Remote FTAM and VT Applications

Table 14–2 X.500 Configuration Checklist

Question	Yes	No
<p><b>Do you want to register the local listeners in the X.500 Directory?</b></p> <p>If yes, you need an X.500 Distinguished Name to identify each of the local listeners. Specify a Distinguished Name for each local listener.</p> <ul style="list-style-type: none"><li>X.500 Distinguished Names: _____</li></ul>	<input type="checkbox"/>	<input type="checkbox"/>
<p><b>Do you want to add entries to isoapplications?</b></p> <p>If yes, then continue on with this checklist to add entries of the Distinguished Name, Pattern, and Address formats.</p>	<input type="checkbox"/>	<input type="checkbox"/>
<p><b>Do you want to add entries of the Distinguished Name format?</b></p> <p>If yes, complete the following information for each remote application:</p> <ul style="list-style-type: none"><li>Alias name: _____</li><li>Application (FTAM or VT): _____</li><li>Distinguished Name: _____</li><li>Transport Template List: _____</li></ul>	<input type="checkbox"/>	<input type="checkbox"/>
<p><b>Do you want to add entries of the Pattern format?</b></p> <p>If yes, you need to determine what your patterns should look like.</p> <p>You may be able to get this information from your network administrator, or you may be able to use the DEC X.500 Administration Utility (DXIM) to examine the structure of the X.500 Directory Information Tree for your organization to determine what your Pattern format entries should be.</p> <p>Complete the following information for each pattern entry. The Distinguished Name should be incomplete (contain at least one *).</p> <ul style="list-style-type: none"><li>Application (FTAM or VT): _____</li><li>Distinguished Name: _____</li><li>Transport Template List: _____</li></ul>	<input type="checkbox"/>	<input type="checkbox"/>
<p><b>Do you want to add entries of the Address format?</b></p> <p>If yes, complete the form shown in Table 14–3 for each remote application.</p>	<input type="checkbox"/>	<input type="checkbox"/>

## Configuring the OSI Applications

### 14.5 Configuring Addresses for Remote FTAM and VT Applications

Table 14–3 Address Format Worksheet

Configuration Information	Answer/Entry
Alias name:	<input type="text"/>
Application (FTAM or VT):	<input type="text"/>
AP-title:	<input type="text"/>
AE-qualifier:	<input type="text"/>
PSEL:	<input type="text"/>
SSEL:	<input type="text"/>
TSEL:	<input type="text"/>
NSAPs:	<input type="text"/>
Transport provider names:	<input type="text"/>
Transport template names:	<input type="text"/>

#### 14.5.1 Adding Address Format Entries

Refer to Section 9.2.1 in the *DECnet-Plus FTAM and Virtual Terminal Use and Management* manual for a complete description of Address format entries. Entries of the Address format take the following form:

```
alias :application:ap-title:ae-qualifier:psel.ssel.tsel.  
                                             nsap,transport_options;  
                                             nsap,transport_options; ...  
                                             nsap,transport_options;
```

Use the information you completed in the Address Format Worksheet to add the Address format entries. For example, an Address format entry for VT could look like the following:

```
remote1 :VT:::psap.ssap.tsap.%x4145418715004108002B23569821, \  
        provider=osi,template=default:
```

Note that you can enter more than one NSAP per alias.

#### 14.5.2 Adding Distinguished Name Format Entries

Refer to Section 9.2.2 in the *DECnet-Plus FTAM and Virtual Terminal Use and Management* manual for a complete description of Distinguished Name entries. Entries of the Distinguished Name format take the following form:

```
alias :application:template_list:x500_distinguished_name:
```

Use the information you completed in the configuration checklist to add the Distinguished Name format entries. For example, a Distinguished Name format entry for FTAM could look like the following:

```
remote2 :FTAM:template=default:/c=us/o=org/ou=org_unit/cn=remote2/cn=ftam:
```

## Configuring the OSI Applications

### 14.5 Configuring Addresses for Remote FTAM and VT Applications

#### 14.5.3 Adding Pattern Format Entries

Refer to Section 9.2.3 in the *DECnet-Plus FTAM and Virtual Terminal Use and Management* manual for a complete description of Pattern format entries. Entries of the Pattern format take the following form:

```
* :application:template_list:incomplete_distinguished_name:
```

You need only one Pattern format entry in the isoapplications database for each application (FTAM or VT). Use the information you completed in the configuration checklist to add the Pattern format entries.

For example, the aliases passed to the FTAM and VT commands could correspond to the value of the common name attribute of the application process entries in the X.500 directory. In this case, you might use the following two isoapplications entries:

```
* :VT:template=default:/c=us/o=org/ou=org_unit/cn=*/cn=vt:  
* :FTAM:template=default:/c=us/o=org/ou=org_unit/cn=*/cn=ftam:
```

#### 14.6 Registering Responders in the X.500 Directory

If you have DEC X.500 Directory Service available to you, you have the option of storing the addresses of the local FTAM and VT responders in the X.500 Directory database. Use the information you completed in the configuration checklist to register your local responders.

For example, you could use the following DEC X.500 Administration Facility (DXIM) command to register your local FTAM responder on node srchr, assuming that srchr already exists in the database as an application process:

```
dxim> create /c=us/o=local_org/ou=local_org_unit/cn=srchr/cn=ftam -   
_dxim> attributes objectclass=applicationentity, -   
_dxim> presentationaddress="RMS"/"FTAM"/"OSIF"/NS+410004AA000400001321 
```





# Part VI

---

## Supplemental Reference Material

Part VI contains supplemental reference information useful to the installation and configuration procedures for DECnet-Plus.

It contains the following appendixes:

- Appendix A — System Files Loaded During DECnet-Plus Installation
- Appendix B — Supplemental Name Services Information
- Appendix C — Configuring OSI Transport Over X.25 CONS
- Appendix D — Configuring Link State Routing Nodes Using the ISIS\$CONFIGURE Procedure



# A

---

## System Files Loaded During DECnet-Plus Installation

This appendix lists the system files that are placed on the system or copied to the system disk during the DECnet-Plus installation procedure.

The following table lists the files according to the directory into which they are copied.

## System Files Loaded During DECnet-Plus Installation

---

### Directory/Files

---

#### [SYS\$LDR]

LES\$CHECK_LICENSE.EXE	LES\$LES_V30.EXE
LES\$NETMAN.EXE	LES\$NETMANLDR.EXE
LES\$PROFILE.EXE	NET\$ALIAS.EXE
NET\$ALIAS.STB	NET\$DRIVER.EXE
NET\$DRIVER.STB	NET\$LOOP_APPLICATION.EXE
NET\$MOPS0.EXE	NET\$MOPS0.STB
NET\$OSDRIVER.EXE	NET\$OSDRIVER.STB
NET\$OSVCM.EXE	NET\$OSVCM.STB
NET\$ROUTING_ES.EXE	NET\$ROUTING_ES.STB
NET\$ROUTING_VCM.EXE	NET\$SESSION_CONTROL.EXE
NET\$SESSION_CONTROL.STB	NET\$TPCONS.EXE
NET\$TPCONS.STB	NET\$TRACER.EXE
NET\$TRANSPORT_NSP.EXE	NET\$TRANSPORT_NSP.STB
NET\$TRANSPORT_OSI.EXE	NET\$TRANSPORT_OSI.STB
SYS\$NAME_SERVICES.EXE	SYS\$NAME_SERVICES.STB
SYS\$NETWORK_SERVICES.STB	NET\$MESSAGE.EXE
NET\$ROUTING_IS.EXE	SYS\$NETWORK_SERVICES.EXE

#### [SYS\$STARTUP]

DNS\$CLERK_STARTUP_V.COM	DNS\$CLERK_STOP_V.COM
DTSS\$STARTUP.COM	NET\$LES_STARTUP.COM
NET\$ROUTING_STARTUP.COM	NET\$STARTUP.COM

#### [SYSEXE]

ALIAS\$SYMBOLS.STB	CDI\$TRACE.EXE
CDI_CACHE_DUMP.EXE	CML.EXE
CTF\$DCP.EXE	CTF\$SERVER.EXE
CTF\$SYMBOLS.STB	CTF\$UI.EXE
CTI\$SYMBOLS.STB	DECNET_LOC_REGISTER.EXE
DECNET_REGISTER.EXE	DECNET_REGISTER_LNO.EXE
DNS\$ADVER_V.EXE	DNS\$ANALYZE_V.EXE
DNS\$CONFIGURE.EXE	DNS\$CONTROL.EXE
DNSBROWSER.EXE	DNSCP.BPT
DNSCP.MBF	DSMDECDNS.EXE
DTSS\$SERVICE.EXE	DTSS\$SET_TIMEZONE.EXE
ESIS\$SYMBOLS.STB	LES\$ACP_V30.COM
LES\$ACP_V30.EXE	LES\$FINDPTMAX.EXE
LES\$STARTUP_V30.EXE	NCL.EXE
NET\$ACP.EXE	NET\$ACP.STB
NET\$CCR.EXE	NET\$DEBUG.EXE

## System Files Loaded During DECnet-Plus Installation

---

### Directory/Files

---

NET\$EVENT_DISPATCHER.EXE	NET\$LES_CONTROL.DAT
NET\$LOAD.EXE	NET\$MGMT.EXE
NET\$MIRROR.EXE	NET\$MOP.EXE
NET\$MOP.STB	NET\$QIO_SYMBOLS.STB
NET\$SERVER.COM	NET\$SERVER.EXE
NET\$SYMBOLS.STB	NSPTP\$SYMBOLS.STB
OSITP\$SYMBOLS.STB	OSVCM\$SYMBOLS.STB
SCL\$SYMBOLS.STB	TPCONS\$SYMBOLS.STB
CTF\$CONFIG.EXE	NCP.EXE

### [SYSHLP.EXAMPLES.DNVOSI]

DNS\_ADD\_VALUE\_TO\_ATTRIBUTE.C

### [SYSHLP.EXAMPLES.DNVPLUS]

DNS_CREATE_OBJECT.C	IPC_SERVER.C
DNS_READ_ATTRIBUTE.C	IPC_BACKTRANSLATE.C
IPC_BUILD.COM	IPC_CLIENT.C
IPC_COMMON.C	IPC_DEF.H

### [SYSHLP.EXAMPLES]

CX.C	NSAPS.DAT
OSIT\$CMD_EXECUTOR.COM	OSIT\$CMD_EXECUTOR.MAR
OSIT\$CMD_SOURCE.CLD	OSIT\$CMD_SOURCE.MAR
OSIT\$ECHO.FOR	OSIT\$RANDOM.C
OSIT\$RECEIVER.PAS	OSIT\$RECORD_STRUCTURES.FOR
OSIT\$STORAGE.FOR	OSIT\$TRANSMITTER.PAS
SETUP_NCL_KEYPAD.COM	SUBX.C
SX.C	VMS_OSI.H
XTIUTIL.C	XTI_EXAMPLES.COM

### [SYSHLP]

CTF\$HELP.HLB	DECNET_LOC_REGISTER.HLB
DECNET_MIGRATE.HLB	DECNET_REGISTER_COMMANDS.HLB
DECNET_REGISTER_FORMS.HLB	DNS\$CPHELP.HLB
DSMDECDNS.DECW\$BOOK	LES\$SDAHELP.HLB
NCLHELP.HLB	NET\$CONFIGURE_HELP.HLB
NET\$MGMT_HELP.HLB	NET\$SDA.HLB
DECNET-PLUS-V8_2.RELEASE_NOTES	

## System Files Loaded During DECnet-Plus Installation

### [SYSLIB]

CDI\$SHR.EXE	CDI\$SHR.STB
CML.OLB	CTF\$ALIAS_ANALYZE.EXE
CTF\$CSMA-CD_TRACEPOINTS.DAT	CTF\$CTI_ANALYZE.EXE
CTF\$DECNET_TRACEPOINTS.DAT	CTF\$DNA_ANALYZE.EXE
CTF\$DUMP_ANALYZE.EXE	CTF\$ESEVENT_ANALYZE.EXE
CTF\$IEEE8022_ANALYZE.EXE	CTF\$IEEE8023_ANALYZE.EXE
CTF\$KEY.INIT	CTF\$KEY.TEMPLATE
CTF\$MOP_ANALYZE.EXE	CTF\$NSPTP_ANALYZE.EXE
CTF\$NSP_ANALYZE.EXE	CTF\$NSP_TRACEPOINTS.DAT
CTF\$OSITP_ANALYZE.EXE	CTF\$OSVCM_ANALYZE.EXE
CTF\$ROUTING_ANALYZE.EXE	CTF\$ROUTING_TRACEPOINTS.DAT
CTF\$SCL_ANALYZE.EXE	CTF\$TPCONS_ANALYZE.EXE
CTF\$VOTS_ANALYZE.EXE	DNS\$RTL_V.EXE
DNSDEF_V.ADA	DNSDEF_V.BAS
DNSDEF_V.FOR	DNSDEF_V.H
DNSDEF_V.MAR	DNSDEF_V.PAS
DNSDEF_V.PLI	DNSDEF_V.R32
DNSMSG_V.ADA	DNSMSG_V.BAS
DNSMSG_V.FOR	DNSMSG_V.H
DNSMSG_V.MAR	DNSMSG_V.PAS
DNSMSG_V.PLI	DNSMSG_V.R32
DSMDECDNS.DAT	DSMDECDNS.UID
DTSS\$RUNDOWN.EXE	DTSS\$SHR.EXE
DTSS\$SHRD.EXE	LES\$ACP_CODE_V30.EXE
LES\$NETMANSHR.EXE	LES\$SDA.EXE
NCL\$GLOBALSECTION.DAT	NCLSHR.EXE
NET\$CMISE.EXE	NET\$EVD_RELAY_FORMATTER.EXE
NET\$NISCS_LAA.EXE	NET\$NISCS_LAA.STB
NET\$PROCESS_EMAA.EXE	NET\$ROUTING_ACPSHR.EXE
NET\$SDA.EXE	NET_CMISE.H
NET_EXTERNALS.ADA	NET_EXTERNALS.BAS
NET_EXTERNALS.FOR	NET_EXTERNALS.H
NET_EXTERNALS.L32	NET_EXTERNALS.MLB
NET_EXTERNALS.PAS	NET_EXTERNALS.PLI
OSIT\$LIBRARY.EXE	OSIT\$LIBRARY.OLB
OSIT.ADA	OSIT.FOR
OSIT.H	OSIT.L32
OSIT.MAR	OSIT.MLB
OSIT.PAS	OSIT.PEN
OSIT.PLI	OSIT.R32
OSIT.SDI	UTC.H

## System Files Loaded During DECnet-Plus Installation

---

### Directory/Files

---

XTI\$DNETSHR.EXE

XTI\$UCXSHR.DECNET-PLUS

OSITMSG.H

XTI\$OSISHR.EXE

XTI.DECNET-PLUS

#### [SYSMGR]

CTF\$STARTUP.COM

DECNET\_DNS\_REGISTER.COM

DECNET\_LOC\_REGISTER.COM

DNS\$CLERK\_CLUSTER.NCL

DTSS\$CONFIG.COM

NET\$CONFIGURE.COM

NET\$DTSS\_CLERK\_STARTUP.NCL

NET\$LOGICALS.TEMPLATE

NET\$AUTOGEN.COM

DECNET\_DNS\_TOWERS.COM

DECNET\_REGISTER\_DECDNS.COM

DNS\$CONFIGURE.COM

DTSS\$CONFIG\_TEMPLATE.DAT

NET\$DNS\_CLERK\_STARTUP.NCL

NET\$EVENT\_LOCAL.TEMPLATE

NET\$SHUTDOWN.COM

#### [SYMSMG]

CTF\$MESSAGES.EXE

LES\$ACP\_MESSAGES\_V30.EXE

OSIT\$VOTS\_MSG.EXE

DNS\$MSG\_V.EXE

LES\$NM\_MESSAGES.EXE

#### [SYSTEST]

OSIT\$IVP.CLD

OSIT\$IVPINIT.COM

OSIT\$IVP\_SUPPORT.COM

OSIT\$IVP.EXE

OSIT\$IVPRESP.COM

#### [SYSUPD]

CTF.CLD

DECNET\_MIGRATE.EXE

DTSS\$INSTALL\_TIMEZONE\_RULE.COM

NCP\_EMULATOR.TXT

NET\$CONVERT\_DATABASE.EXE

NET\$FIXUP\_IDENTIFIERS.EXE

NET\$REMOVE\_EMU.COM

DECNET\_MIGRATE\_LSE.ENV

DTSS\$TIMEZONE\_RULES.DAT

NET\$CONFIGURE\_UPGRADE.COM

NET\$PARSE\_PREFIX.EXE

NET\$PCSI\_INSTALL.COM

NET\_ISHFILTER.EXE

---





---

## Name Services

This appendix contains information not presented in the chapters describing the configuration of DECnet-Plus. This chapter discusses the following topics:

- Modifying the name service search path
- Node synonym directories
- Using Version 1 DECdns namespaces
- Registering nodes in a namespace

For a complete description of name service tasks, see the “Managing Name Service Searches and Information” chapter in the *HP DECnet-Plus for OpenVMS Network Management* manual.

### B.1 Modifying the Search Path Information

See Section 6.4.1.4 for general information on the name service search path and how to configure it using the `net$configure` procedure. This section contains topics about the name service search path that provide additional information on what the name service path is and how to configure it.

HP recommends that you rerun `net$configure.com` to revise the standard search path NCL script (`net$searchpath_startup.ncl`) whenever it is necessary to reorder access to the name services on the node. To modify the standard search path startup script, run `net$configure` and use Option 2 ("Change node name/namespace name").

---

#### Note

---

Whenever you directly edit an existing `net$searchpath_startup.ncl` script, or when you use the NCL `set` command to change the script (rather than changing the script by rerunning `net$configure`), your edits are overwritten by any new `net$searchpath_startup.ncl` scripts you subsequently generate by rerunning `net$configure`. You can overcome this restriction by creating a site-specific search path NCL script file as discussed in the next section.

---

## Name Services

### B.1 Modifying the Search Path Information

#### B.1.1 Creating a Site-Specific Search Path NCL Script

HP recommends that you allow `net$configure` (and in some cases `net$startup`) to create and use the standard NCL search path script (`net$searchpath_startup.ncl`).

However, if you need to make site-specific changes to your search path NCL script and you do not want `net$configure` to overwrite these changes, you can create a site-specific search path NCL script by renaming the standard search path script (`net$searchpath_startup.ncl`) to `net$searchpath_local.ncl` and making your changes to the new file.

For example, you might want to use the NCL `set` command described in Section B.1.3 to create site-specific naming templates in `net$searchpath_local.ncl`.

The `net$configure` and `net$startup` command procedures check for the presence of a site-specific search path script (`net$searchpath_local.ncl`) on the node. If `net$searchpath_local.ncl` is present on the node, it is invoked instead of the standard script. A message similar to the following is displayed:

```
*****
A site-specific searchpath NCL script has been found on the
system (SYS$SYSROOT:[SYSMGR]NET$SEARCHPATH_LOCAL.NCL;). The
configuration procedure will use this script to set the
searchpath instead of using the standard searchpath script
that is created by NET$CONFIGURE (NET$SEARCHPATH_STARTUP.NCL).
*****
%NET$CONFIGURE-I-SITSEARCHPATH, invoking site-specific searchpath
NCL script found on system
```

The `net$configure` and `net$startup` command procedures do not modify the site-specific search path NCL script; rather, they invoke the site-specific search path script as it currently exists. Therefore, when using a site-specific search path NCL script, you must modify it prior to invoking `net$configure` whenever you change any of the following name service information:

- The number of name services used on the node
- The order of the name services used on the node
- The specific name services used on the node

#### B.1.2 Using the Search Path to Ease Migration

A search path can be used to simplify migration from one name service to another. The system administrator can create a search path designating the currently used name service as the primary name service (to be searched first) and the new name service as the secondary name service (to be searched second, after the primary name service is searched).

As the secondary name service becomes populated with node and addressing information, the system administrator can rerun `net$configure` and select Option 2 to reverse the positions of the name services in the search path. This causes the current secondary service to become primary, to be searched first for node and addressing information.

### B.1.3 Setting Up Naming Templates

In each template, the user-supplied portion of the name (usually the node's terminating name or rightmost simple name) is indicated with an asterisk (\*). For example, if the DECDns template is: "ABCDE:.xyz.\*" and a user supplies the name fin, then the following full name: ABCDE:.xyz.fin is looked up in namespace ABCDE in the DECDns name service.

You should specify only one asterisk per template. Only the first occurrence of an asterisk (\*) in the template is substituted with the user-supplied name. Any additional asterisks are passed to the name service as part of the full name. When you specify a template without an asterisk, the template string is passed to the name service unchanged.

If you want the user-supplied name to be passed to the name service as entered by the user, the template should be specified as follows: "\*".

DECnet-Plus provides an NCL set command for modifying the naming templates associated with the naming and backtranslation search paths. Do not use the NCL set command to modify aspects of the search path other than the naming templates.

The following net\$searchpath\_local.ncl script creates typical naming and backtranslation search paths. In this script ABCDE represents the namespace nickname. Your namespace nickname will appear in your NCL script:

```
SET NODE 0 SESSION CONTROL NAMING SEARCH PATH -
  ([DIRECTORY SERVICE = LOCAL, TEMPLATE = "*"], -
  [DIRECTORY SERVICE = LOCAL, TEMPLATE = "local:*"], -
  [DIRECTORY SERVICE = LOCAL, TEMPLATE = "LOCAL:*"], -
  [DIRECTORY SERVICE = DECDNS, TEMPLATE = "*"], -
  [DIRECTORY SERVICE = DECDNS, TEMPLATE = "ABCDE:*"], -
  [DIRECTORY SERVICE = DECDNS, TEMPLATE = "ABCDE:.xyz.*"], -
  [DIRECTORY SERVICE = DECDNS_SYNONYM, TEMPLATE = "ABCDE:.DNA_NodeSynonym.*"
  ], -
  [DIRECTORY SERVICE = DOMAIN, TEMPLATE = "*"], -
  [DIRECTORY SERVICE = DOMAIN, TEMPLATE = ".*.xyz.ABCDE.com"])
SET NODE 0 SESSION CONTROL BACK SEARCH PATH -
  ([DIRECTORY SERVICE = LOCAL, TEMPLATE = ""], -
  [DIRECTORY SERVICE = DECDNS, TEMPLATE = "ABCDE:.DNA_BackTranslation"], -
  [DIRECTORY SERVICE = DOMAIN, TEMPLATE = ""])
```

### B.1.4 Domain Synonyms

Support for the Domain Name System (DNS/BIND) provides for the use of node synonyms. This allows for backward compatibility with older applications that cannot use long domain names.

There are two ways to configure node synonyms for use with DNS/BIND:

- By constructing an appropriate set of naming search path templates
- By defining local aliases

#### B.1.4.1 Search Path Naming Template Support for Domain Synonyms

You can provide synonym support for entire domains by constructing an appropriate set of search path templates. Note that excessively long search paths (search paths with many entries) can increase the time it takes to look up node addresses.

## Name Services

### B.1 Modifying the Search Path Information

Entering the following NCL command sets up a search path for a system using DNS/BIND:

```
$ mcr ncl set session control naming search path =           -
  { [Directory Service = Domain, Template = "*"],           -
    [Directory Service = Domain, Template = "*.finbar.com"], -
    [Directory Service = Domain, Template = "*.abc.finbar.com"], -
    [Directory Service = Domain, Template = "*.xyz.finbar.com"]} }
```

This NCL command results in the following DNS/BIND naming templates:

```
*
*.finbar.com
*.abc.finbar.com
*.xyz.finbar.com
```

When DECnet-Plus receives a connection from node `koi.abc.finbar.com`, it determines that `koi` is a usable synonym for this node, and DECnet-Plus will return the name `koi` to applications that require Phase IV style node names.

Using search path naming templates for synonym support allows the user to enter any of the following node names: `koi`, `koi.abc`, or `koi.abc.finbar.com` for node `koi`.

#### B.1.4.2 Local Aliases

Another way to define a node synonym for a particular node is by adding DNS/BIND *alias names* to the local host's database. The following is an example using HP TCP/IP Services for OpenVMS:

```
$ tcpip set host koi.abc.finbar.com/address=aa.bb.cc.dd/alias=koi
```

DECnet-Plus returns the node synonym `koi` to applications that require Phase IV-style node names.

## B.2 Node Synonym Directories

The default node synonym directory is `.DNA_NodeSynonym`. If you plan to use a node synonym directory other than this default directory, you must define the logical name `DECNET_MIGRATE_DIR_SYNONYM` to the synonym directory name you want to use in `sys$manager:net$logicals.com`. (If you do not have a `net$logicals` procedure on your system, you can create one using `sys$manager:net$logicals.template`.) This makes the definition permanent (that is, it will not be deleted when you reboot the system).

### B.2.1 Defining an Alternate Node Synonym Directory

Use the following format to define an alternate node synonym directory:

```
$ define decnet_migrate_dir_synonym "alt-directory-name"
```

If you use a synonym directory name that includes special characters or three or more dots, the system might produce an error. To avoid this, enclose the synonym directory name in quotes. For example:

```
$ define/system decnet_migrate_dir_synonym ".ch.noun.synonym"
```

The `net$configure` procedure needs this logical name to be defined at all times if you wish to use a synonym directory other than `.DNA_NodeSynonym`. Be sure to add this definition to `net$logicals.com` to ensure that the definition of the synonym directory will be permanent.

## B.2.2 When to Use the Logical Name

You can use the logical name described in Section B.2.1 with either the BASIC or the ADVANCED configuration option.

You must define this logical name before you use any of the following procedures:

```
net$configure.com  
decnet_register.exe  
decnet_migrate.exe
```

If synonym lookup fails in the namespace, the software does one of the following:

- The startup procedure defines SYS\$NODE, SYS\$CLUSTER\_NODE, or both to be the first six characters of the last simple name of the respective node full name or cluster full name.
- The configuration procedure defines SYS\$NODE to be the node synonym name that was entered during configuration.

The system displays a message that it has redefined the logical names.

## B.3 Using a DNS Version 1 Namespace with DECdns Version 2

If you are already using a namespace created with Version 1 of the VAX Distributed Name Service (DNS) (running on DECnet Phase IV), you can continue to use this namespace when you upgrade your networking software to DECnet-Plus for OpenVMS. However, because of differences in the way that DNS Version 1 and DECdns Version 2 handle access control, you must prepare your DNS Version 1 namespace for use by DECnet-Plus. DNS Version 1 and DECdns Version 2 interpret principal specifications in access control entries (ACEs) differently.

In DNS Version 1, servers recognize principals only in the form *nodename::username*. In DECdns Version 2, servers recognize principals primarily in the form *nodename.username*. To have DECdns Version 2 clerks and servers interpret and process existing DNS Version 1-style access control entries in the namespace, you need to create a backtranslation directory (*.DNA\_BackTranslation*) and a node synonym directory (*.DNA\_NodeSynonym*) in the root directory of the namespace. You must then populate these directories by registering all the nodes participating in the Version 1 namespace.

### B.3.1 Preparing a DNS Version 1 Namespace for Use by DECdns Version 2

To prepare a namespace created with DNS Version 1 for use by DECnet-Plus, follow these steps:

1. Install and configure DECnet-Plus for OpenVMS on any node in your namespace that is **not** currently functioning as a DNS Version 1 server. Configure the node as a DECdns Version 2 clerk. See Chapter 3 and Chapter 6.
2. From any node running DNS Version 1 server software, use the DNS Version 1 control program (DNS\$CONTROL) add access command to grant the following DNS Version 1-style access on behalf of the SYSTEM account on the new Version 2 clerk node that you configured in Step 1:
  - Read, write, delete, test, and control access to the root directory of the namespace
  - Read, write, delete, test, and control access to the clearinghouse that stores the master replica of the root directory

## Name Services

### B.3 Using a DNS Version 1 Namespace with DECdns Version 2

For example, if the DECnet-Plus full name of the new clerk is `.pastry`, and the master replica of the Version 1 namespace is stored in the `.paris_ch` clearinghouse, enter the following two commands:

```
DNS> add access pastry::system directory . /rights=(r,w,d,t,c)
```

```
DNS> add access pastry::system clearinghouse .paris_ch /rights=(r,w,d,t,c)
```

You need to grant this access to ensure that the `SYSTEM` account on the new Version 2 clerk has sufficient access to run the `decnet_register` utility. The Version 2 clerk must also have permission to create and populate a backtranslation directory (`.DNA_BackTranslation`) and node synonym directory (`.DNA_NodeSynonym`) in the root directory of the namespace during the next step of this procedure.

---

#### Note

---

If the node you configured as a Version 2 clerk in Step 1 is a new node, or if it is being assigned a new DECnet Phase IV-compatible address, you should update the DECnet node databases on all Version 1 servers in the namespace to include the new address before you proceed.

---

3. Log in to the new Version 2 clerk node under the `SYSTEM` account and invoke the `sys$manager:decnet_register_decdns.com` command procedure. Do the following:
  - a. Choose Option 3 on the `decnet_register_decdns` menu to create and populate a backtranslation directory (`.DNA_BackTranslation`).
  - b. Choose Option 2 to create a node synonym directory (`.DNA_NodeSynonym`).
  - c. Choose Option 2 on the `decnet_register` menu to register the new Version 2 clerk node (the node you are logged in to) and to register all other DECnet Phase IV nodes in the namespace including all nodes that are currently functioning as DNS Version 1 servers.

Refer to the *HP DECnet-Plus for OpenVMS Network Management* manual for complete information on how to use the `decnet_register` utility and the `decnet_register_decdns` command procedure to perform these steps.

#### B.3.2 Using the DNS Version 1 Namespace

When you have completed this step, the DNS Version 1 namespace is ready for use by other nodes running DECdns Version 2 on DECnet-Plus for OpenVMS software.

Perform this procedure only once to prepare a DNS Version 1 namespace for use with DECnet-Plus. After the node synonym and backtranslation directories are populated, you can configure new DECdns clerks, new DECdns servers (for VAX only) into an existing namespace (see Section 7.6.9), or convert existing DNS Version 1 servers to DECdns Version 2 format in the normal manner. Refer to the *HP DECnet-Plus for OpenVMS DECdns Management* manual for information on how to convert a DNS Version 1 clearinghouse to DECdns Version 2 format.

## B.4 Registering a Node in the Namespace

The `net$configure` procedure creates an Export/Import file to register your node in the appropriate namespace. If your node is already registered, the `decnet_register` Export/Import file is not created.

### B.4.1 Export/Import File Format

The `decnet_register` Export/Import file is a text file that has the following format where `<synonym>` is the node synonym name you selected during configuration:

```
sys$manager:decnet_register_import_file_<synonym>.TXT
```

### B.4.2 Problems Registering a Node

If you encounter problems registering your node in the Local namespace or in the DECdns namespace, you will see information similar to the following:

```
.
.
.
Updating nodes listed in SYS$MANAGER:DECNET_REGISTER_IMPORT_FILE_ELMER.TXT
  1) local:.elmer
Error - Node registration was unsuccessful
      Please correct any problems and re-register the node LOCAL:.elmer

      The specified node name is already in use as a synonym
      Used by node: LOCAL:.WABBIT.ELMER
      Synonym:      elmer

You can choose to stop processing this command, continue executing this
command until completion or until the next error, or ignore further errors
and continue to completion.

Number of nodes registered: 0
Number of nodes modified:  0
Number of update failures: 1

%NET$CONFIGURE-E-COULDNOTREG, could not automatically register node in the LOCAL
directory service
*****
                          WARNING
*****

This node could not be registered in one or more of the directory
services you have chosen.  When this procedure completes you or your
network manager will have to manually register this node in the directory
services for which the error occurred.  See the DECnet-Plus Installation
and Configuration guide for more details, or contact your network manager.

Once the problem has been rectified, you or your namespace manager can
use the following decnet_register commands to register your node in the
appropriate directory services:

      For the LOCAL directory service:
      DECNET_REGISTER IMPORT DIRECTORY LOCAL FILE -
      SYS$MANAGER:DECNET_REGISTER_IMPORT_FILE_ELMER.TXT

Once the node has been successfully registered in the appropriate
directory services, invoke option 2 of NET$CONFIGURE.COM (Change
node name/namespace name) to complete the node's network configuration
and startup.
*****
```



## Name Services

### B.4 Registering a Node in the Namespace

If `net$configure` cannot access the DECdns namespace you have selected, it is most likely because:

- The namespace is not available at the moment.
- Your node does not have proper access to the DECdns namespace.
- The namespace you are using is new and the directories have not been created yet.

When this happens, you will see the following message (this example uses ACME: as the namespace that is not accessible):

```
*****
                          WARNING
NET$CONFIGURE.COM cannot access the ACME: namespace, either because
the namespace is not available at the moment, your node does
not have proper access to the namespace, or because the namespace
you are using is new and the directories have not been created yet.
Therefore, the decnet_register tool cannot attempt to look up or register
your node into the ACME: namespace.

When the problem is rectified, please use the decnet_register import file
to register your node into the ACME: namespace.

*****
```

If you receive this message because the namespace you are using is new and the namespace directories have not been created yet, use the `decnet_register manage` command to invoke the `decnet_register_decdns` command procedure (located in `sys$manager:`) to create the proper directories. For more details, refer to the *HP DECnet-Plus for OpenVMS Network Management* manual.

If you see the preceding warning messages, `net$configure` will display another message indicating how you or your namespace manager can attempt node registration once the problem is resolved. For example:

```
*****
                          WARNING

This node could not be registered in one or more of the directory
services you have chosen.  When this procedure completes you or your
network manager will have to manually register this node in the directory
services for which the error occurred.  See the DECnet-Plus Installation
and Configuration guide for more details, or contact your network manager.

Once the problem has been rectified, you or your namespace manager can
use the following decnet_register commands to register your node in the
appropriate directory services:

    For the DECdns directory service:
    DECNET_REGISTER IMPORT DIRECTORY DECDNS FILE -
    DECNET_REGISTER_IMPORT_FILE_ELMER.TXT

    For the LOCAL directory service:
    DECNET_REGISTER IMPORT DIRECTORY LOCAL FILE -
    DECNET_REGISTER_IMPORT_FILE_ELMER.TXT

Once the node has been successfully registered in the appropriate
directory services, invoke option 2 of NET$CONFIGURE.COM (Change
node name/namespace name) to complete the node's network configuration
and startup.

*****
```



## Name Services

### B.4 Registering a Node in the Namespace

You may see the previous messages if you enter LOCAL for the primary directory service and DECDNS for the secondary directory service and your primary Local node full name does not have the proper access necessary to look up or register your secondary DECDns node full name.

If this is the case, you or your namespace manager need to perform the following steps on the node that has the DECDns server in order for your primary Local node to obtain this access to the DECDns namespace:

1. Make sure the .WorldRead\_Group is created on the DECDns server node. If the .WorldRead\_Group has not been created yet, use the `decnet_register` manage command to invoke the `decnet_register_decdns` command procedure (located in `sys$manager:`) to create the .WorldRead\_Group. For more details, refer to the *HP DECnet-Plus for OpenVMS Network Management* manual.
2. Once you or your namespace manager knows that the .WorldRead\_Group has been created, invoke the DNS\$CONTROL utility on the node with the DECDns server and enter the following commands:

```
$ mcr dns$control
DNS> add group <ns>:.worldread_group member local:.*...
DNS> add clear <ns>:.<ch_name>
access <ns>:.worldread_group as group for r,t
```

where <ns> is the DECDns namespace name to which you want your LOCAL node to have access and <ch\_name> is the clearinghouse name of the DECDns namespace you are using.

These commands will give your primary Local node full name the proper access it needs to look up information regarding the secondary DECDns full name you have chosen.

---

#### Note

---

If you use DECDNS for the primary directory service and LOCAL for the secondary directory service, these steps are not necessary.

---



---

## Configuring OSI Transport Over X.25 CONS

This appendix describes the steps necessary to configure the OSI transport to use the Connection-Oriented Network Service (CONS) provided by X.25 for OpenVMS. This appendix assumes that you are familiar with OSI application addressing, network service access points (NSAPs), and NSAP-to-X.25 address translation. For a complete explanation of these topics see the “Configuring X.25 Services” section in the *HP DECnet-Plus for OpenVMS Network Management* manual.

For most synchronous (WAN) devices, the `net$configure` procedure configures the devices to use the HDLC protocol. This blocks X.25 access to the same devices. Use the advanced configuration procedure to override this default by specifying none when prompted for the protocol to use with the device.

The `net$configure` procedure always configures the CLNS stack. You cannot use this procedure to configure the CONS stack alone. In addition, you must manually add specific NCL commands to the user-specified NCL startup scripts to complete the configuration, as shown in the following examples.

DECnet-Plus uses the `x25 access reachable` address entities to map network service access points (NSAPs) to their corresponding DTE classes. Set the default configuration to perform X.121 mapping without address extension facilities, as shown in this document. Use manual X.25 access reachable addresses only for destinations with non-X.121-based NSAPs.

---

### Note

---

X.25 software provides controls to screen incoming calls with the `x25 access filter` and `x25 access security filter` entities. These mechanisms allow you to define access to the system based on call data such as source and destination addresses. The examples below do not use them. See the *HP X.25 for OpenVMS Management Guide* and *HP X.25 for OpenVMS Security Guide* manuals for more information.

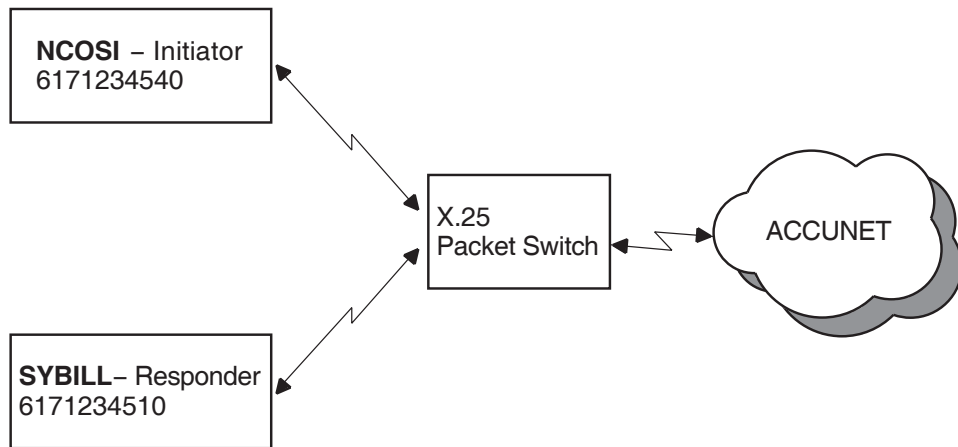
---

The following subsections show examples from procedures used to configure OpenVMS I64 and Alpha systems and OpenVMS VAX systems. The procedures were performed on pristine systems that include only the base operating system and the minimum appropriate licenses. The examples are based on a sample configuration discussed in the “Configuring X.25 Services” section in the *HP DECnet-Plus for OpenVMS Network Management* manual.

The sample configuration includes two end system implementations `ncosi` and `sybill` connected to a local X.25 packet switch, which in turn is connected to an AT&T Accunet line in the US, as shown in Figure C-1. The examples show the configuration process on node `ncosi`.

## Configuring OSI Transport Over X.25 CONS

**Figure C-1 Example OSI Transport over X.25 CONS Configuration**



ZK-8945A-GE

A summation of the pertinent configuration information is provided in Table C-1.

**Table C-1 Sample X.25 Configuration Information**

Parameter	Initiator	Responder
Node name	ncosi	sybill
X.25 profile	Accunet	Accunet
Accunet DNIC	3134	3134
Accunet international prefix	0	0
Accunet line addresses	6171234500-99	6171234500-99
X.25 network address	61712345	61712345
Local subaddress	40	10
X.121 address	31346171234540	31346171234510
AFI	36	36
NSAP	3631346171234540	3631346171234510

**Note**

The addresses shown in these examples differ from the ones listed in Table C-1. DECnet-Plus for OpenVMS requires an extra octet containing the NSAP length in digits to precede the actual NSAP value.

## Configuring OSI Transport Over X.25 CONS

### C.1 OpenVMS I64 and Alpha Configuration of OSI Transport Over X.25 CONS

## C.1 OpenVMS I64 and Alpha Configuration of OSI Transport Over X.25 CONS

Take the following steps to configure FTAM (and other OSI applications) with OSI Transport over X.25 CONS on an OpenVMS I64 or OpenVMS Alpha system. For more information on FTAM configuration, see the *DECnet-Plus FTAM and Virtual Terminal Use and Management* guide.

1. Install the DECnet-Plus base kit, as follows:

```
$ product install decnet_osi (decnet_plus on OpenVMS I64)
```

2. Configure DECnet-Plus with WAN drivers and an additional OSI template for the CONS protocol stack. Do not configure WAN devices for routing.

```
$ @net$configure advanced
```

Respond to the prompts as shown in this edited example:

```
... (Answer node, session control, and routing information questions)
* Do you want to configure Wide Area devices? Y
```

```
Configuring WANDD... ['?' for HELP]
```

```
%WANDD$CONFIGURE-I-WANDDNOTCONFIG, WANDD has not been configured.
```

```
Configure WANDD? Y
```

```
Configure built in serial port as synchronous? Y
```

```
Are you satisfied with your answers? [YES]
```

```
Available Synchronous Communication Ports:
```

```
1. ZRA0 - SSCC-0-0
```

```
%NET$CONFIGURE-I-SCANCONFIG, scanning device configuration - please wait
```

```
... (Configure any data links used for CLNS connections)
```

```
* Data Link protocol for ZR-0-0 (SSCC)? NONE
```

```
* Do you want to configure DECnet over X.25? N
```

```
* Configure the NSP Transport? Y or N
```

```
... (If needed, configure all NSP transport parameters)
```

```
* Configure the OSI Transport or run over TCP/IP? Y
```

```
... (Configure all OSI transport parameters)
```

```
* Do you want to create additional OSI templates? Y
```

```
* Type of network service (CLNS/CONS/RFC1006)? CONS
```

```
* Name of the OSI template? CONS
```

```
* Will this template be used for inbound packets?
```

```
* Transport classes to support? 0,2,4
```

```
* CONS template name? OSI Transport
```

```
* Allow use of expedited data ?
```

```
* Allow use of Checksums?
```

```
* Do you want to create additional OSI templates? N
```

```
... (Continue with configuration until completed)
```

3. Install X.25 for OpenVMS, as follows:

```
$ product install x.25
```

4. Configure and start X.25, as follows:

```
$ @x25$configure advanced
```

## Configuring OSI Transport Over X.25 CONS

### C.1 OpenVMS I64 and Alpha Configuration of OSI Transport Over X.25 CONS

Respond to the prompts as shown in this edited example:

```
Configuring WANDD... ['?' for HELP]
%WANDD$CONFIGURE-I-WANDDCONFIG, WANDD is already configured.

Current Configuration:
1. Autoconfigure device drivers      :   YES

Change your current configuration? [NO]
Are you satisfied with your answers? [YES]
The screen will be cleared. Press RETURN to continue...
... (View Introduction screen)
Create a new configuration script (from Main Menu screen)
... (View CREATE Introduction screens)
Do you want to configure any Remote DTE Classes? N
Do you want to configure any synchronous lines? Y
Select a synchronous line to configure: SCC-0-0
... (Enter the line's speed)
Link Name: link-0
DTE Name: dte-0
X.25 Address: 61712345
Profile Name: ACCUNET
DTE Interface Type: DTE
Incoming Logical Channel Range: {[1..127]}
Outgoing Logical Channel Range: {[1..127]}
... (Change any DTE characteristics from profile values as needed)
Do you want to use LLC2 communications? N
Do you want to use XOT communications? N
Do you want to set up any PVCs? N
Do you want to create Closed User Groups? N
Do you want X.29 support? N
Do you want to use X.25 Mail?
Do you want to create any applications? N
Do you want to configure any X.25 Relay Clients? N
Do you want to set up additional filters? N
Do you want to set up additional templates? N
Do you want to specify reachable addresses? N
Do you want to configure any Server Clients? N
Allow all X.25 calls (from X.25 Security menu)
Do you want to modify your answers? N
```

5. The configuration procedures in steps 2 and 4 do not account for local X.25 address formats. Modify the configuration by adding the following NCL commands to the sys\$startup:x25\$extra\_set.ncl startup script file:

```
set lapb link link-0 sequence modulus 8
!
! Add ACCUNET profile characteristics to DTE Class accunet
set x25 access dte class accunet international prefix 0
set x25 access dte class accunet dnrc 3134
set x25 access dte class accunet strip dnrc true
!
! Add dte class characteristic to stock DTE Class x121d
set x25 access reachable address x121d dte class accunet
!
! Add local subaddress characteristics to stock Template "OSI Transport"
set x25 access template "OSI Transport" local subaddress 40
```

6. Install FTAM and the other OSI applications so that you can use these applications with the OSI transport over CONS, as follows:

```
$ product install osak, ftam, vt
```

7. Configure FTAM, as follows (see Section 13.6):

```
$ @osif$configure
```

## Configuring OSI Transport Over X.25 CONS

### C.1 OpenVMS I64 and Alpha Configuration of OSI Transport Over X.25 CONS

8. Add FTAM service aliases to the OSI applications database, as follows (see Chapter 14):

```
$ edit/edt sys$system:isoapplications.dat
```

9. Start OSAK and FTAM, as follows (see Section 13.4):

```
$ @sys$startup:osak$start  
$ @sys$startup:osif$startup
```

10. Manually enter the following NCL commands to provide the local NSAP information for OSI Transport entities:

```
ncl> add osi transport cons nsap addresses {/103631346171234540 }  
ncl> set osi transport template cons local nsap /103631346171234540
```

### C.2 OpenVMS VAX Configuration of OSI Transport Over X.25 CONS

Take the following steps to configure FTAM (and other OSI applications) with OSI Transport over X.25 CONS on OpenVMS VAX systems. For more information on FTAM configuration, see the *DECnet-Plus FTAM and Virtual Terminal Use and Management* guide.

1. Install DECnet-Plus base kit with the X.25 software, as follows:

```
$ product install decnet_osi
```

2. Configure DECnet-Plus with WAN drivers and an additional OSI template for the CONS stack. Do not configure WAN devices for routing.

```
$ @net$configure advanced
```

Respond to the prompts as shown:

```
. . . (Answer node, session control, and routing information questions)
```

```
* Do you want to configure Wide Area devices? Y
```

```
  This is the Configuration Procedure for the
```

```
  =====
```

```
      VAX Wan Device Drivers for DECnet-Plus for VMS
```

```
      =====
```

```
The Wide Area Network Datalinks and Drivers are a prerequisite  
for DECnet-Plus. They also provide synchronous datalinks in  
systems that do not use DECnet-Plus for networking.
```

## Configuring OSI Transport Over X.25 CONS

### C.2 OpenVMS VAX Configuration of OSI Transport Over X.25 CONS

```
Do you wish to use WANDRIVER? Y
Will you use DEC HDLC? N
Will you use LAPB/E? Y
Do you have any soft-loadable microcode devices on this system? Y
Will you use the VAXft DSF32 device driver? N
Are you satisfied with the answers you have given? Y
%NET$CONFIGURE-I-SCANCONFIG, scanning device configuration - please wait
* Do you want asynchronous datalink support? N
  ... (Configure any data links used for CLNS connections)
* Data Link protocol for DSV-0-0 (DSV-11)? NONE
* Data Link protocol for DSV-0-1 (DSV-11)? NONE
* Do you want to configure DECnet over X.25? N
* Configure the NSP Transport? Y or N
  ... (If needed, configure all NSP transport parameters)
* Configure the OSI Transport or run over TCP/IP? Y
  ... (Configure all OSI transport parameters)
* Do you want to create additional OSI templates? Y
* Type of network service (CLNS/CONS/RFC1006)? CONS
* Name of the OSI template? CONS
* Will this template be used for inbound packets?
* Transport classes to support? 0,2,4
* CONS template name? OSI Transport
* Allow use of expedited data ?
* Allow use of Checksums?
* Do you want to create additional OSI templates? N
  ... (Continue with configuration until completed)
```

3. If you did not install the X.25 software (by selecting the VAX P.S.I. or P.S.I. Access software and VAX Wide Area Device Drivers installation options), install them now.

4. Configure and start the X.25 software, as follows:

```
$ @psi$configure
```

Respond to the prompts as shown:

```
Create a new configuration (from the Main Menu)
  ... (View CREATE Introduction screens)
Configuration Type: Native
Do you want to configure any synchronous lines? Y
  ... (Enter the line's speed)
X.25 DTE Address: 61712345
Logical Channel Ranges: [[1..127]]
Profile Name: ACCUNET
  ... (Change any DTE characteristics from profile values as needed)
DTE Class: ACCUNET
Do you wish to set up any PVCs? N
Do you wish to create any Closed User Groups? N
Do you wish to use LLC2 communications? N
Do you want to use P.S.I. Mail? N
Do you want X.29 support? N
Do you wish to set up any applications? N
Do you wish to set up additional templates? Y
Template Name: "OSI Transport"
DTE Class: ACCUNET
Call Data: %x03010100
  ... (Except for the following fields, take the defaults)
Charging Information: NO
Local Subaddress: 40
NSAP Mapping: YES
Do you want X.25 or X.29 programs to specify filter names in $QIO calls? YES
Do you want IO$_ACPCONTROL calls issued by your programs to name any
dynamic filters? NO
Do you want IO$_ACPCONTROL calls issued by your programs to name any
static filters? YES
```



## Configuring OSI Transport Over X.25 CONS

### C.2 OpenVMS VAX Configuration of OSI Transport Over X.25 CONS

```
Filter Name: "OSI Transport"  
Call Data Value: %x03010100  
Call Data Mask: %xFFFFFFFF  
Do you want to set up X.25 Security? NO  
Do you wish to create an NCL script now? Yes
```

5. The configuration procedures in steps 2 and 4 do not account for local X.25 address formats. In addition, when using X.25 for OpenVMS VAX, you must create the X.25 reachable address x121d. Modify the configuration by adding the following NCL commands to the sys\$startup:psi\$enable\_decnet\_clients.ncl startup script file:

```
!  
! Add ACCUNET profile characteristics to DTE Class accunet  
set x25 access dte class accunet international prefix 0  
set x25 access dte class accunet dnic 3134  
set x25 access dte class accunet strip dnic true  
$!  
$! Create X.25 Reachable Address x121d  
create x25 access reachable address x121d address prefix /36  
set x25 access reachable address x121d mapping x.121  
set x25 access reachable address x121d dte class accunet  
set x25 access reachable address x121d address extensions true
```

6. Install FTAM and the other OSI applications, as follows:

```
$ product install osak, ftam, vt
```

7. Configure FTAM, as follows (see Section 13.6):

```
$ @osif$configure
```

8. Add FTAM service aliases to the OSI applications database, as follows (see Chapter 14):

```
$ edit/edt sys$system:isoapplications.dat
```

9. Start OSAK and FTAM, as follows (see Section 13.4):

```
$ @sys$startup:osak$start  
$ @sys$startup:osif$startup
```

10. Manually enter the following NCL commands to provide the local NSAP information for OSI Transport entities:

```
ncl> add osi transport cons nsap addresses {/103631346171234540 }  
ncl> set osi transport template cons local nsap /103631346171234540
```



---

## Configuring Link State Routing Nodes Using the ISIS\$CONFIGURE Procedure

This appendix describes how to use the `isis$configure` procedure to configure routing. The `net$configure` procedure supports configuring host-based routing nodes that use the routing vector routing algorithm. If you want to create a host-based routing node that uses the link state routing algorithm, you must use the `isis$configure` procedure.

### D.1 Prerequisites

The `isis$configure` procedure requires the following be in place before you invoke the procedure:

- The user account has `SYSPRV` and `OPER` privileges. HP recommends that you invoke the procedure from the `SYSTEM` account.
- The `net$routing_startup.ncl` script file created by the `net$configure` procedure must be available in the `sys$manager:` directory and must include configuration information for all LAN routing circuits (both CSMA-CD and FDDI) that you want to include in your host-based routing configuration. Also, the associated `net$csmacd_startup.ncl` and `net$fddi_startup.ncl` script files must be present.
- WANDD software must be installed. This installation creates the `wandd$devices.dat` in the `sys$manager:` directory. This file is not required if your configuration does not include any synchronous devices.

### D.2 Dialog Structure

The `isis$configure` procedure begins by configuring the node's routing parameters. These parameters include the following:

- Type of router required (Level 1 or Level 2)
- Routing protocol to use at each routing level
- Phase IV address (0.0 if no Phase IV address is required)
- Zero or more Phase V area addresses (one or more if no Phase IV address)

When the routing dialog completes, the procedure displays a menu of routing circuit types. You must select and configure all desired routing circuits. This is true even though you configured these circuits using `net$configure`. If you fail to configure a routing circuit using the `isis$configure` procedure, it will not be present in the final configuration.

In addition to configuring the routing circuits, you must also create routing reachable addresses for any X.25 dynamically-assigned circuits you configure.

## Configuring Link State Routing Nodes Using the ISIS\$CONFIGURE Procedure

### D.2 Dialog Structure

You will also be given the option of creating interphase circuits for all synchronous, asynchronous, and X.25 routing circuits. See the *HP DECnet-Plus for OpenVMS Network Management* manual for more information about interphase circuits. This manual describes the preferred method of creating these circuits if your network is complex.

### D.3 Outputs

The `isis$configure` procedure generates a new `net$routing_startup.ncl` script. The existing `net$csmacd_startup.ncl` and `net$fddi_startup.ncl` scripts are retained. The copy of the `net$routing_startup.ncl` file created by the `net$configure` procedure is renamed to `*.ncl-old`.

If synchronous or asynchronous routing circuits are created, all necessary Modem Connect, DDCMP, and HDLC NCL commands are placed in the new `net$routing_startup.ncl` script; any existing `net$modem_startup.ncl`, `net$ddcmp_startup.ncl`, and `net$hdlc_startup.ncl` files are renamed to `*.ncl-old`.

### D.4 Dialog

The dialog begins with an opening screen:

```
IS-IS Routing for OpenVMS configuration procedure
-----
```

This command procedure creates a script for use by IS-IS Routing.

The procedure assumes that you have performed a basic configuration of your DECnet-Plus for OpenVMS system, and that you now have the following:

- A basic routing script (`SYSS$MANAGER:NET$ROUTING_STARTUP.NCL`)
- A CSMA-CD script (`SYSS$MANAGER:NET$CSMACD_STARTUP.NCL`).

#### NOTE

If you are setting up X.25 circuits, you must install X.25 software and use the X.25 configuration procedure to define the templates and filters required by X.25 routing circuits.

If you are setting up synchronous circuits, you must install WANDD.

This command procedure prompts you for the following information:

Press RETURN to continue

The opening screen continues:

- Type of system being configured (Level 1 or Level 2)
- Your Phase IV Address and Prefix
- One or more Manual Area Addresses
- Routing subentities - Circuits and Reachable Addresses (Use the menu displayed)

To obtain help for any question, enter ? as the answer.

Time is 10:20 29-OCT-2004.

\_Press RETURN to continue:

## Configuring Link State Routing Nodes Using the ISIS\$CONFIGURE Procedure D.4 Dialog

The dialog begins the routing configuration by asking what type of router you want to configure (Level 1 or Level 2).

- Level 1 routers route packets between systems in the local area. Level 1 routing is carried out by both Level 1 and Level 2 routers.
- Level 2 routers route packets to other areas of the network as well as within the local area. Level 2 routing is only carried out by Level 2 routers.

Enter the type of router you require:.

```
_Enter type of Router required (L1 or L2) [L1]:
```

Next, the procedure asks for the routing protocols to use. Table D–1 discusses the possible configurations and the reasons for selecting them.

**Table D–1 Routing Protocol Options**

Level 1 Phase IV Level 2 Phase IV	If the entire routing domain uses Phase IV routing.
Level 1 Phase IV Level 2 Phase V	If the local area uses Phase IV routing and Phase V routing is used between areas.
Level 1 Phase V Level 2 Phase IV	If the local area uses Phase V routing and Phase IV routing is used between areas.
Level 1 Phase V Level 2 Phase V	If the entire routing domain uses Phase V routing.

Enter the routing protocols to use:

```
Select the routing options:
```

```
[1] Level 1 Phase IV, Level 2 Phase IV
```

```
[2] Level 1 Phase IV, Level 2 Phase V
```

```
[3] Level 1 Phase V, Level 2 Phase IV
```

```
[4] Level 1 Phase V, Level 2 Phase V
```

```
_Type [4]: ?
```

The procedure asks for the node's Phase IV address. Enter the value 0.0 if you do not want this node to have a Phase IV compatible address. Note that if you have chosen to run the Phase IV routing algorithm at any level you **MUST** enter a Phase IV address; if you have chosen to use the Phase V link state routing algorithm at all levels you **CANNOT** enter a Phase IV address.

Enter the node's Phase IV address or 0.0:

```
_Enter the Phase IV address [24.66]:
```

If you have indicated you want to use Phase V link state routing at any level, you must enter at least one, and up to three, manual area addresses. If you have entered a Phase IV address, the procedure automatically converts that address to a Phase V area address. Optionally, you can enter up to two more Phase V area addresses.

You must enter the Phase V area address in DNA format:

```
aa:[ii...i]:[pp-....-pp-]ll-ll
```

## Configuring Link State Routing Nodes Using the ISIS\$CONFIGURE Procedure D.4 Dialog

where *aa* is the AFI, *ii...i* is the IDI (null for AFI 49), *pp-...-pp* is the pre-DSP (usually null), and *ll-ll* is the local area (00-01 to 00-3F [1 - 63] used for Phase IV compatible addresses). For example, 49::00-4F is valid Phase V area address using the private AFI value of 49 and the local area 79. For more information about the format of area addresses and NSAPs, see the *DECnet-Plus Planning Guide* manual.

Enter a Phase V area address (press return when you are finished entering the addresses):

\_Enter Phase V area address:

The procedure now displays the routing circuit menu:

```
Routing configuration menu
-----
Configured node type: L2Router
Please select an option
[1]: LAN circuits
[2]: Synchronous circuits
[3]: X.25 circuits
[4]: Reachable Addresses
[5]: Generate script and exit
[6]: Quit (no script)
[7]: Asynchronous circuits
_Option [5]:
```

Enter your selection as follows:

1. Select 1 to configure CSMA-CD and FDDI routing circuits.
2. Select 2 to configure WANDD device (synchronous) routing circuits. The WANDD software must be installed if you select this option.
3. Select 3 to configure X.25 routing circuits.
4. Select 4 to configure reachable addresses if you have configured an X.25 dynamically-assigned routing circuit.
5. Select 5 to generate the NCL startup scripts and exit the configuration procedure.
6. Select 6 to quit the configuration procedure and lose all configuration data entered. The NCL startup scripts created by `net$configure` are left untouched.
7. Select 7 to create asynchronous DDCMP routing circuits on OpenVMS VAX systems.

If you select one of the circuit configuration options or the reachable address configuration option, the procedure returns to this menu after configuring the requested item. You must select either 5 or 6 to exit the procedure. You can select an option you already selected. If you have already configured a routing entity, the procedure asks if you want to reconfigure the entity.

### D.4.1 LAN and Synchronous Circuit Dialogs

If you select option 1 or 2, the procedure begins the individual LAN or synchronous routing circuit dialogs. Each dialog begins with a display of the devices available for configuration:

This section configures CSMA-CD and FDDI circuits for use by Routing.

Select a device to be configured

	Device	Circuit Name	Data Link Entity
	-----	-----	-----
[1]	FRA		FDDI Station FDDI-0
[2]	Return to main menu		

\_Option [2]:

For LAN circuits, the data link entity name is taken from the existing NCL startup scripts generated by net\$configure. For all other circuits, the data link entity name is created by the isis\$configure procedure.

Select the circuit to configure.

After you select a circuit, the procedure asks for the name to use when creating the circuit:

\_Circuit name [FDDI-0]:

Next, the procedure asks if you want the circuit enabled on system startup:

\_Enable circuit on system startup [yes]:

The procedure then asks if you want to take the defaults for the circuit:

\_Do you wish to accept the default circuit configuration [yes]:

The default configuration sets the following characteristics:

- Data link protocol (synchronous circuits only)
- Level 1 circuit cost
- Level 1 router priority (LAN circuits only)
- Level 2 circuit cost (if Level 2 router)
- Level 2 router priority (LAN circuits only, if Level 2 router)

If you decide to manually configure the circuit, the procedure asks you for values for the same characteristics.

### D.4.2 X.25 Routing Circuit Dialog

If you select option 3, the procedure begins the individual X.25 routing circuit dialog. The X.25 routing circuit dialog begins with the following introductory screen (it's actually more than a screen, so scroll back to see the entire introduction):

There are four types of X.25 routing circuits: static outgoing, static incoming, permanent, and dynamically assigned. Dynamically assigned circuits are only supported on Level 2 Router configurations.

Static outgoing, and static incoming circuits operate over a single X.25 switched virtual circuit (SVC).

A permanent circuit operates over a single X.25 permanent virtual circuit (PVC).

## Configuring Link State Routing Nodes Using the ISIS\$CONFIGURE Procedure D.4 Dialog

A dynamically assigned circuit operates over a number of X.25 switched virtual circuits (SVCs).

Use the X.25 configuration program to configure X25 Access templates and filters along with PVCs, following these guidelines:

- Set the X25 Access template call data attribute to %X81
- Set the X25 Access filter call data value attribute to %X81
- Set the X25 Access filter call data mask attribute to %XFF.

Select the type of X.25 circuit required:

- [1] Static Outgoing
- [2] Static Incoming
- [3] Permanent
- [4] Dynamic Assigned
- [5] Return to main menu

\_Option [5]:

Enter your selection.

After you select a circuit type, the procedure asks for the name to use when creating the circuit:

\_Circuit name [X25-OUT-0]:

For permanent circuits, the procedure asks for the name of the X.25 PVC you want to use when creating the routing circuit:

\_X25 PVC name [X25-PVC-0]:

For static and dynamically-assigned circuits, the procedure asks for the name of the X.25 template you want to use when making or accepting a connection:

\_X25 Access template name [X25-OUT-0]:

For static incoming and dynamically-assigned circuits, the procedure asks for the name of the X.25 filter you want to use when accepting a connection:

\_X25 Access filter name [X25-IN-0]:

The procedure asks if you want the circuit enabled on system startup:

\_Enable circuit on system startup [yes]:

For all circuit types except the dynamically-assigned type, the procedure then asks if you want to take the defaults for the circuit:

\_Do you wish to accept the default circuit configuration [yes]:

The default configuration sets the following characteristics:

- Level 1 circuit cost
- Level 2 circuit cost (if Level 2 router)

If you decide to manually configure the circuit, the procedure asks you for values for the same characteristics.



### D.4.3 Reachable Address Dialog

If you select option 4, the procedure begins the individual reachable address dialog. The dialog begins with a display of the circuits available for creating reachable addresses:

Select the circuit which connects to the routing domain

	Name	Type
	----	----
[1]	X25-DA-0	X25 DA
[2]	X25-DA-1	X25 DA
[3]	Return to main menu	

\_Circuit [3]:

Select the circuit for which you want to create a reachable address.

The procedure asks for the name to use when creating the reachable address:

\_Reachable Address name:

Next, the procedure asks for the address prefix to use. Enter the leading digits of an NSAP address, or a full NSAP address.

The address you enter is entered in a reachable-address table. This table tells the IS-IS router about non-DECnet-Plus systems that are reachable from the local domain.

When a Level 2 router receives a packet with a destination address that matches an address prefix in its reachable address table, the packet is forwarded to another Level 2 router, which can send it to its destination.

Enter the prefix in DNA format (see the *DECnet-Plus Planning Guide* manual):

\_Reachable Address prefix:

The procedure asks for the routing cost associated with this reachable address:

\_Reachable Address cost [20]:

Next, the procedure asks for the list of DTE addresses associated with this reachable address (separate addresses using commas):

\_Destination DTE address list:



## A

---

- Address Format Worksheet, 14–8
- ADVANCED configuration option, 4–1, B–5
  - invoking, 6–1, 7–2
- Alternate node synonym directory
  - defining logicals, B–4
  - format for defining, B–4
  - when used, B–4
- Application database
  - configuring, 6–41, 7–31
- Application entities
  - reconfiguring with site-specific NCL scripts, 7–50
- Asynchronous data links
  - configuration, 6–17
  - dynamic description, 6–19
  - static description, 6–18
  - switching terminal lines for, 6–20
- Autoconfiguring
  - network addresses, 6–12
- Autoconfiguring a satellite node, 7–41
- AUTOGEN utility
  - running, 1–8

## B

---

- Backing up system disk
  - before installing software, 1–9, 9–5, 12–6
- Base components
  - configuring, B–1
- BASIC configuration option, 4–1, B–5
  - invoking, 6–1, 7–2

## C

---

- Changing
  - X.25 configuration, 8–27
- Characters
  - valid for full name, 6–6, 6–8
- Checklist
  - installation, 2–2
  - X.500 configuration, 14–7
- Circuit cost
  - specifying, 6–22

- CLNS
  - configuring, 6–34
- Cluster alias
  - configuring, 6–44, 7–38
- CMIP Management Listener
  - See* CML
- CML account
  - configuring, 6–41
- Command procedure
  - net\$configure, 4–3
  - psi\$configure, 8–4
  - psi\$ctp, 8–26
- Commands
  - DCL
    - for starting FTAM, 13–4
    - for starting OSAK, 13–4
    - for starting VT, 13–4
    - for stopping FTAM, 13–4
    - @sys\$startup:osak\$start.com, 13–4
- Configuration
  - application database, 6–41, 7–31
  - asynchronous data links, 6–17
  - autoconfiguring satellite nodes, 7–41
  - changing
    - current configuration, 5–4, 6–49
    - entire configuration, 7–5
    - the directory name services, 7–6
    - the system's namespace, 7–6
    - the system's node name, 7–6
    - the system's node synonym, 7–6
  - choosing options, 4–1, 7–1
  - CLNS, 6–34
  - cluster alias, 6–44, 7–38
  - CONS, 6–35
  - customizing, 7–50
  - data links, 6–21
  - DECdns clerk system
    - joining a WAN DECdns namespace, 7–10
  - DECdns server system
    - joining existing DECdns namespace, 7–24
  - DECdts, 7–27
  - DECnet over X.25, 6–23, 11–1
  - devices, 6–15, 7–24
  - device scan, 6–17
  - directory name services, 6–4
  - event dispatcher, 6–36, 7–31
  - flowchart, 3–3, 3–5, 8–3, 10–3

## Configuration (cont'd)

- host-based routing, 6–9
- inactive area address, 6–35
- list of tasks involved, 3–2
- modifying, 7–1 to 7–50
- MOP client, 6–43, 7–39
- MOP client database, 7–36
- namespace modification, 6–47
- NCL scripts, 6–46, 7–49
- net\$configure, 4–1
- network addresses, 6–12
- NSP transport, 6–26
- of base components, B–1
- of DECnet over X.25, 6–23
- of network, 4–1
  - advanced, 6–1 to 6–49
  - basic, 6–1 to 6–49
  - fast, 5–1 to 5–4
- opening messages, 6–1
- OSI templates, 6–31
- OSI transport, 6–28
- Phase IV conversion options, 6–3
- procedure
  - main menu, 7–4
  - menu options, 7–4
- reachable addresses, 6–25
- reachable address prefix, 6–25
- requirements, 2–1
- RFC 1006, 6–29, 6–35
- routing circuits, 6–21
- routing parameters, 6–9 to 6–15
- routing protocol, 6–34
- running net\$configure, 4–3
- satellite nodes, 7–40, 7–43
- selection weight, 6–45
- starting the network, 6–46, 7–50
- summary display, 6–45, 7–48
- time zone differential factors, 6–36
- transports, 6–26 to 6–36, 7–25
- verifying, 6–45, 7–48
- WANDD devices on Alpha system, 6–16
- WANDD devices on I64 system, 6–16
- WANDD devices on VAX system, 6–16
- X.25 (OpenVMS I64/Alpha)
  - See X.25 (OpenVMS I64/Alpha), configuration
- X.25 (OpenVMS VAX)
  - See X.25 (OpenVMS VAX), configuration
- X.25 access template, 6–24
- Congestion avoidance, 6–30
- Connectionless-mode Network Service
  - See CLNS
- Connectionless Network Service
  - See CLNS
- Connection Oriented Network Service
  - See CONS

## Conventions

- of net\$configure, 4–3

## D

---

### Data links

- configuring, 6–21

### DCL

- reply command, 1–9, 9–6, 12–6
- show device command, 1–5
- show memory command, 1–5

### DECdns clerk system

- converting from a DECdns server, 7–17
- converting to a DECdns server, 7–11
- joining a WAN DECdns namespace, 7–10
- reverting to a DECdns server, 7–18

### DECdns namespace

- adding to a Local-only configuration, 7–8
- full name, 6–6
- using as a secondary namespace, 7–21
- valid characters, 6–6, 6–8

### DECdns server system

- converting from a DECdns clerk, 7–11
- converting to a DECdns clerk, 7–17
- joining existing DECdns namespace
  - configuring, 7–24
- reverting from a DECdns clerk, 7–18
- using DECdns namespace as secondary, 7–21

### DECdts

- configuring, 7–27

### DECnet over TCP/IP

- See RFC 1006

### DECnet over X.25

- configuring, 6–23, 11–1

### DECnet-Plus

- configuration default values, 4–3
- configuration options, 4–1
- configuration requirements, 2–1
- installation, 1–1
- installation time, 1–3
- license requirements, 1–4
- node name, 6–6
- online release notes, 1–2
- pre-installation
  - accessing the release notes, 1–2
- prerequisite software, 1–3
- release notes, 1–2
  - extracting to a file, 1–2
  - location, 1–2
  - required hardware, 1–3
- decnet\_migrate, B–5
- decnet\_register, B–5
  - export file, B–7
  - import file, B–7

### De-installation example

- FTAM, 13–12
- OSAK, 13–12
- OSI applications, 13–11

- De-installation example (cont'd)
  - VT, 13–11
  - X.25 (OpenVMS I64/Alpha), 10–9
- Devices
  - configuring, 6–15, 7–24
  - reconfiguring, 7–24
  - scan for, 6–17
- Directory name services
  - changing, 7–6
  - DECdns, 6–4, 6–5
  - DNS/BIND, 6–4, 6–5, B–3
  - Local namespace, 6–4, 6–5
  - node full name, 6–6
  - specifying, 6–4
  - specifying in user-defined script, 7–50
- Disk space requirements
  - base components installation, 1–5
  - DECdts server installation, 1–5
  - FTAM installation, 1–5
  - installation, 1–5
  - OSAK installation, 1–5
  - software installation, 1–5
  - Virtual terminal installation, 1–5
- Distribution kit
  - contents
    - DECnet-Plus, 1–1
    - OSI applications, 12–1
    - X.25 for OpenVMS, 9–1
  - locating
    - DECnet-Plus, 1–1
    - OSI applications, 12–1
    - X.25 for OpenVMS, 9–1
- Distribution media
  - mounting, 3–7, 3–8, 3–9, 10–5, 10–7
- DNA address format, 6–13
- DNA format for NETs, 6–13
- DNS version 1
  - namespace preparation, B–5
  - using with DECdns Version 2, B–5
- Domain synonym, B–3
  - node, B–3
  - search path naming template support, B–3
- Dynamic asynchronous data links, 6–19

## E

---

- End node information
  - specifying, 6–12
- ES Cache Size
  - routing default, 6–15
- ESHello Timer
  - routing default, 6–14
- Event dispatcher
  - configuring, 6–36, 7–31
  - outbound streams, 6–39
  - Phase IV relay, 6–41
  - reconfiguring with site-specific NCL scripts, 7–50

- Event dispatcher (cont'd)
  - sinks, 6–37
- Exiting
  - from X.25 configuration program (OpenVMS VAX), 8–9
- Expedited data, 6–34
- Export file, B–7
  - decnet\_register, B–7
- Extended addresses, 6–12

## F

---

- FAL account
  - configuring, 6–41
- FAST configuration option, 4–1
  - invoking, 5–1
- FDDI large packet support, 6–21
- File Access Listener
  - See* FAL
- Files
  - installed
    - DECnet-Plus, 3–11
    - OSI applications, 13–8
    - X.25 for OpenVMS, 10–10
  - system, A–1
- FTAM
  - starting, with network startup file, 13–4
  - stopping, 13–4
- Full name
  - node, 6–6
  - valid characters, 6–6, 6–8

## G

---

- Generating NCL scripts, 6–46, 7–49
- Greenwich Mean Time (GMT)
  - definition, 7–27

## H

---

- Hardware requirements
  - DECnet-Plus, 1–3
  - OSI applications, 12–3
  - X.25 for OpenVMS, 9–3
- Host-based routing, 6–9

## I

---

- IDP
  - default, 6–11
  - standards, 6–11
  - supplying, 6–11
- Import file, B–7
  - decnet\_register, B–7
- Inactive area address
  - configuring, 6–35

- Initial Domain Part
  - see* IDP, 6–11
- Initializing
  - FTAM, 13–4
  - OSAKserver, 13–4
  - VT, 13–4
- Installation
  - checklist, 2–2
  - components included, 3–1
  - DECnet-Plus for OpenVMS (Alpha), 3–2
  - DECnet-Plus for OpenVMS (I64), 3–2
  - DECnet-Plus for OpenVMS (VAX), 3–4
  - example
    - DECnet-Plus for OpenVMS (Alpha), 3–8
    - DECnet-Plus for OpenVMS (I64), 3–7
    - DECnet-Plus for OpenVMS (VAX), 3–9
    - FTAM, 13–9
    - OSAK, 13–8
    - OSI applications, 13–8
    - VT, 13–10
    - X.25 for OpenVMS (Alpha), 10–7
    - X.25 for OpenVMS (I64), 10–5
  - for Alpha flowchart, 10–2
  - installed files
    - DECnet-Plus, 3–11
    - OSI applications, 13–8
    - X.25 for OpenVMS, 10–10
  - list of tasks involved, 3–2
  - net\$configure, how to run, 4–3
  - OpenVMS for Alpha flowchart, 3–3
  - OpenVMS for I64 flowchart, 3–3
  - OpenVMS for VAX flowchart, 3–5
  - rebooting after, 3–12
  - recommended order, 10–1
    - DECnet-Plus, 3–2
  - required system parameters, 1–6
  - rights identifiers added
    - DECnet-Plus, 3–11
  - system files loaded during, A–1
  - time required for
    - DECnet-Plus, 1–3
    - OSI applications, 12–3
    - X.25 for OpenVMS, 9–3
- Installation (VAX only)
  - flowchart, 8–3
- Installation planning checklist, 2–2
- Installation procedure
  - DECnet-Plus, 3–6 to 3–10
  - OSI applications, 13–1 to 13–4
  - X.25 for OpenVMS, 10–4 to 10–8
- Installed files
  - DECnet-Plus, 3–11
  - OSI applications, 13–8
  - X.25 for OpenVMS, 10–10
- Integrated mode routing, 6–14
- Intermediate system, 6–12

- isis\$configure, D–1
- isoapplications database, 14–1

## L

---

- Link state routing, 6–10, D–1
- Local aliases, B–4
- Local time
  - configuring
    - as UTC, 7–30
    - using established rules, 7–28

## M

---

- Manually configuring
  - network addresses, 6–13
- Maximum path splits, 6–10
- Migration
  - using search path, B–2
- Modifying
  - your X.25 configuration, 8–27
- Modifying search path information, B–1
- MOP client
  - configuring, 6–43, 7–39
- MOP client database
  - configuring, 7–36
  - reconfiguring with site-specific NCL scripts, 7–50
- Multihoming, 6–12

## N

---

- Name service
  - primary, 6–5
  - search path, 6–5
  - secondary, 6–5
- Namespace
  - directory path, 7–33
    - valid characters in, 6–6, 6–8
  - modification during configuration, 6–47
  - nickname, 7–33
    - valid characters in, 6–6, 6–8
  - node object, 7–33
    - valid characters in, 6–6, 6–8
  - preparation
    - DNS version 1, B–5
- Naming cache checkpoint interval, 6–8
- Naming cache timeout value, 6–8
- Naming template
  - setting up for search path, B–3
  - support for domain synonyms, B–3
- NCL
  - cluster-common scripts, 7–44
  - creating site-specific search path script, B–2
  - generating scripts, 6–46, 7–49
  - site-specific scripts, 7–50
  - system-specific scripts, 7–44
  - user-defined scripts, 7–50

- NET, 6-12
  - autoconfiguring, 6-12
  - DNA format, 6-13
  - example, 6-13
  - manually configuring, 6-13
  - transport selector field, 6-12, 6-13
- net\$configure, 4-1
  - configuring DECdts, 7-27
  - conventions, 4-3
  - how to run, 4-3
  - main menu, 7-4
  - menu display, 7-1
  - menu options, 7-4
  - option 1, 7-5
  - option 10, 7-39
  - option 11, 7-40
  - option 12, 7-44
  - option 2, 7-6
  - option 3, 7-24
  - option 4, 7-25
  - option 5, 7-27
  - option 6, 7-31
  - option 7, 7-31
  - option 8, 7-36
  - option 9, 7-38
  - privileges required to run, 1-8
  - starting
    - advanced, 6-1, 7-2
    - basic, 6-1, 7-2
    - fast, 5-1
- NET\$DECLAREOBJECT
  - rights identifier, 3-11
- NET\$DECNETACCESS
  - rights identifier, 3-11
- NET\$DIAGNOSE
  - rights identifier, 3-11
- NET\$EXAMINE
  - rights identifier, 3-11
- NET\$MANAGE
  - rights identifier, 3-11
- NET\$POSTEVENT
  - rights identifier, 3-11
- NET\$REGISTERDNSOBJECT
  - rights identifier, 3-11
- NET\$SECURITY
  - rights identifier, 3-11
- net\$startup, 6-46, 7-50
- NET\$STARTUP\_MOP logical, 6-43
- NET\$TRACEALL
  - rights identifier, 3-11
- NET\$TRACEALLREMOTE
  - rights identifier, 3-11
- NET\$TRACEHEADERS
  - rights identifier, 3-11
- NET\$TRACEHEADERSREMOTE
  - rights identifier, 3-11

- Network
  - address
    - autoconfiguring, 6-12
    - manually configuring, 6-13
  - configuring address, 6-12
  - starting after modifying configuration, 7-50
  - starting during initial configuration, 6-46
- Network configuration, 4-1
  - advanced, 6-1 to 6-49
  - basic, 6-1 to 6-49
  - fast, 5-1 to 5-4
  - link state routing, D-1 to D-7
  - modifying, 7-1 to 7-50
- Network Control Language
  - See* NCL
- Network service type
  - CLNS, 6-31, 6-34
  - CONS, 6-31, 6-35
  - RFC 1006, 6-31, 6-35
- Node full name, 6-6
- Node name
  - DECnet-Plus, 6-6
  - valid characters, 6-8
- Node synonym
  - default, 6-7
  - defined, 6-7
  - defining an alternate, B-4
  - directories, B-4
  - local aliases, B-4
  - Phase IV-compatible, 6-7
- Node type
  - specifying, 6-9
- NSAP, 6-11
- NSP transport
  - configuring, 6-26, 7-25
  - congestion avoidance, 6-30
  - flow control policy, 6-28
  - slow-speed connections, 6-31

## O

---

- OpenVMS Cluster performance monitor
  - See* VPM
- OpenVMS operating system
  - checking the version number, 1-3
  - requirements, 1-3
- OSAK
  - software installation
    - process account quotas, 12-6
- OSAK\$SERVER
  - calculating process account quota, 12-6
- OSAKserver
  - stopping, 13-4
- OSI applications
  - application entity database, 14-1
  - Authorize utility, 12-6
  - CD-ROM

- OSI applications
  - CD-ROM (cont'd)
    - kit location, 12-1
  - CD-ROM Reader, 12-3
  - configuring OSI applications, 14-1
  - de-installing, 13-11
  - disk space requirement, 12-4
  - files installed, 13-8
  - global pagelets, 12-4
  - global pages, 12-4
  - global sections, 12-4
  - hardware, 12-3
  - installation
    - installed files, 13-8
    - kit location, 12-1
    - notifying users, 12-6
    - starting, 13-1
    - time required, 12-3
  - installation procedure, 13-1 to 13-8
  - installation time, 12-3
  - installed files, 13-8
  - isoapplications database, 14-1
  - kit location, 12-1
  - license requirements, 12-3
  - memory requirements, 12-4
  - notifying users, 12-6
  - online release notes, 12-2
  - post-installation tasks, 14-1 to 14-9
    - configure OSI applications, 14-1
  - pre-installation
    - accessing the release notes, 12-2
    - disk space requirements, 12-4
    - notifying users, 12-6
  - prerequisite information
    - required hardware, 12-3
    - required software, 12-3
  - process account quotas, 12-5
  - product description, 12-1
  - release notes, 12-2
    - extracting to a file, 12-2
    - location, 12-2
  - required hardware, 12-3
  - required privileges, 12-5
  - required software, 12-3
  - software product description, 12-1
  - software required, 12-3
  - time for installation, 12-3
  - User Authorization File, 12-6
  - verification of
    - FTAM, 13-5
    - OSAK, 13-4
    - VT, 13-8
- osif\$configure, 13-5
- osif\$startup, 14-2
- OSI over TCP/IP
  - See* RFC 1006

- OSI router, non-DNA, 6-12
- OSI transport
  - configuring, 6-28, 7-25
  - configuring over X.25 CONS, C-1
  - congestion avoidance, 6-30
  - enabling over TCP/IP, 6-29
  - loopback test application account, 6-31
  - templates, 6-31

## P

---

- PCSI
  - process account quotas, 3-6, 10-4, 13-1
- Phase IV
  - address, 6-11
  - compatible synonym, 6-7
  - prefix, 6-11
- Phase IV addressing
  - enabling on routing circuits, 6-22
- Phase IV conversion options, 6-3
- Phase IV routing information, 6-10
- Prerequisite
  - backing up system disk, 1-9, 9-5, 12-6
  - disk space
    - DECnet-Plus, 1-5
    - OSI applications, 12-4
    - X.25 for OpenVMS, 9-4
  - informing users to log out, 1-9, 9-6, 12-6
  - required memory
    - DECnet-Plus, 1-5
    - OSI applications, 12-4
  - required privileges
    - DECnet-Plus, 1-8
    - OSI applications, 12-5
    - X.25 for OpenVMS, 9-5
  - rights identifiers
    - DECnet-Plus, 1-8
    - X.25 for OpenVMS, 9-5
  - software
    - DECnet-Plus, 1-3
    - OSI applications, 12-3
    - X.25 for OpenVMS, 9-3
  - system parameters
    - DECnet-Plus, 1-6
    - X.25 for OpenVMS, 9-5
  - TCP/IP software, 1-3
- Privileges
  - required for installation
    - DECnet-Plus, 1-8
    - OSI applications, 12-5
    - X.25 for OpenVMS, 9-5
  - required for X.25 configuration program (OpenVMS VAX), 8-4
  - required for X.25 CTP, 8-25
  - to run net\$configure, 1-8
  - psi\$configure, 8-4



PWIP interface, 1–3

## Q

---

### Quitting

from X.25 configuration program (OpenVMS VAX), 8–9

### Quota

required for X.25 CTP, 8–25  
verifying disk space, 1–5

## R

---

### Reachable address

configuring, 6–25  
prefix  
    configuring, 6–25

### Reconfiguration

devices, 7–24

### Registering a node

resolving problems, B–7

### Release Notes

DECnet-Plus, 1–2  
OSI applications, 12–2  
X.25 for OpenVMS, 9–2

reply command, 1–9, 9–6, 12–6

### RFC 1006

configuring, 6–29, 6–35  
configuring OSI templates for, 6–31

### Rights identifiers

added during installation  
    DECnet-Plus, 3–11  
NET\$DECLAREOBJECT, 3–11  
NET\$DECNETACCESS, 3–11  
NET\$DIAGNOSE, 3–11  
NET\$EXAMINE, 3–11  
NET\$MANAGE, 3–11  
NET\$POSTEVENT, 3–11  
NET\$REGISTERDNSOBJECT, 3–11  
NET\$SECURITY, 3–11  
NET\$TRACEALL, 3–11  
NET\$TRACEALLREMOTE, 3–11  
NET\$TRACEHEADERS, 3–11  
NET\$TRACEHEADERSREMOTE, 3–11  
required for installation  
    DECnet-Plus, 1–8  
    X.25 for OpenVMS, 9–5

Router, 6–12

Router type, 6–9

### Routing

DNA address format characteristic, 6–13  
integrated mode, 6–14  
link state protocol, 6–10  
segregated mode, 6–14

### Routing circuits

configuring, 6–21  
enabling Phase IV addressing, 6–22

### Routing information

specifying, 6–9

### Routing priority

specifying, 6–22

### Routing protocol

configuring, 6–34

### RPOA sequence number

X.25, 8–20

## S

---

### Satellite nodes

autoconfiguring, 7–41  
configuring, 7–40  
configuring from another node, 7–43

### Scripts

cluster-common, 7–44  
creating for site-specific search path, B–2  
NCL startup, 6–46, 7–49  
system-specific, 7–44  
user-defined, 7–50

### Search path, 6–5

creating site-specific script, B–2  
modifying information, B–1  
naming template support, B–3  
primary name service, 6–5  
secondary name service, 6–5  
setting up naming templates, B–3  
using to ease migration, B–2

### Segregated mode routing, 6–14

### Selection weight

configuring, 6–45

Session control address update interval, 6–8

Simple name, 6–7

### Software license

checking the version number, 1–4, 9–4, 12–4  
requirements  
    DECnet-Plus, 1–4  
    OSI applications, 12–3  
    X.25 for OpenVMS, 9–3

### Software requirements

DECnet-Plus, 1–3  
OSI applications, 12–3  
X.25 for OpenVMS, 9–3

### Starting

FTAM, 13–4  
OSAKserver, 13–4  
VT, 13–4  
X.25 configuration program (OpenVMS VAX),  
    8–4

### Startup scripts

cluster-common, 7–44  
generating, 6–46, 7–49  
system-specific, 7–44  
user-defined, 7–50

Static asynchronous data links, 6–18

- Stopping
  - FTAM, 13–4
  - OSAKserver, 13–4
  - VT, 13–4
- Summary display
  - after initial configuration, 6–45
  - after modifying current configuration, 7–48
- Switching of terminal line
  - DCL set terminal command, 6–20
  - to a DECnet line, 6–20
- SYS\$LIBRARY:DNS\$NS\_DEF\_FILE.DAT, 7–10
- SYSGEN utility
  - invoking, 1–8
  - setting parameters, 1–8
- System
  - configuring a namespace, 7–6
  - configuring a node name, 7–6
  - configuring a node synonym, 7–6
  - disk space requirements
    - DECnet-Plus, 1–5
    - OSI applications, 12–4
    - X.25 for OpenVMS, 9–4
  - memory requirements
    - DECnet-Plus, 1–5
    - OSI applications, 12–4
  - verifying disk space, 1–5
- System files
  - loaded during installation, A–1
- System parameters
  - modifying values, 1–8
  - requirements, 1–6
    - DECnet-Plus, 1–6
    - X.25 for OpenVMS, 9–5
  - requirements for cluster members, 1–8
  - values, 1–6
- System time
  - configuring, 7–27
  - configuring local, 7–28
  - configuring system
    - as UTC, 7–30
    - using established rules, 7–28
  - configuring UTC as local, 7–30

## T

---

- TCP/IP
  - DECnet and OSI applications over, 1–3
  - using DECnet over
    - See* RFC 1006
  - using OSI applications over
    - See* RFC 1006
- TDF
  - configuring, 7–27
  - definition, 7–27
- Testing
  - X.25, 8–25

- Time
  - configuring, 7–27
  - configuring local, 7–28
  - configuring system
    - as UTC, 7–30
    - using established rules, 7–28
  - configuring UTC as local, 7–30
- Time differential factor
  - See* TDF
- Time zone, 7–27
  - configuring differential factors, 6–36
  - rule
    - configuring, 7–27
    - conventional for region, 7–27
    - customizing, 7–31
    - format, 7–31
    - syntax, 7–31
- TP0
  - configuring, 6–33
- TP2
  - configuring, 6–33
- TP4
  - configuring, 6–33
- Transport
  - configuring NSP, 7–25
  - configuring OSI, 7–25
- Transport protocol classes
  - configuring, 6–33
- Transports
  - configuring, 6–26 to 6–36
- Type of network service
  - CLNS, 6–31, 6–34
  - CONS, 6–31, 6–35
  - RFC 1006, 6–31, 6–35
- TZR
  - configuring, 7–27
  - conventional for region, 7–27
  - customizing, 7–31
  - definition, 7–27
  - format, 7–31
  - syntax, 7–31

## U

---

- User-defined NCL scripts, 7–50
- UTC
  - definition, 7–27
  - relationship to GMT, 7–27

## V

---

- Valid characters
  - for namespace nickname, 6–6, 6–8
- VAX P.S.I.
  - See* X.25 (OpenVMS VAX)

VMScluster performance monitor

*See* VPM

VPM account

configuring, 6–41

VT

stopping, 13–4

vt\_start, 14–2

## W

---

WANDD devices

configuring, 6–15

configuring (Alpha system), 6–16

configuring (I64 system), 6–16

configuring (VAX system), 6–16

WAN DECdns namespace

joining, 7–10

WANrouter, 6–12

Worksheet

Address Format, 14–8

## X

---

X.25

Configuration Test Procedure

*See* X.25 (OpenVMS VAX), CTP

configuring DECnet over X.25, 6–23

Remote Address Prefix

*See* X.25 (OpenVMS VAX), RAP

X.25 (OpenVMS I64/Alpha)

AUTHORIZE utility, 10–4

CD Reader, 9–3

CD-ROM

kit location, 9–1

configuring DECnet over X.25, 11–1

configuring X.25, 11–1

DECnet-Plus

restarting, 11–2

de-installing, 11–2

disk space requirement, 9–4

example installation, 10–4

files installed, 10–10

hardware, 9–3

installation

installed files, 10–10

kit location, 9–1

notifying users, 9–6

prompt and response sequence example,  
10–4

registering the license, 9–3

installation procedure, 10–1 to 10–9

installation time, 9–3

installed files, 10–10

kit location, 9–1

License Management Facility, 9–3

license Product Authorization Key, 9–3

license registration, 9–3

X.25 (OpenVMS I64/Alpha) (cont'd)

notifying users, 9–6

online release notes, 9–2

POLYCENTER Software Installation utility,  
9–3

post-installation tasks, 11–1 to 11–2

configure X.25, 11–1

rebooting the system, 11–2

restart DECnet-Plus, 11–2

starting X.25, 11–2

pre-installation

accessing the release notes, 9–2

disk space requirements, 9–4

notifying users, 9–6

prerequisite information

required hardware, 9–3

required software, 9–3

synchronous interface card, 9–3

process account quotas, 10–4

product description, 9–1

rebooting the system, 11–2

release notes, 9–2

extracting to a file, 9–2

location, 9–2

required hardware, 9–3

required licenses, 9–4

required software, 9–3

restarting DECnet-Plus, 11–2

software product description, 9–1

software required, 9–3

starting, 11–2

System Support Addendum, 9–3

time for installation, 9–3

User Authorization File, 10–4

X.25 (OpenVMS VAX)

application, 8–11, 8–18

command file, 8–11, 8–18

filters, 8–11

incoming calls to, 8–11

name, 8–18

security, 8–21

type, 8–18

user name, 8–11, 8–18

X.25, 8–11

X.29, 8–11

applications, 8–10

BCUG, 8–10

call characteristics, 8–11

call data, 8–20

call data mask, 8–19

call data value, 8–19

called address extension

mask, 8–19

value, 8–19

called NSAP

filters, 8–19

calling address extension, 8–20

channel number

- X.25 (OpenVMS VAX)
  - channel number (cont'd)
    - PVCs, 8-15
  - character-mode
    - terminals, 8-11
  - charging information, 8-20
  - client filters, 8-11
  - client systems
    - security, 8-24
  - configuration
    - information you need to supply, 8-13
    - planning, 8-2
    - verifying, 8-25
  - configuration program
    - data entry mode, 8-5
    - entering information, 8-4
    - exiting from, 8-9
    - help, 8-8
    - help on specific fields, 8-8
    - horizontal scrolling, 8-4
    - insert mode, 8-5
    - invoking, 8-4
    - keys used in, 8-4, 8-5
    - moving between sections, 8-5
    - optional sections, 8-4
    - overstrike mode, 8-5
    - privileges required, 8-4
    - quitting from, 8-9
    - reviewing information, 8-5
    - scrolling, horizontal, 8-4
    - sections in, 8-4, 8-9
  - configuring
    - client systems, 8-2
    - connector systems, 8-2
    - direct connect systems, 8-2
  - CTP, 8-25
    - as a network object, 8-26
    - preparations, 8-25
    - privileges required, 8-25
    - quotas required, 8-25
    - receive only mode, 8-26
    - running interactively, 8-26
    - send/receive mode, 8-26
    - testing to remote system, 8-26
  - CUG, 8-10, 8-11
    - number, 8-15
  - declaring a network process, 8-10, 8-12, 8-18
  - destination DTE address
    - templates, 8-20
  - device, 8-13
  - DTE address, 8-13
    - LLC2, 8-16
  - DTE class, 8-14
    - filters, 8-19
    - remote, 8-10, 8-11, 8-17
    - templates, 8-20
  - DTE name, 8-13
    - LLC2, 8-16
- X.25 (OpenVMS VAX)
  - DTE name (cont'd)
    - PVCs, 8-15
  - DTE status
    - checking, 8-26
  - dynamic filters, 8-12
    - name, 8-18
  - end-to-end delay, 8-20
  - expedited data, 8-20
  - extended frame sequence numbering, 8-14
  - extended packet sequence numbering, 8-13
  - fast select, 8-20
  - filter, 8-11, 8-19
    - application, 8-11
    - call data mask, 8-19
    - call data value, 8-19
    - called address extension mask, 8-19
    - called address extension value, 8-19
    - called NSAP, 8-19
    - DTE class, 8-19
    - dynamic, 8-12, 8-18
    - group, 8-19
    - incoming DTE address, 8-19
    - network processes, 8-12
    - originally called address, 8-19
    - priority, 8-11, 8-19
    - receiving DTE address, 8-19
    - redirect reason, 8-19
    - sending DTE address, 8-19
    - static, 8-12, 8-18
    - subaddress range, 8-19
    - unspecified parameters, 8-11
  - flow control
    - negotiation, 8-13
  - group, 8-10, 8-11, 8-15
    - filters, 8-19
    - name, 8-15
    - remote DTE address, 8-15
    - type, 8-15
  - help
    - general, 8-8
    - leaving, 8-8
  - incoming DTE address, 8-19
  - incoming security
    - applications, 8-10, 8-21
    - server clients, 8-10, 8-23
  - keys used in configuration program, 8-5
  - LAN device, 8-16
  - licenses
    - VAX, 8-2
  - lines and DTEs, 8-10, 8-13
  - line speed, 8-13
  - LLC2, 8-10, 8-11, 8-16
    - DTEs, 8-11
  - local facilities, 8-20
  - local processes
    - security, 8-22
  - local subaddress, 8-20

## X.25 (OpenVMS VAX) (cont'd)

- logical channel, 8-13
  - LLC2, 8-16
- LSAP
  - local, 8-16
  - remote, 8-16
- Mail, 8-11, 8-17
  - OpenVMS, 8-11
  - P.S.I., 8-10
- NCL
  - scripts, 8-8, 8-10, 8-13, 8-22
    - failure to create, 8-9
- negotiation
  - flow control, 8-13
- network process, 8-10, 8-12, 8-18
  - filters, 8-12
  - security, 8-23
- network user identity, 8-20
- NSAP mapping, 8-20
- options menu, 8-6
  - Add, 8-7
  - adding information, 8-6
  - changing information, 8-6
  - Continue, 8-7
  - Delete, 8-7
  - go to sections menu, 8-7
  - Modify, 8-7
  - sections menu, 8-7
- originally called address, 8-19
- outgoing security
  - client systems, 8-10
  - client Systems, 8-24
  - local processes, 8-10, 8-22
- P.S.I. Mail, 8-10
- packet size, 8-13
  - LLC2, 8-16
  - PVCs, 8-15
  - templates, 8-20
- profile, 8-13
- psi\$configure, 8-27
- psi\$configure, 8-4, 8-27
- psi\$ctp, 8-26
- psi\$ctp\_add\_netobj, 8-26
- psi\$ctp\_rem\_netobj, 8-26
- PVC, 8-10, 8-15
  - channel number, 8-15
  - DTE name, 8-15
  - name, 8-15
  - packet size, 8-15
  - security, 8-22, 8-24
  - window size, 8-15
- \$QIO(IO\$\_ACPCONTROL), 8-12
- quality of service, 8-20
- RAP, 8-21, 8-22, 8-23, 8-24
- receiving DTE address, 8-19
- redirect reason, 8-19
- remote DTE
  - class, 8-10, 8-11, 8-17

## X.25 (OpenVMS VAX) (cont'd)

- remote MAC address, 8-16
- reverse charging, 8-20
- RPOA sequence number, 8-20
- security, 8-12
  - incoming, applications, 8-10, 8-21
  - incoming, server clients, 8-10, 8-23
  - network processes, 8-23
  - outgoing, client systems, 8-10, 8-24
  - outgoing, local processes, 8-10, 8-22
  - PVCs, 8-22, 8-24
- selected group, 8-20
- sending DTE address, 8-19
- server clients, 8-10
  - nodes, 8-17
  - security, 8-23
  - systems, 8-11
- static filters, 8-12, 8-18
- subaddress
  - range, 8-19
- SVC, 8-10
- target address extension, 8-20
- template, 8-10, 8-12, 8-20
  - call data, 8-20
  - calling address extension, 8-20
  - charging information, 8-20
  - 'Default', 8-12
  - destination DTE address, 8-20
  - DTE class, 8-20
  - end-to-end delay, 8-20
  - expedited data, 8-20
  - fast select, 8-20
  - local facilities, 8-20
  - local subaddress, 8-20
  - network user identity, 8-20
  - NSAP mapping, 8-20
  - packet size, 8-20
  - quality of service, 8-20
  - reverse charging, 8-20
  - RPOA sequence number, 8-20
  - selected group, 8-20
  - target address extension, 8-20
  - throughput class request, 8-20
  - transit delay selection, 8-20
  - window size, 8-20
- terminology, 8-1
- testing, 8-25
- throughput class request, 8-20
- transit delay selection, 8-20
- types of system, 8-2
- verifying configuration, 8-25
- window size
  - LLC2, 8-16
  - packet level, 8-14
  - PVCs, 8-15
  - templates, 8-20
- X.25 applications, 8-11
- X.29 applications, 8-11

- X.25 (OpenVMS VAX) (cont'd)
  - X.29 support, 8-10, 8-11, 8-17
- X.25 access template
  - configuring, 6-24
- X.25 CONS
  - configuring OSI transport over, C-1
- X.25 routing circuit types
  - dynamic assigned (DA), 6-23
  - permanent (PVC), 6-24
  - static incoming (IN), 6-23
  - static outgoing (OUT), 6-23
- X.500 Configuration checklist, 14-7